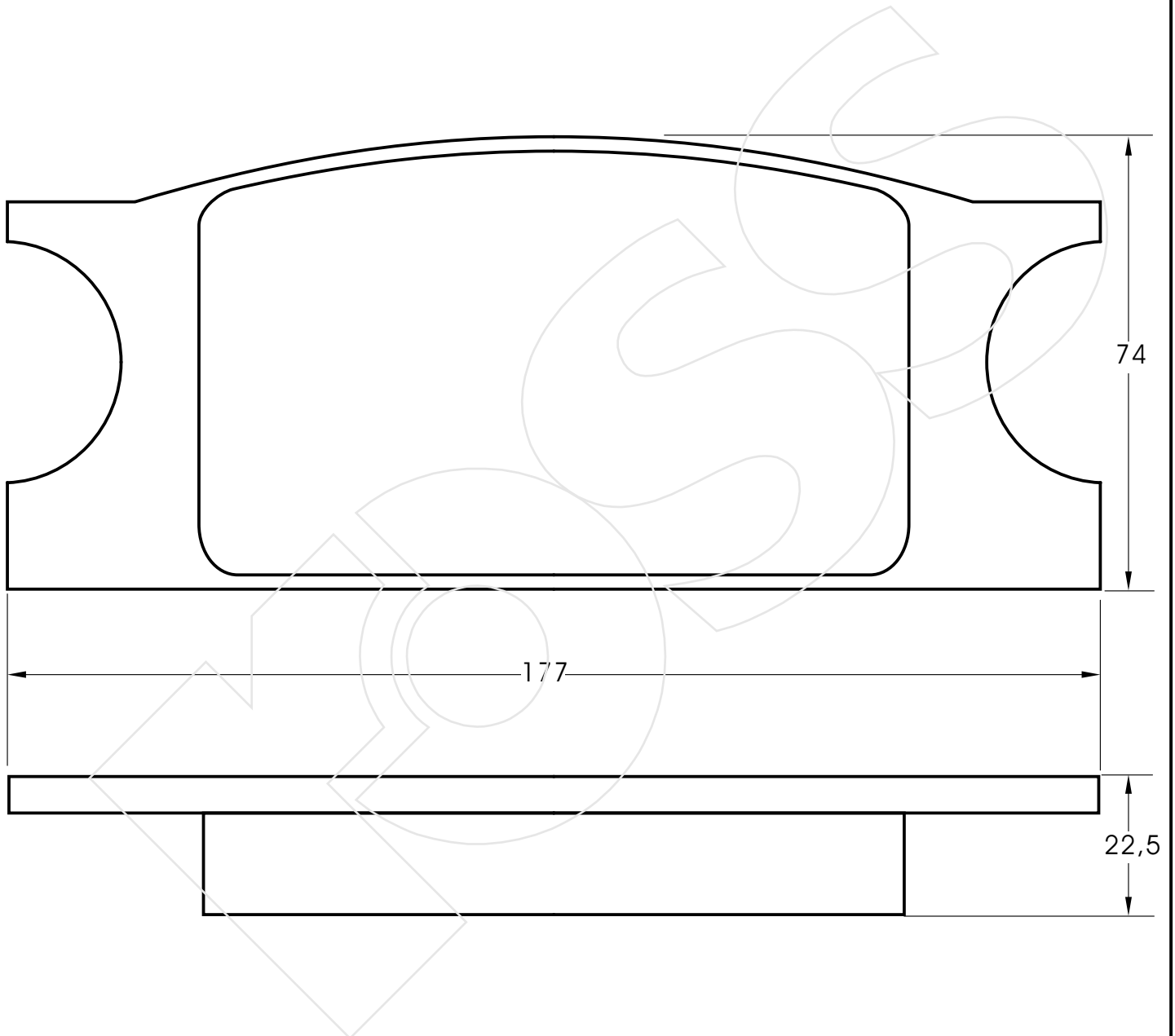
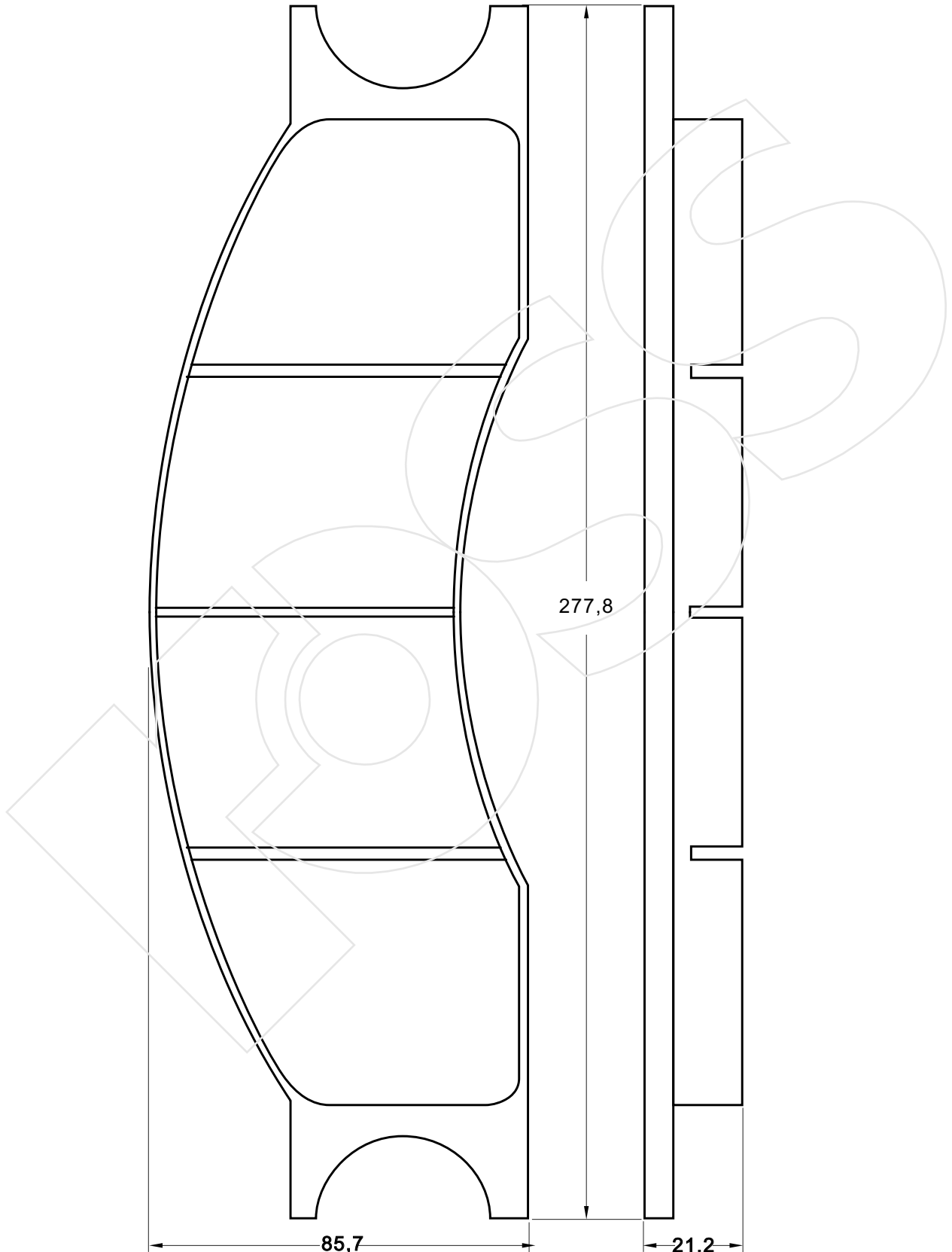


CODICE	IMPIANTO		ASSE	SCALA	APPLICAZIONI
R-5219	CRL		ANTERIORE	100%	VOLVO KAVASAKI JCB FURUKAWA CATERPILLAR CASE BONSER
CODICE COMPONENTI	N°	L(mm)	SERIE		
*	*	*	1 PEZZO		
*	*	*			
*	*	*			
CODICE ACCESSORI	N°	L(mm)	NOTE		
*	*	*			
*	*	*			
*	*	*			
*	*	*			



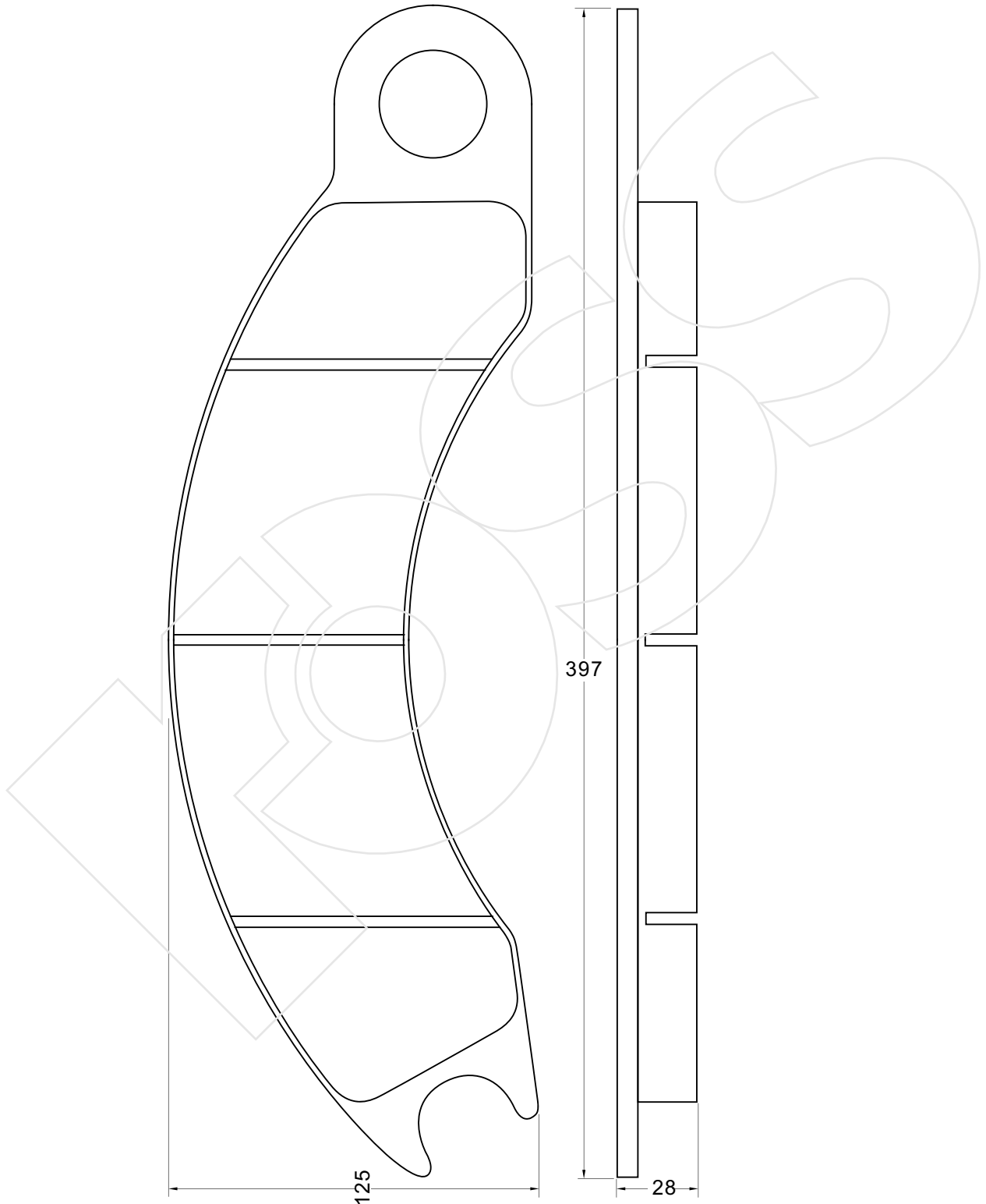
Reference in this Catalogue to other manufactures and to part numbers and other descriptions are for identification purposes only, because the above DISC BRAKE PADS are NOT ORIGINAL but with these interchangeable.

CODICE	IMPIANTO		ASSE	SCALA	APPLICAZIONI
R-5220	CRL		ANTERIORE	78%	FIAT VOLVO KAVASAKI JCB GROOT MODEL FURUKAWA FRISCH SHOEL FAUN FRISCH EIMCO CLARK MICHIGAN CATERPILLAR CASE BOLINDER MUNKTEL AVELING BARFORD
CODICE COMPONENTI	N°	L(mm)	SERIE		
*	*	*	1 PEZZO		
*	*				
*	*				
CODICE ACCESSORI	N°	L(mm)	NOTE		
*	*				
*	*				
*	*				
*	*				



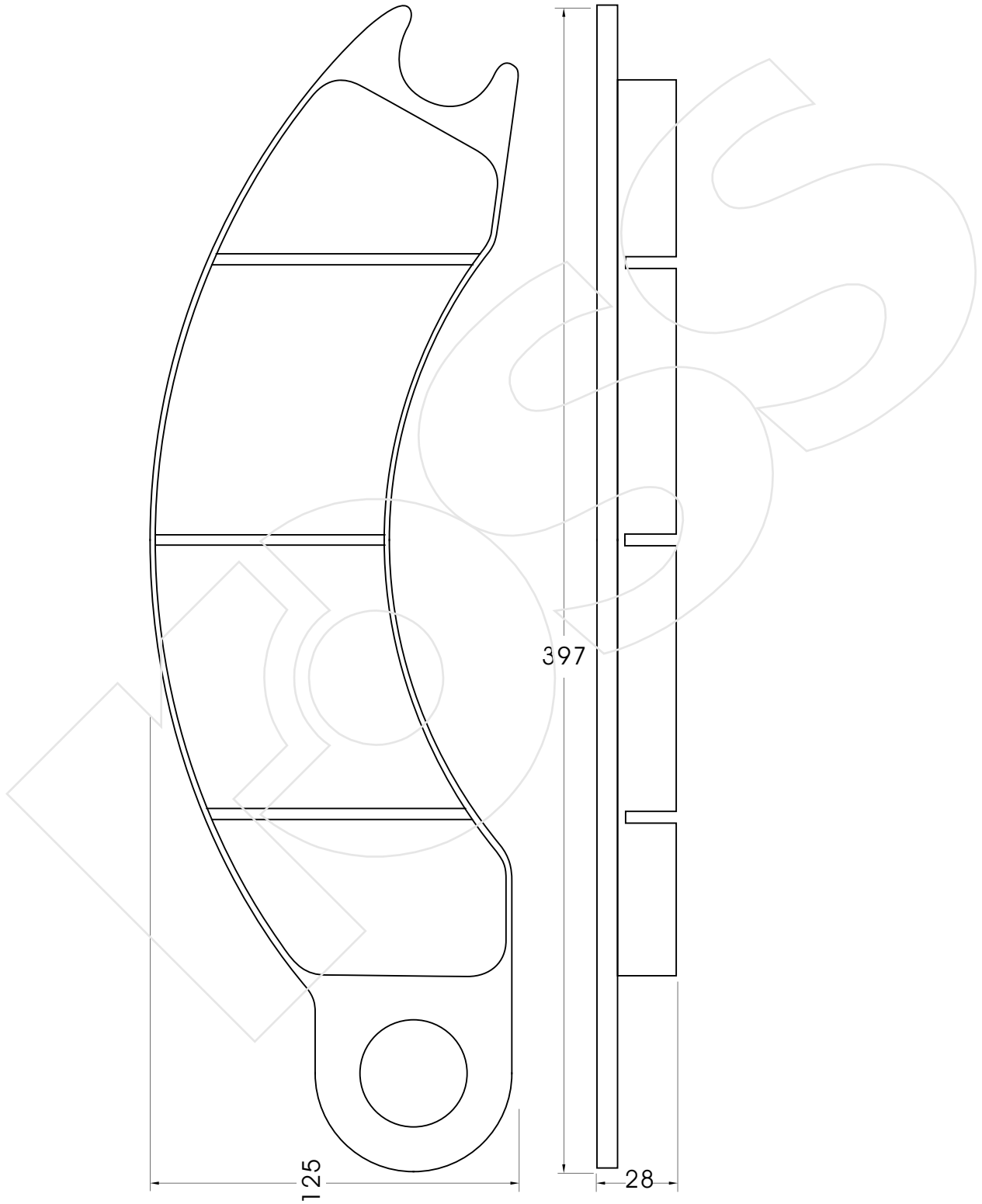
Reference in this Catalogue to other manufactures and to part numbers and other descriptions are for identification purposes only, because the above DISC BRAKE PADS are NOT ORIGINAL but with these interchangeable.

CODICE	IMPIANTO		ASSE	SCALA	APPLICAZIONI
R-5221	CRL		ANTERIORE	50%	CATERPILLAR EUCLID WAGNER KOMATSU
CODICE COMPONENTI	N°	L(mm)	SERIE		
*	*	*	1 PEZZO R-5221		
*	*	*	1 PEZZO R-5222		
*	*	*			
CODICE ACCESSORI	N°	L(mm)	NOTE		
*	*	*			
*	*	*			
*	*	*			
*	*	*			



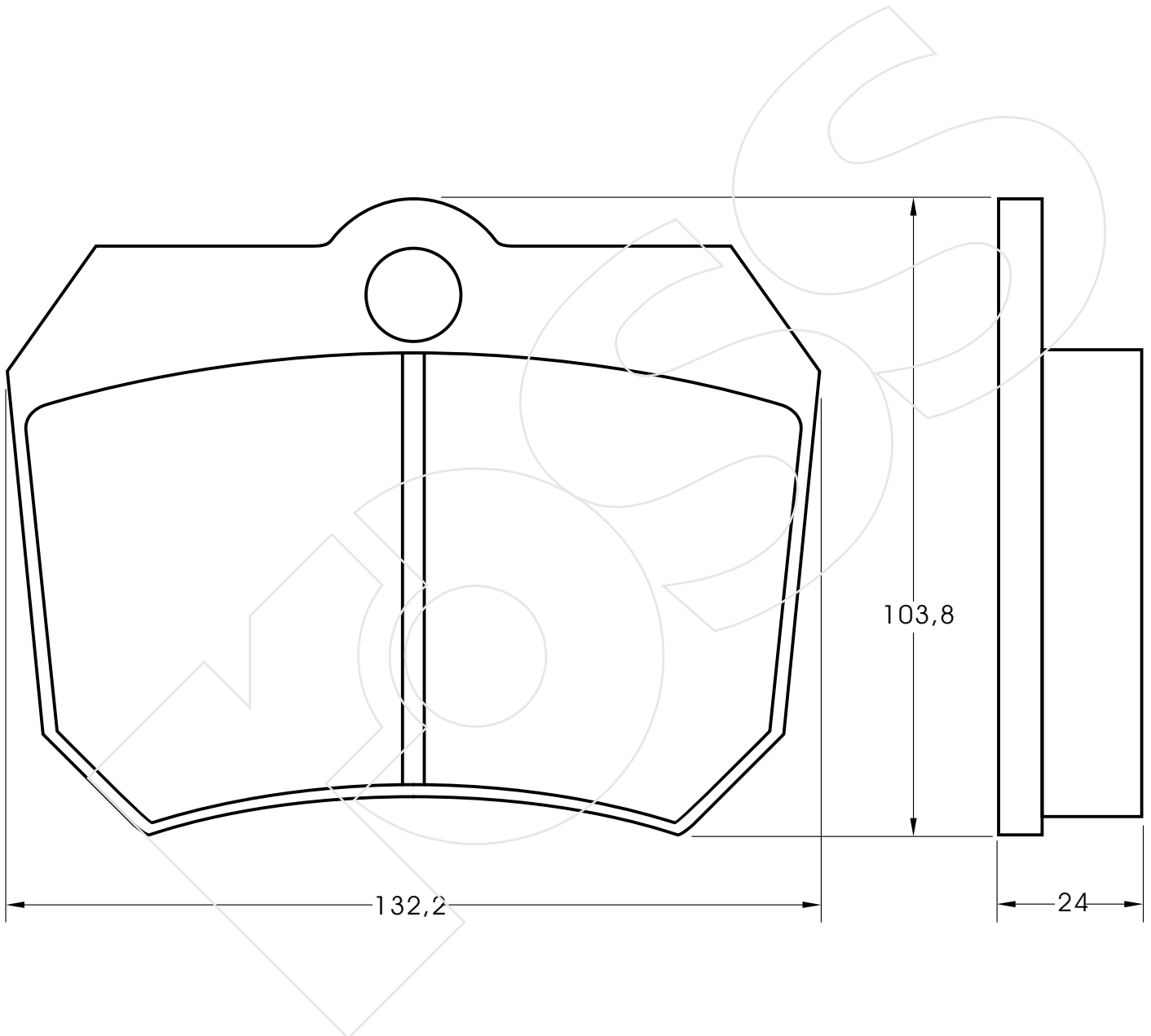
Reference in this Catalogue to other manufactures and to part numbers and other descriptions are for identification purposes only, because the above DISC BRAKE PADS are NOT ORIGINAL but with these interchangeable.

CODICE	IMPIANTO		ASSE	SCALA	APPLICAZIONI
R-5222	CRL		ANTERIORE	50%	CATERPILLAR EUCLID WAGNER KOMATSU
CODICE COMPONENTI	N°	L(mm)	SERIE		
*	*	*	1 PEZZO R-5221		
*	*	*	1 PEZZO R-5222		
*	*	*			
CODICE ACCESSORI	N°	L(mm)	NOTE		
*	*	*			
*	*	*			
*	*	*			
*	*	*			



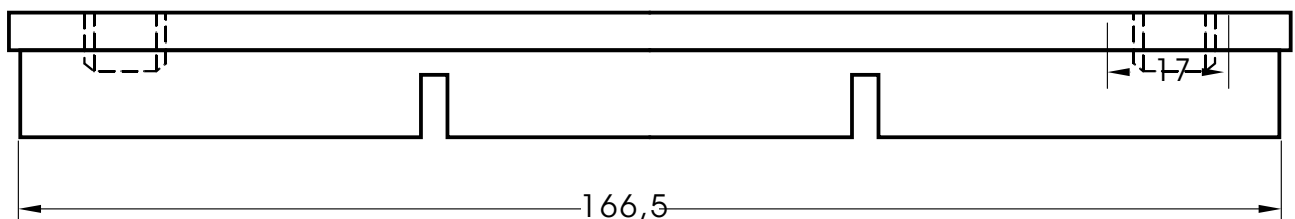
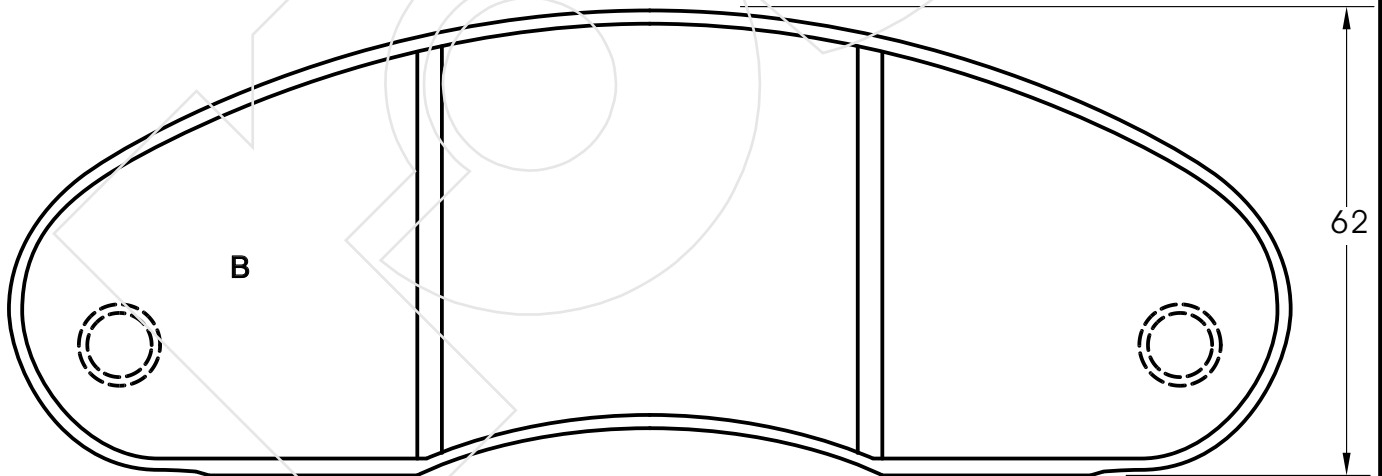
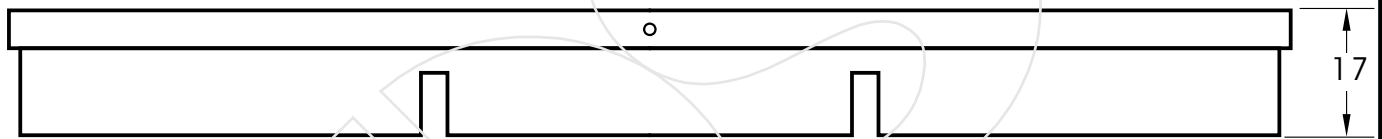
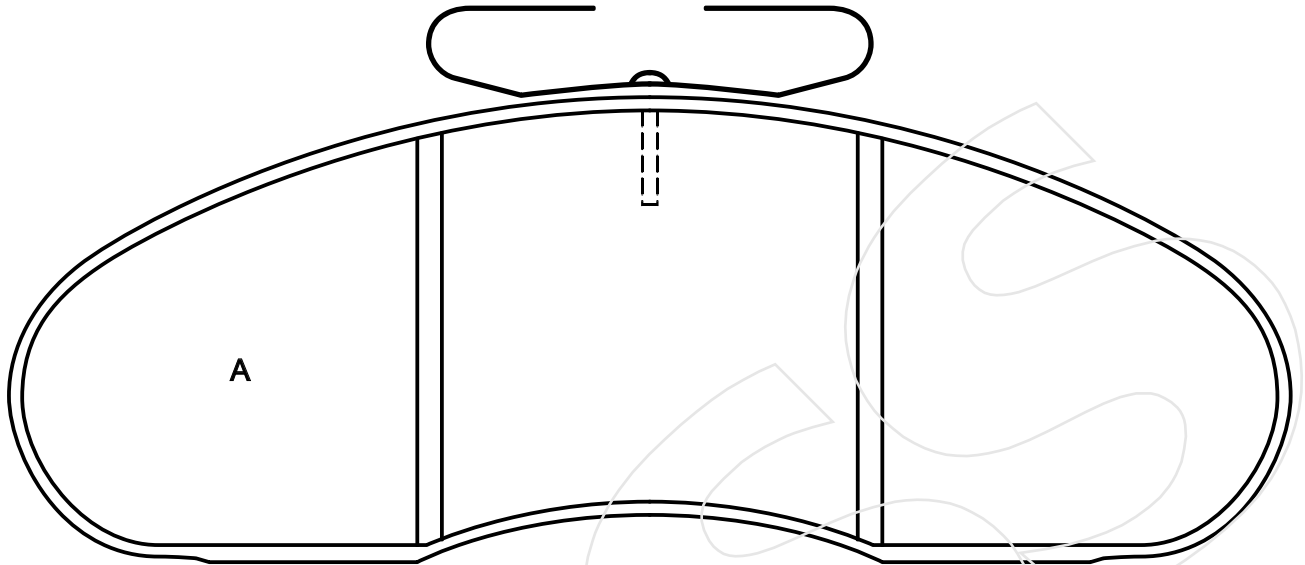
Reference in this Catalogue to other manufactures and to part numbers and other descriptions are for identification purposes only, because the above DISC BRAKE PADS are NOT ORIGINAL but with these interchangeable.

CODICE	IMPIANTO	ASSE	SCALA	APPLICAZIONI
R-5223	PERROT	ANTERIORE	1:1	PERROT MASSEY FERGUSSON FRISC SHOVEL
CODICE COMPONENTI	N°	L(mm)	SERIE	
*	*	*	4 PEZZI	
*	*			
*	*			
CODICE ACCESSORI	N°	L(mm)	NOTE	
*	*			
*	*			
*	*			



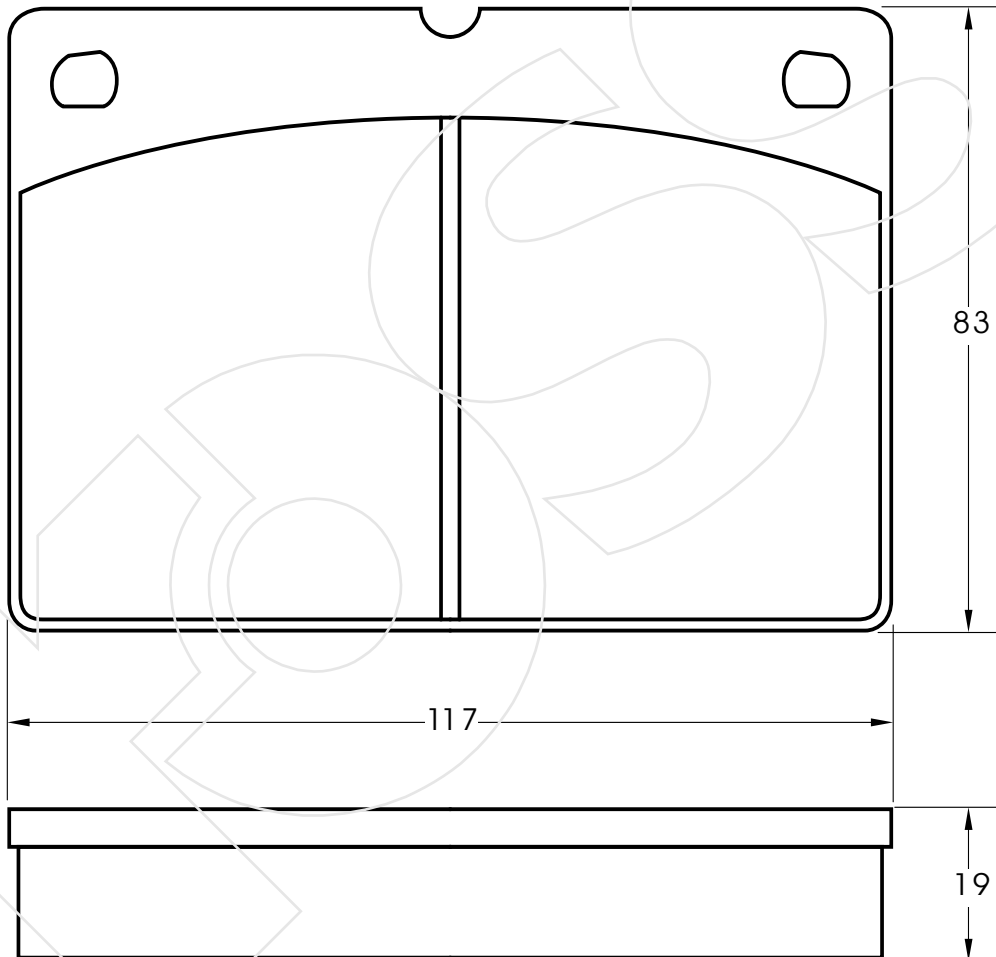
Reference in this Catalogue to other manufactures and to part numbers and other descriptions are for identification purposes only, because the above DISC BRAKE PADS are NOT ORIGINAL but with these interchangeable.

CODICE	IMPIANTO		ASSE	SCALA	APPLICAZIONI
R-5224	BENDIX*		ANTERIORE	1:1	MERCEDES
CODICE COMPONENTI	N°	L(mm)	SERIE		
M0085+P1008	2+2		2 PEZZI TIPO A 2 PEZZI TIPO B		
CODICE ACCESSORI	N°	L(mm)	NOTE		
*	*				
*	*				
*	*				
*	*				



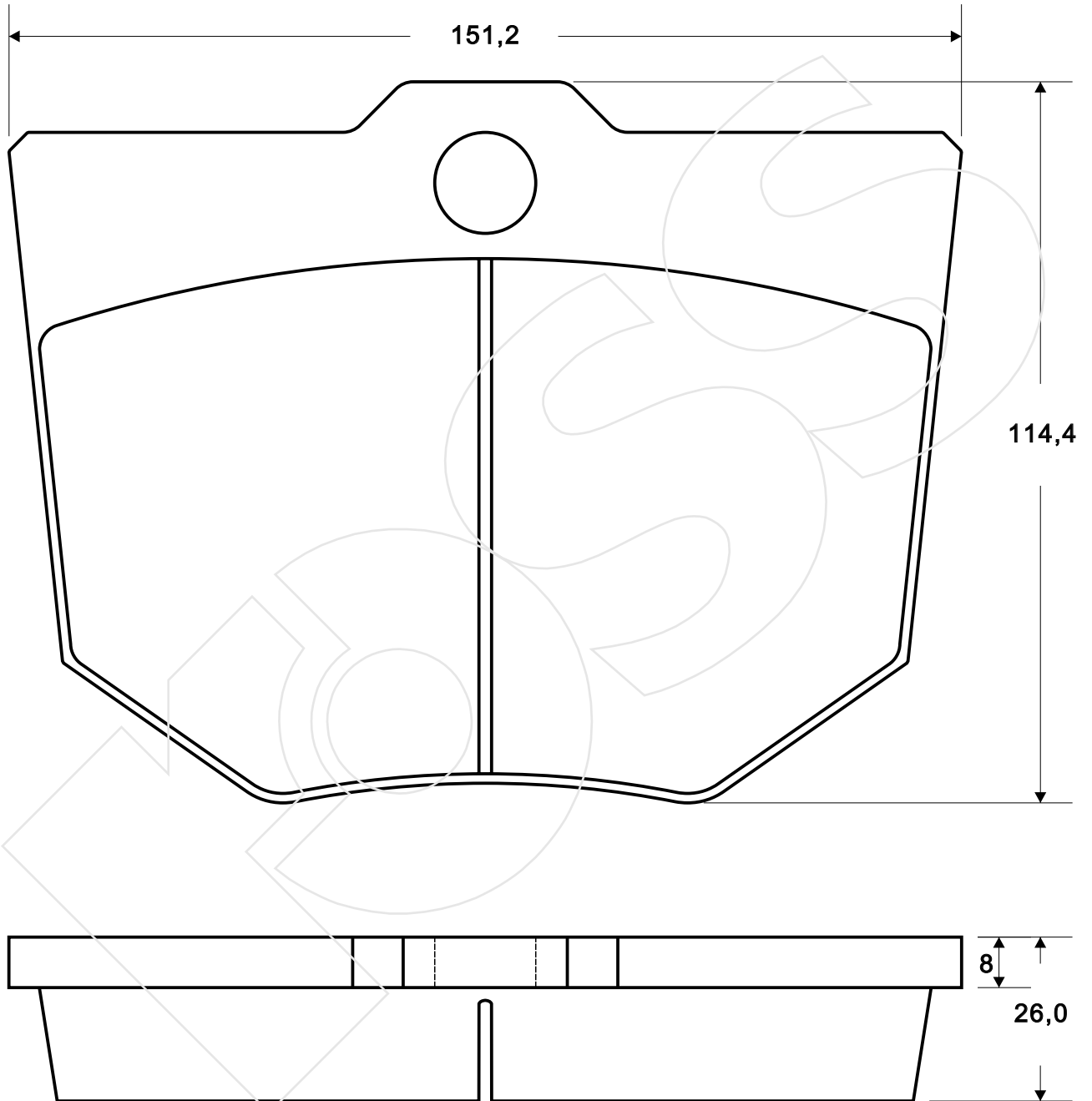
Reference in this Catalogue to other manufactures and to part numbers and other descriptions are for identification purposes only, because the above DISC BRAKE PADS are NOT ORIGINAL but with these interchangeable.

CODICE	IMPIANTO	ASSE	SCALA	APPLICAZIONI
R-5225	BREMBO	ANTERIORE	1:1	MENARINI ROSSI
CODICE COMPONENTI	N°	L(mm)	SERIE	
*	*	*	4 PEZZI	
*	*			
*	*			
CODICE ACCESSORI	N°	L(mm)	NOTE	
*	*			
*	*			
*	*			



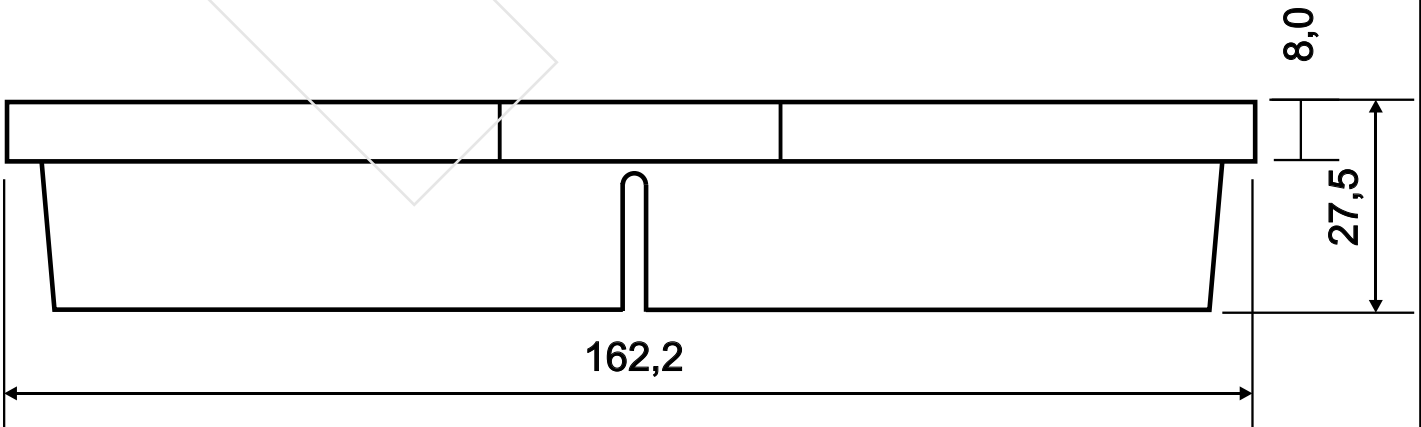
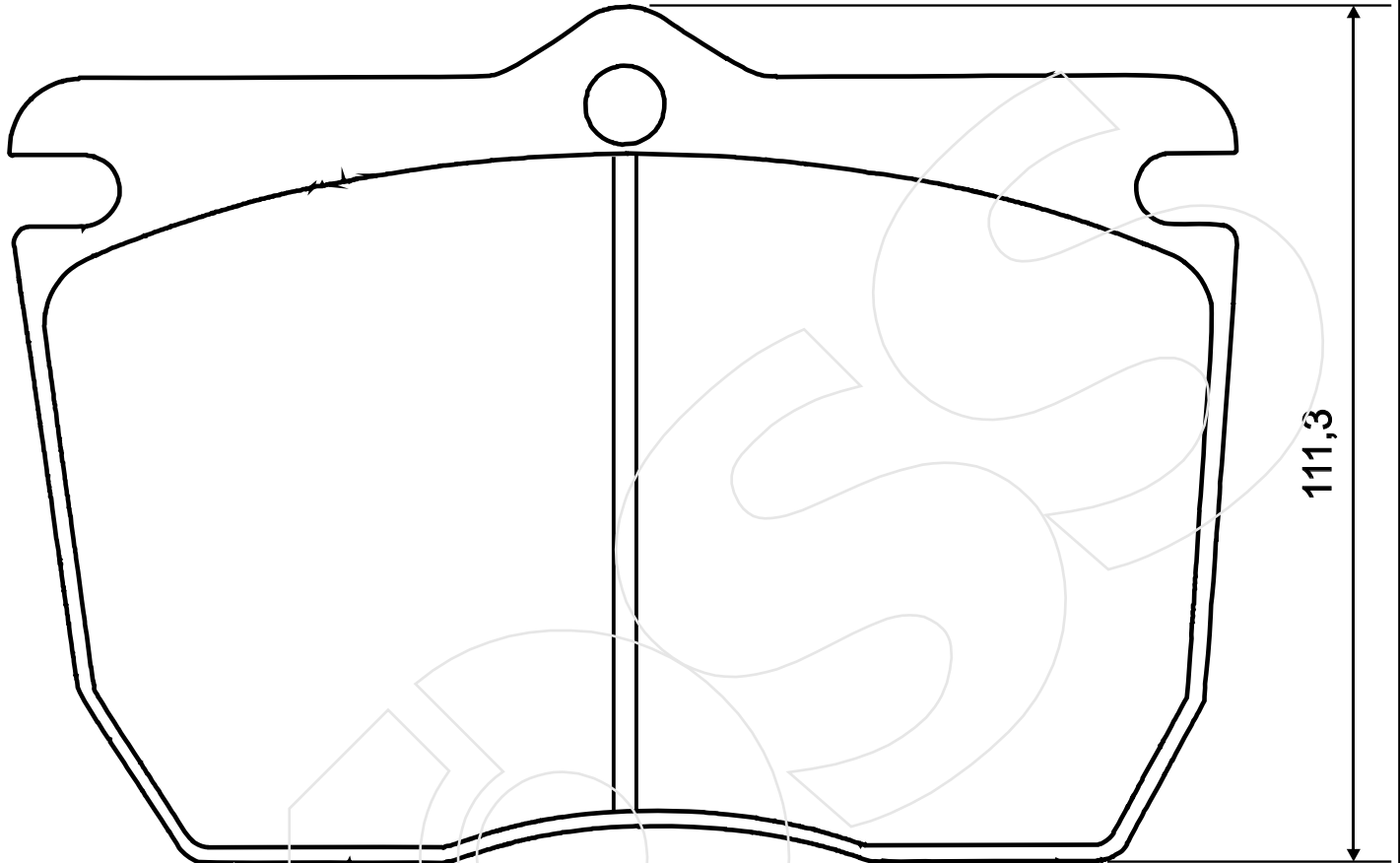
Reference in this Catalogue to other manufactures and to part numbers and other descriptions are for identification purposes only, because the above DISC BRAKE PADS are NOT ORIGINAL but with these interchangeable.

CODICE	IMPIANTO		ASSE	SCALA	APPLICAZIONI
R-5226	PERROT		ANTERIORE	1:1	HANOMAG LIENHERR
CODICE COMPONENTI	N°	L(mm)	SERIE		
*	*	*	4 PEZZI		
*	*				
*	*				
CODICE ACCESSORI	N°	L(mm)	NOTE		
*	*				
*	*				
*	*				
*	*				



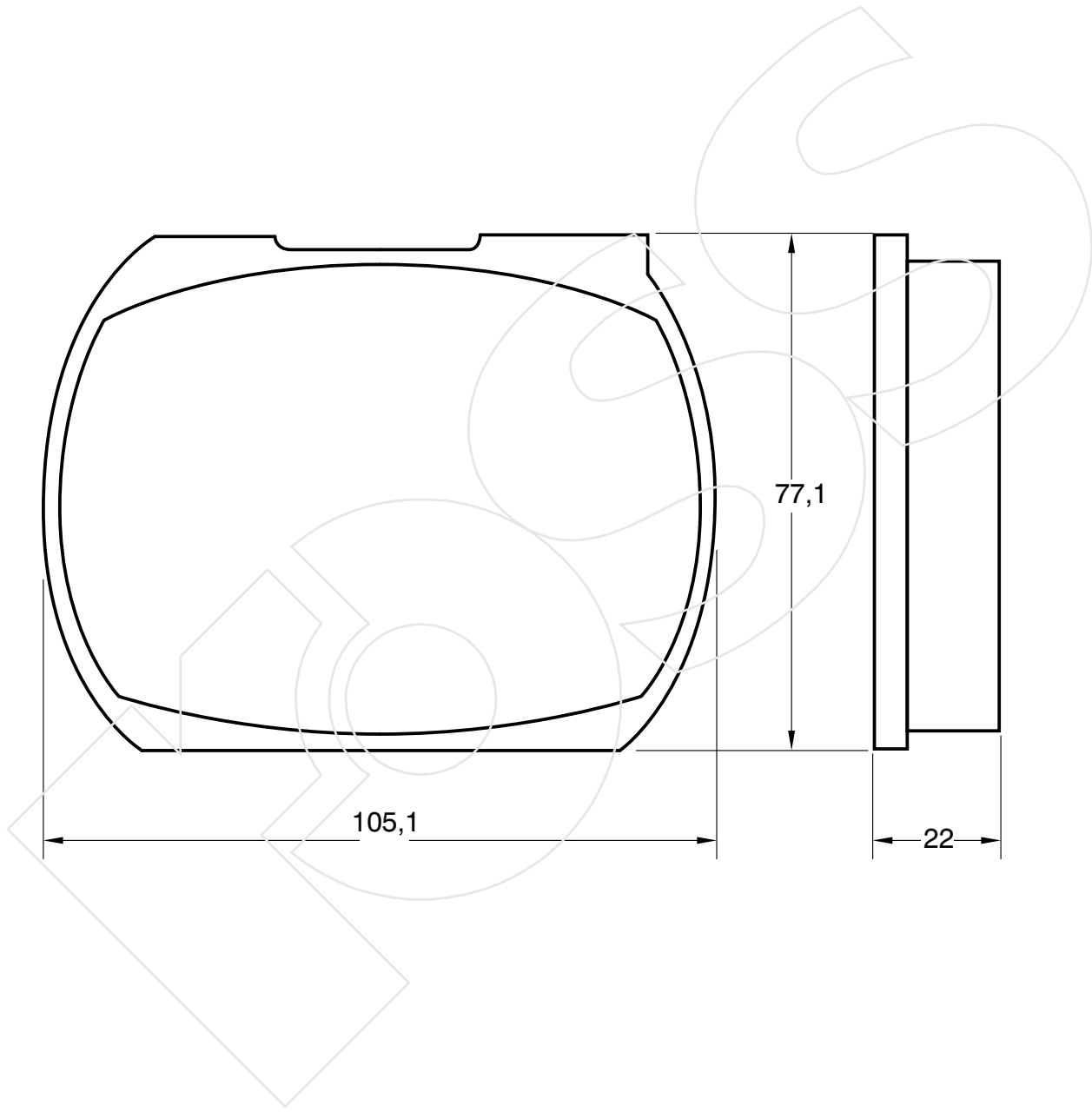
Reference in this Catalogue to other manufactures and to part numbers and other descriptions are for identification purposes only, because the above DISC BRAKE PADS are NOT ORIGINAL but with these interchangeable.

CODICE	IMPIANTO	ASSE	SCALA	APPLICAZIONI
R-5227	PERROT	ANTERIORE	1:1	HANOMAG INBUS KÄSSBOHRER MENARINI
CODICE COMPONENTI	N°	L(mm)	SERIE	
*	*	*	8 PEZZI	
*	*			
*	*			
CODICE ACCESSORI	N°	L(mm)	NOTE	
*	*			
*	*			
*	*			



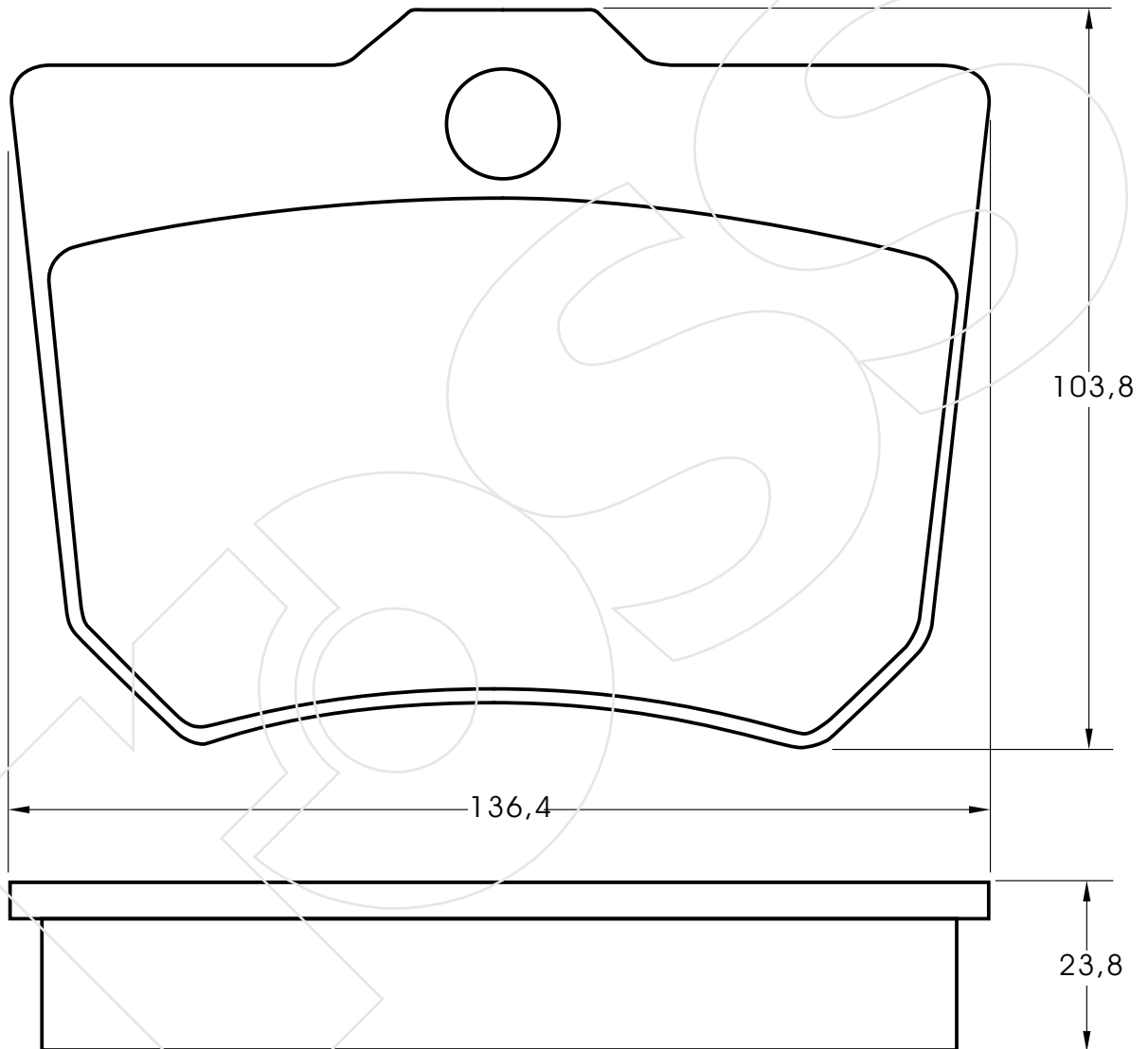
Reference in this Catalogue to other manufactures and to part numbers and other descriptions are for identification purposes only, because the above DISC BRAKE PADS are NOT ORIGINAL but with these interchangeable.

CODICE	IMPIANTO		ASSE	SCALA	APPLICAZIONI
R-5228			ANTERIORE	1:1	LANDINI MASSEY-FERGUSON MICHIGAN IHC KOCKOM
CODICE COMPONENTI	N°	L(mm)	SERIE		
*	*	*	4 PEZZI		
*	*				
*	*				
CODICE ACCESSORI	N°	L(mm)	NOTE		
*	*				
*	*				
*	*				



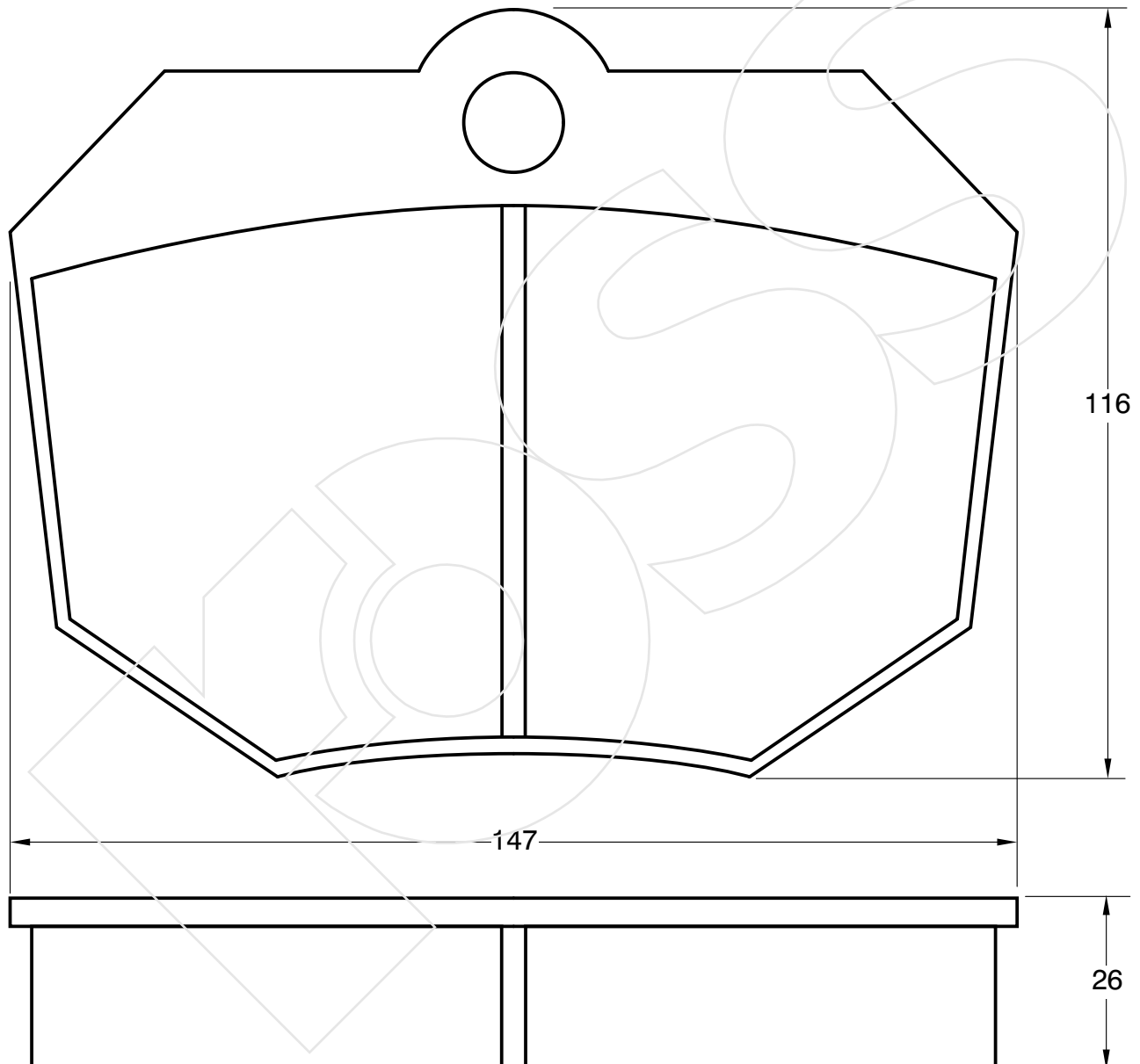
Reference in this Catalogue to other manufactures and to part numbers and other descriptions are for identification purposes only, because the above DISC BRAKE PADS are NOT ORIGINAL but with these interchangeable.

CODICE	IMPIANTO		ASSE	SCALA	APPLICAZIONI
R-5229	PERROT		ANTERIORE	1:1	MASSEY FERGUSSON INTERNATIONAL HARVESTER FRISC SHOVEL CASE
CODICE COMPONENTI	N°	L(mm)	SERIE		
*	*	*	4 PEZZI		
*	*				
*	*				
CODICE ACCESSORI	N°	L(mm)	NOTE		
*	*				
*	*				
*	*				
*	*				



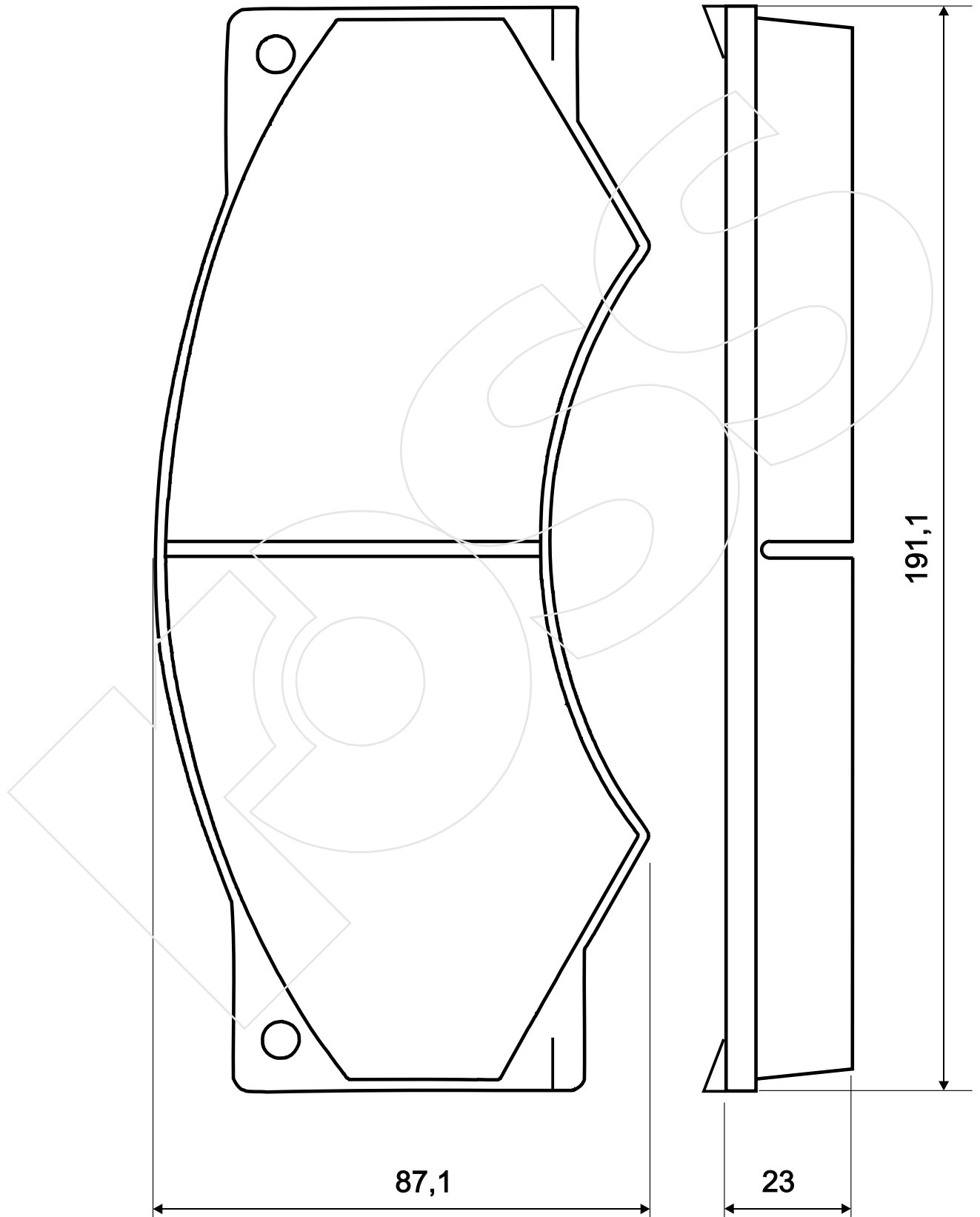
Reference in this Catalogue to other manufactures and to part numbers and other descriptions are for identification purposes only, because the above DISC BRAKE PADS are NOT ORIGINAL but with these interchangeable.

CODICE	IMPIANTO		ASSE	SCALA	APPLICAZIONI
R-5230	PERROT		ANTERIORE	1:1	PERROT OM
CODICE COMPONENTI	N°	L(mm)	SERIE		
*	*	*	4 PEZZI		
*	*				
*	*				
CODICE ACCESSORI	N°	L(mm)	NOTE		
*	*				
*	*				
*	*				
*	*				



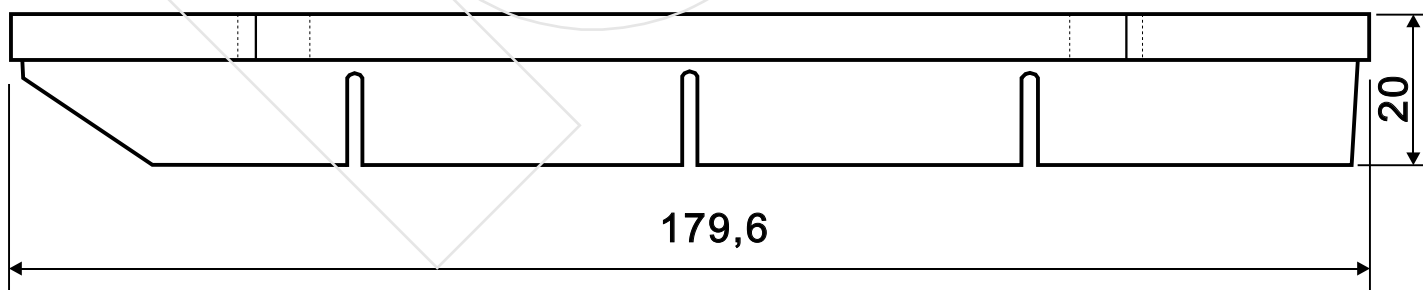
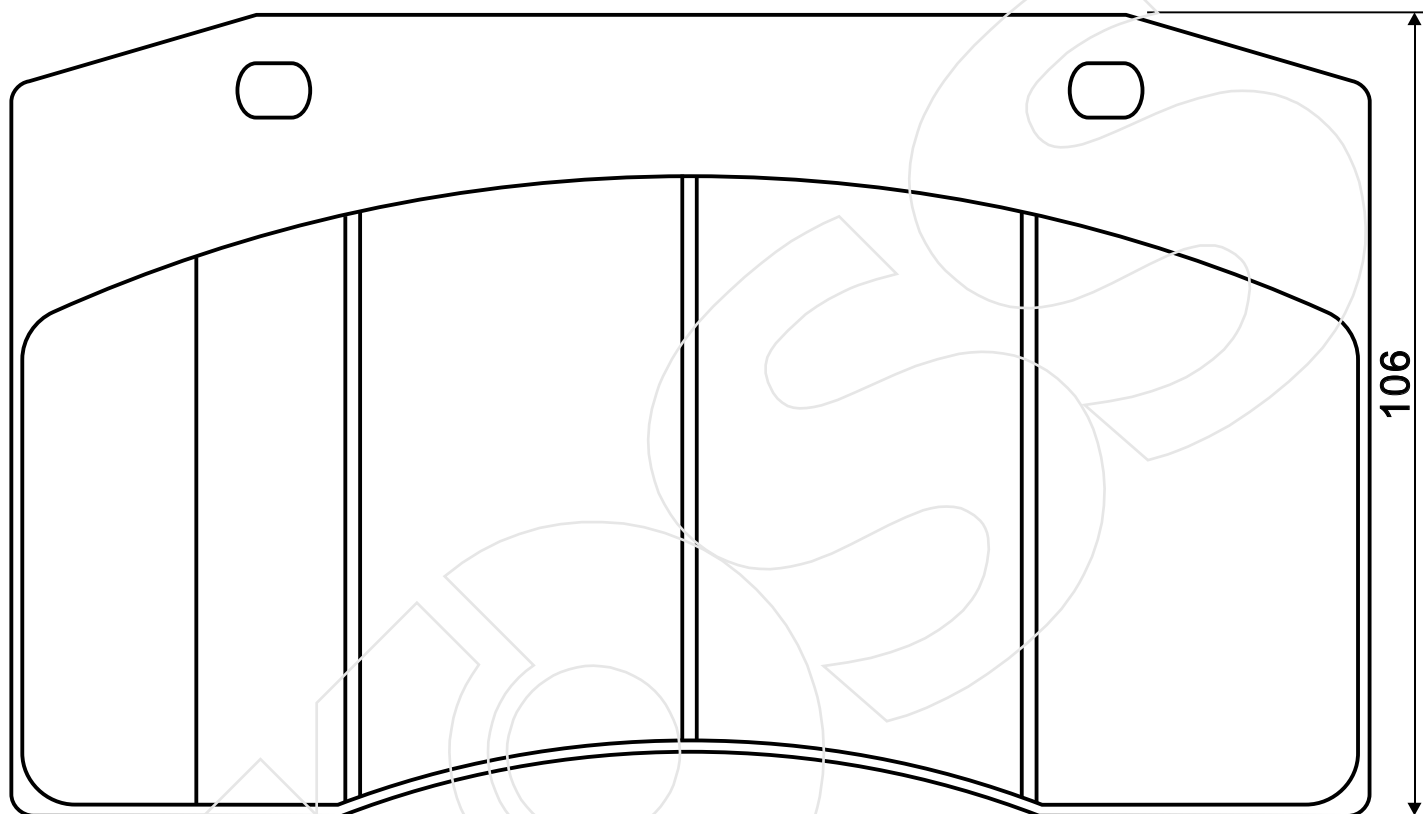
Reference in this Catalogue to other manufactures and to part numbers and other descriptions are for identification purposes only, because the above DISC BRAKE PADS are NOT ORIGINAL but with these interchangeable.

CODICE	IMPIANTO	ASSE	SCALA	APPLICAZIONI
R-5231	PERROT	ANTERIORE	1:1	DAF
CODICE COMPONENTI	N°	L(mm)	SERIE	
*	*	*	4 PEZZI	
*	*			
*	*			
CODICE ACCESSORI	N°	L(mm)	NOTE	
*	*			
*	*			
*	*			
*	*			



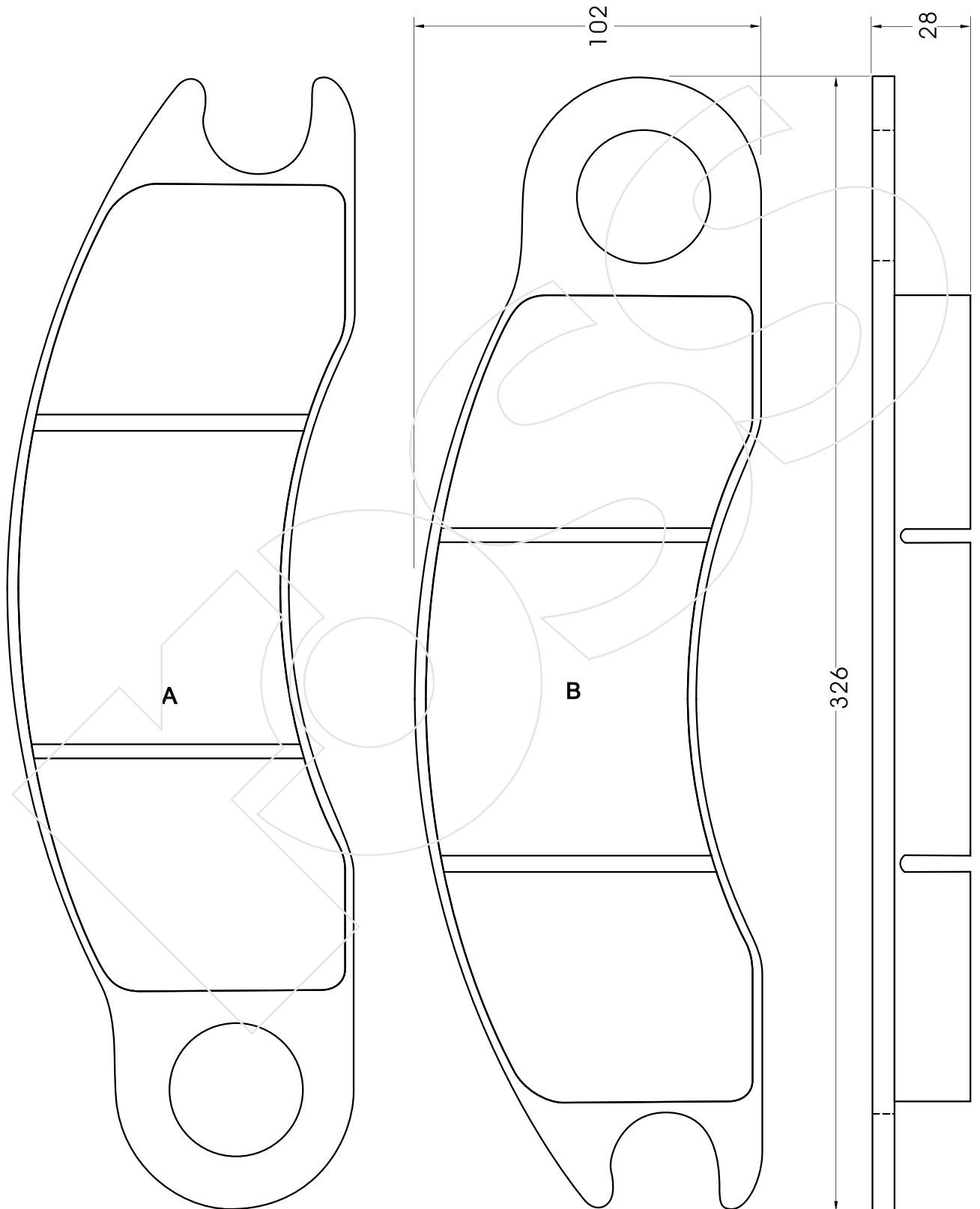
Reference in this Catalogue to other manufactures and to part numbers and other descriptions are for identification purposes only, because the above DISC BRAKE PADS are NOT ORIGINAL but with these interchangeable.

CODICE	IMPIANTO		ASSE	SCALA	APPLICAZIONI
R-5232	PERROT		ANTERIORE	1:1	FIAT IVECO
CODICE COMPONENTI	N°	L(mm)	SERIE		
*	*	*	4 PEZZI CON SMUSSO A DX		
*	*	*	4 PEZZI CON SMUSSO A SX		
*	*	*			
CODICE ACCESSORI	N°	L(mm)	NOTE		
*	*	*			
*	*	*			
*	*	*			
*	*	*			



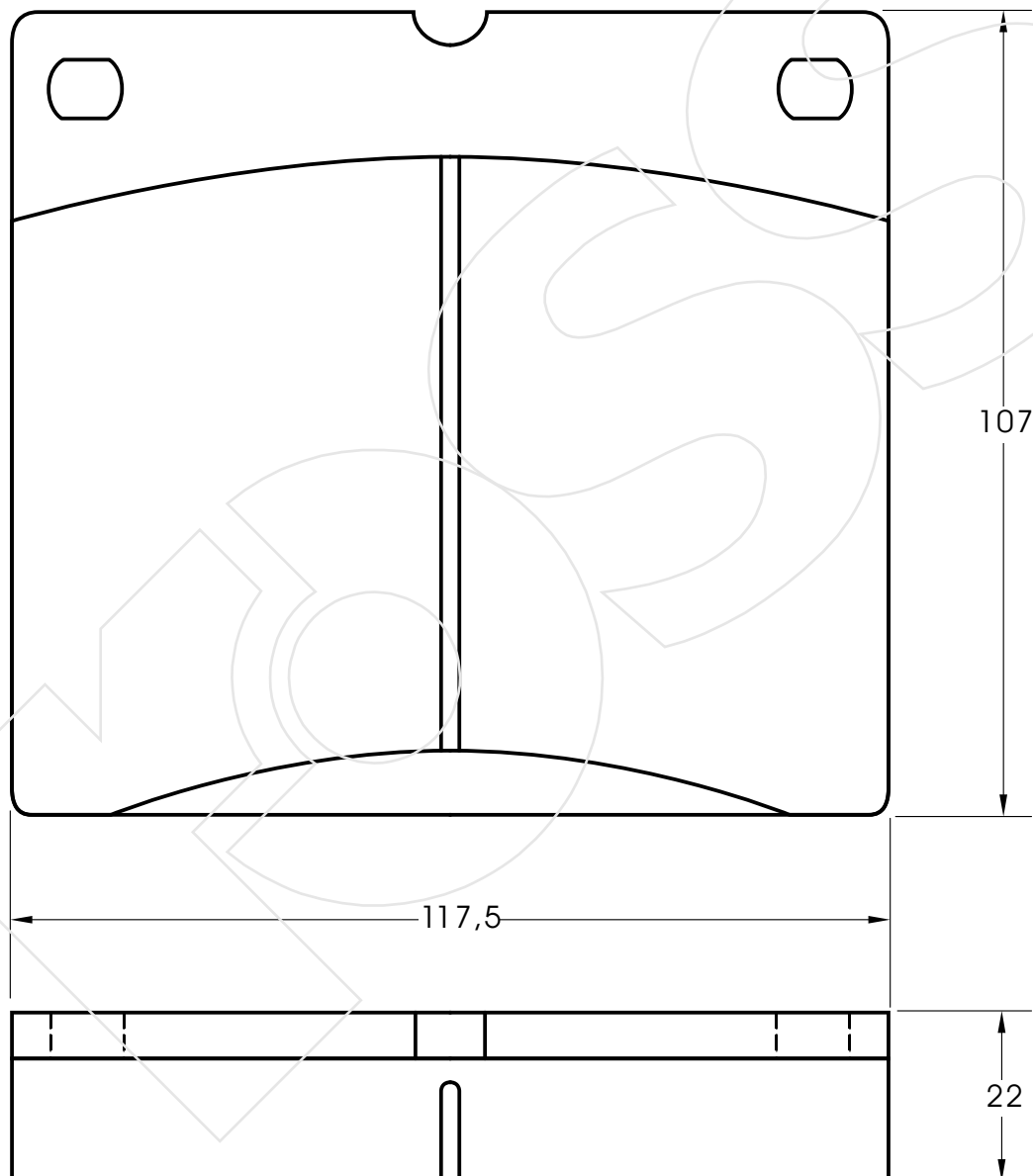
Reference in this Catalogue to other manufactures and to part numbers and other descriptions are for identification purposes only, because the above DISC BRAKE PADS are NOT ORIGINAL but with these interchangeable.

CODICE	IMPIANTO		ASSE	SCALA	APPLICAZIONI
R-5233	CRL		ANTERIORE	60%	CATERPILLAR
CODICE COMPONENTI	N°	L(mm)	SERIE		
*	*		2 PEZZI TIPO A		
*	*		2 PEZZI TIPO B		
CODICE ACCESSORI	N°	L(mm)	NOTE		
*	*				
*	*				
*	*				
*	*				



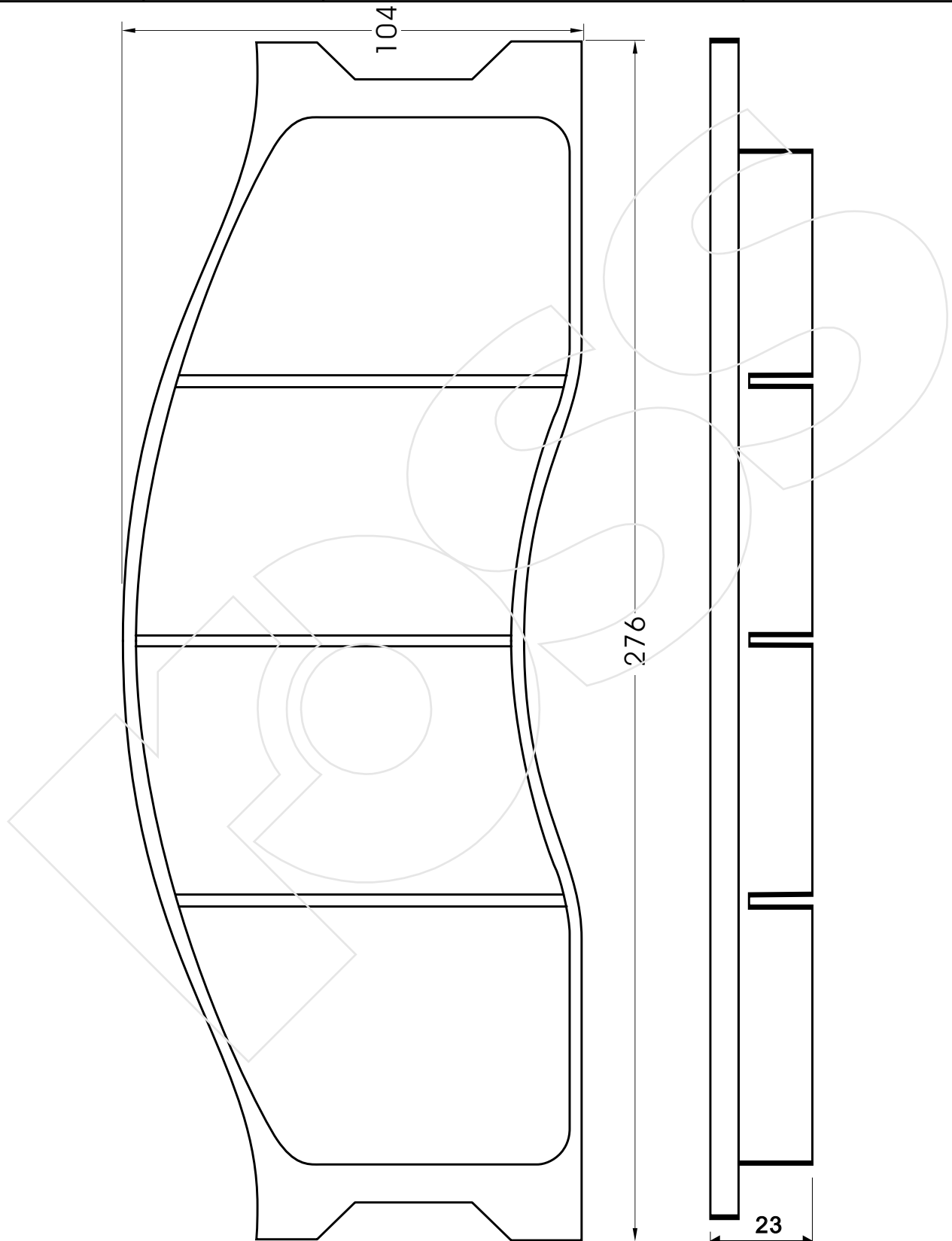
Reference in this Catalogue to other manufactures and to part numbers and other descriptions are for identification purposes only, because the above DISC BRAKE PADS are NOT ORIGINAL but with these interchangeable.

CODICE	IMPIANTO		ASSE	SCALA	APPLICAZIONI
R-5234	BREMBO		ANTERIORE	100%	MENARINI
CODICE COMPONENTI	N°	L(mm)	SERIE		
			4 PEZZI		
*	*				
*	*				
CODICE ACCESSORI	N°	L(mm)	NOTE		
*	*				
*	*				
*	*				
*	*				



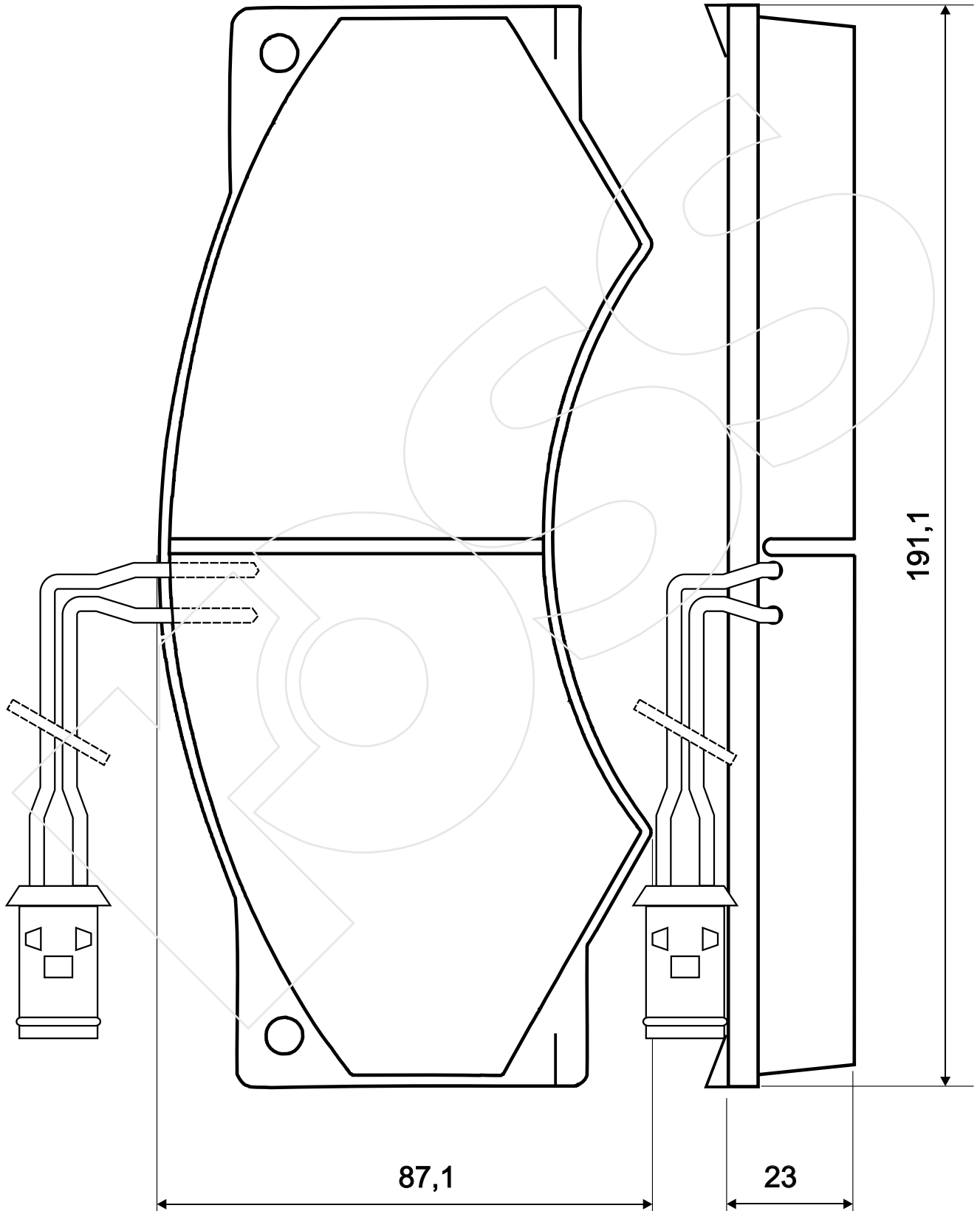
Reference in this Catalogue to other manufactures and to part numbers and other descriptions are for identification purposes only, because the above DISC BRAKE PADS are NOT ORIGINAL but with these interchangeable.

CODICE	IMPIANTO	ASSE	SCALA	APPLICAZIONI
R-5235	ROCKWELL	ANTERIORE	78%	VOLVO MICHIGAN KOCKUM CLARK MICHIGAM CATERPILLAR CASE AVELING BARFORD ALBARET
CODICE COMPONENTI	N°	L(mm)	SERIE	
			4 PEZZI	
*	*			
*	*			
CODICE ACCESSORI	N°	L(mm)	NOTE	
*	*			
*	*			
*	*			
*	*			



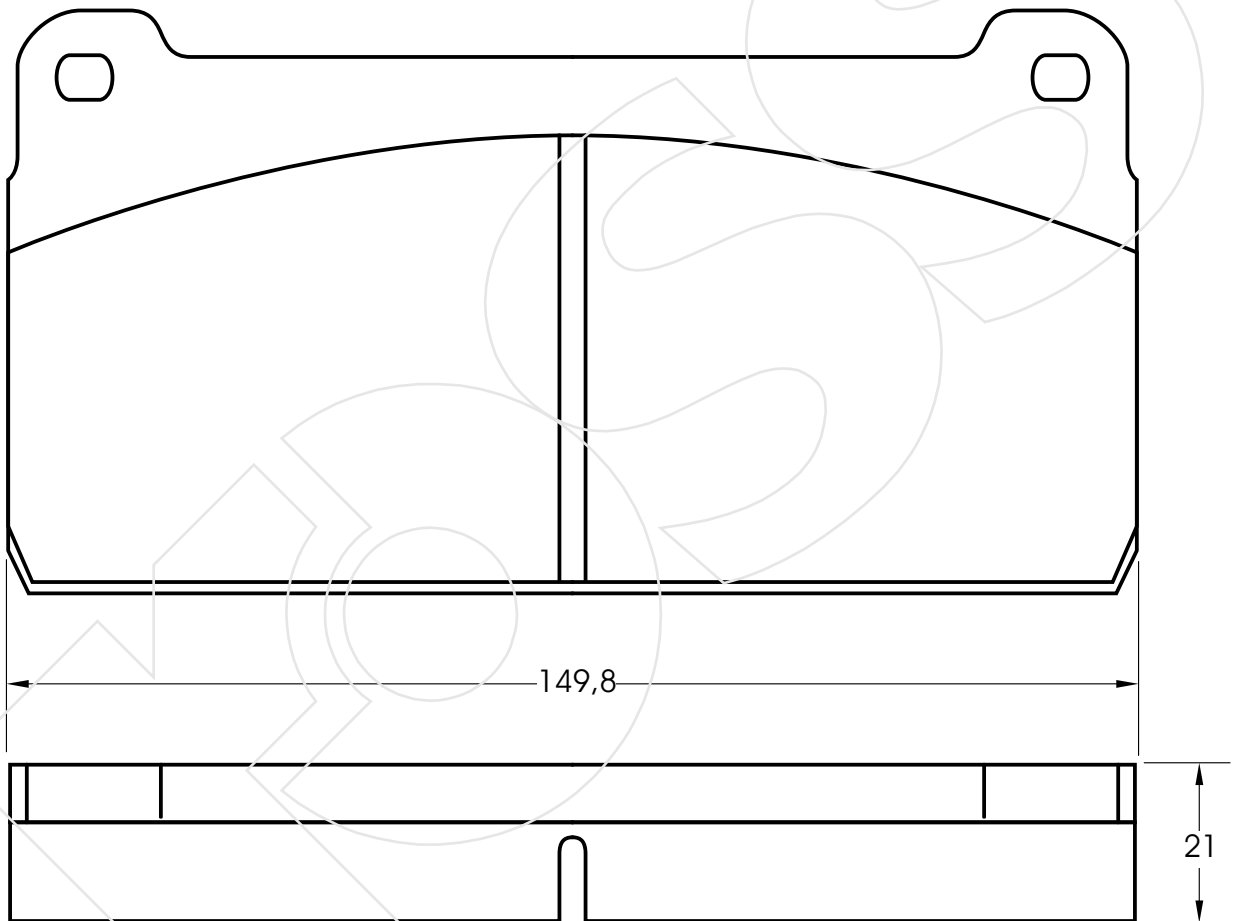
Reference in this Catalogue to other manufactures and to part numbers and other descriptions are for identification purposes only, because the above DISC BRAKE PADS are NOT ORIGINAL but with these interchangeable.

CODICE	IMPIANTO		ASSE	SCALA	APPLICAZIONI
R-5236	PERROT		ANTERIORE	1:1	DAF LEYLAND
CODICE COMPONENTI	N°	L(mm)	SERIE		
F3070	2	450	2 PEZZI CON SEGNALETTORE		
*	*		2 PEZZI SENZA		
*	*				
CODICE ACCESSORI	N°	L(mm)	NOTE		
*	*				
*	*				
*	*				
*	*				



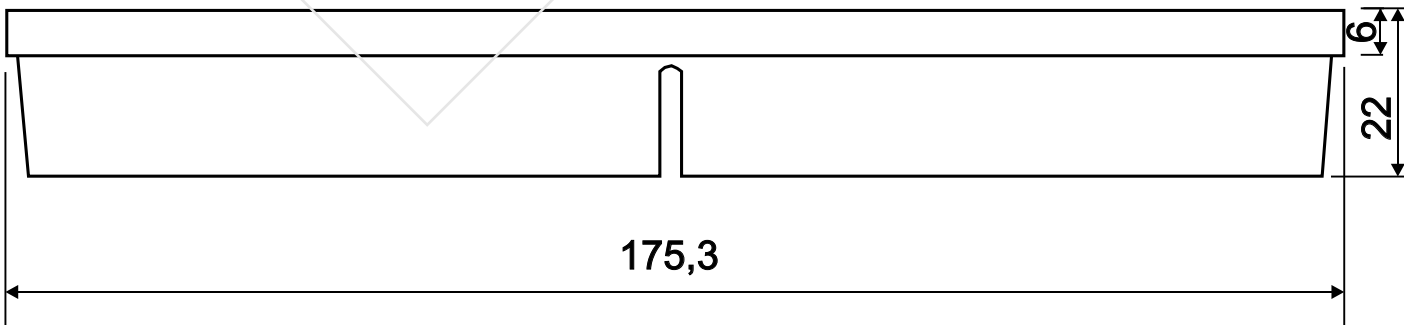
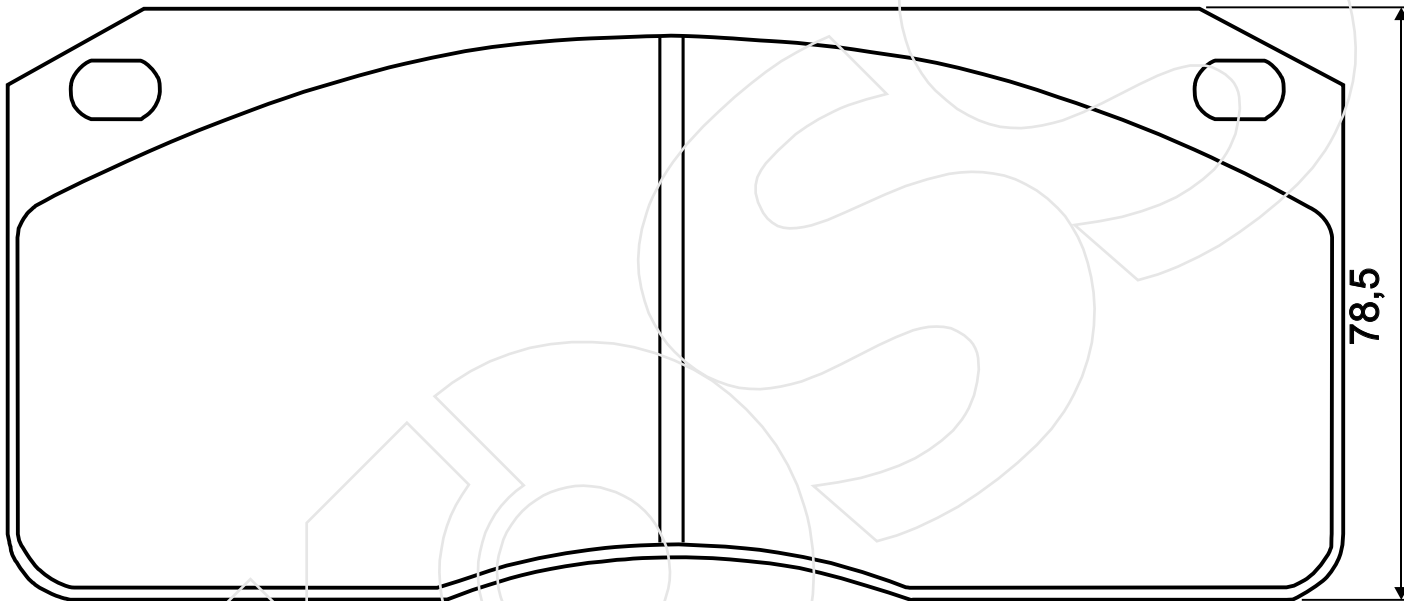
Reference in this Catalogue to other manufactures and to part numbers and other descriptions are for identification purposes only, because the above DISC BRAKE PADS are NOT ORIGINAL but with these interchangeable.

CODICE	IMPIANTO		ASSE	SCALA	APPLICAZIONI
R-5237	ATE		ANTERIORE	100%	MERCEDES
CODICE COMPONENTI	N°	L(mm)	SERIE		
*	*	*	4 PEZZI		
*	*	*			
*	*	*			
*	*	*			
CODICE ACCESSORI	N°	L(mm)	NOTE		
*	*	*			
*	*	*			
*	*	*			
*	*	*			



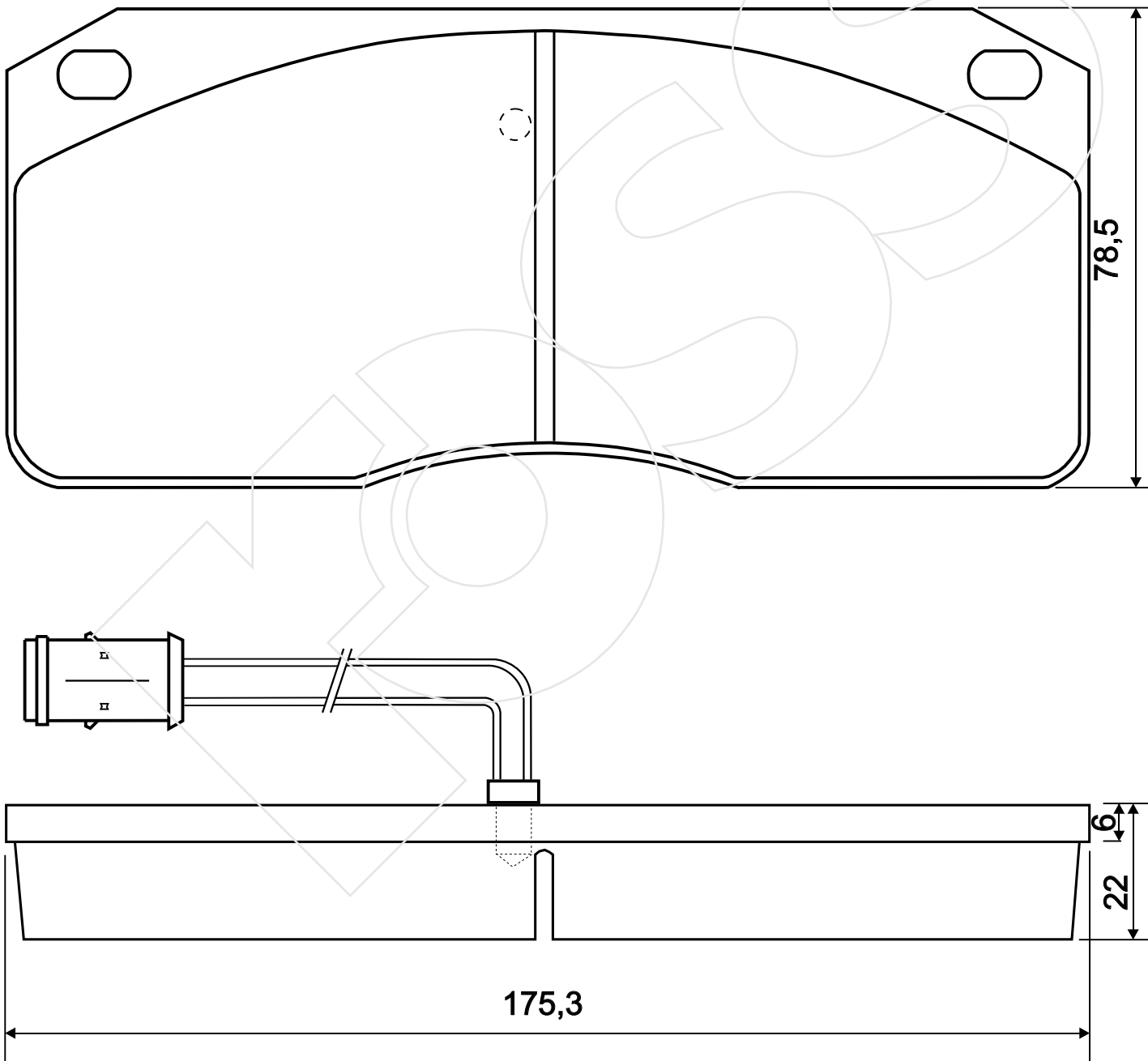
Reference in this Catalogue to other manufactures and to part numbers and other descriptions are for identification purposes only, because the above DISC BRAKE PADS are NOT ORIGINAL but with these interchangeable.

CODICE	IMPIANTO		ASSE	SCALA	APPLICAZIONI
R-5238	GIRLING		ANTERIORE/POSTERIORE	1:1	VOLVO
CODICE COMPONENTI	N°	L(mm)	SERIE		
			4 PEZZI		
*	*				
*	*				
CODICE ACCESSORI	N°	L(mm)	NOTE		
*	*				
*	*				
*	*				
*	*				



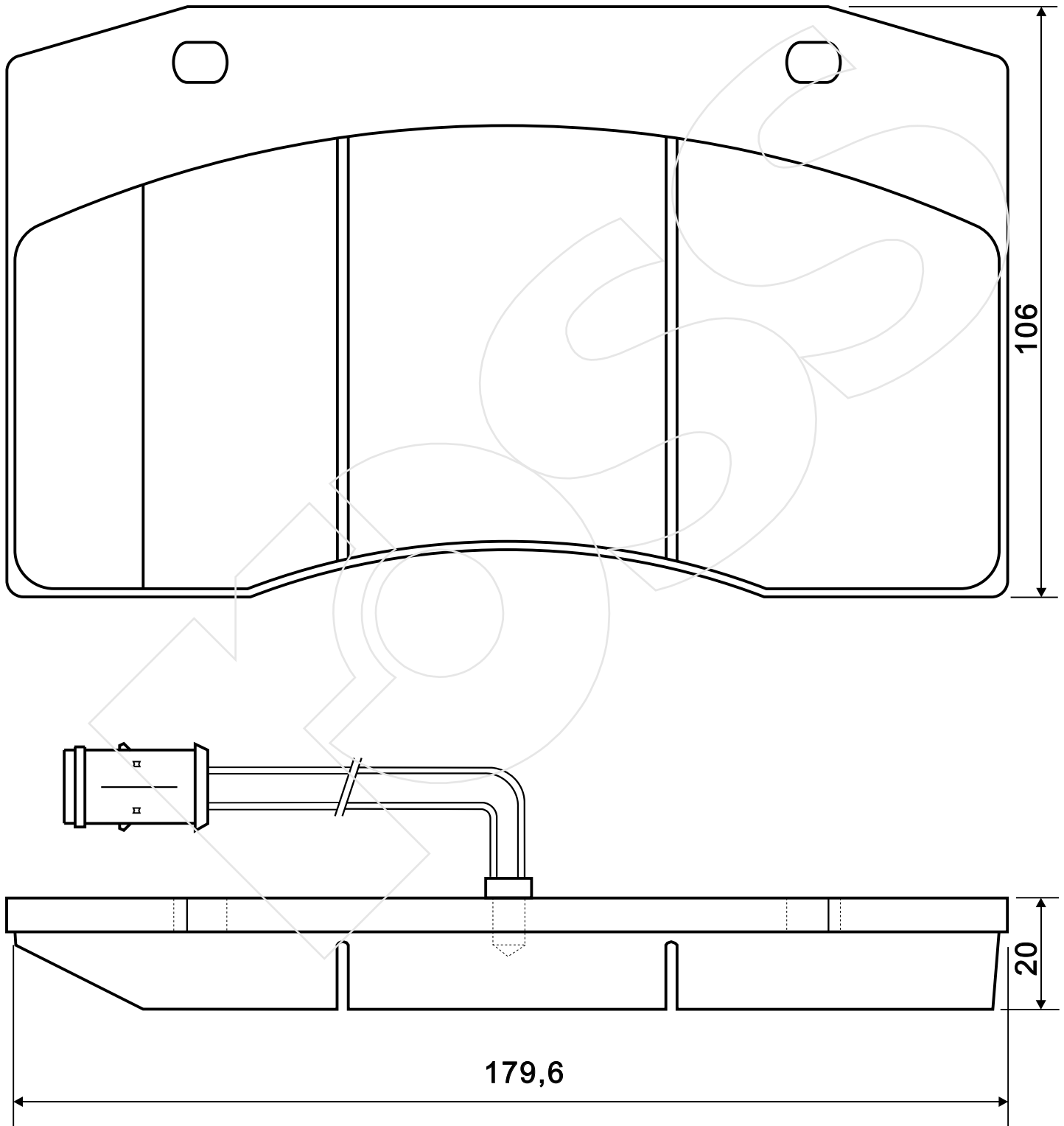
Reference in this Catalogue to other manufactures and to part numbers and other descriptions are for identification purposes only, because the above DISC BRAKE PADS are NOT ORIGINAL but with these interchangeable.

CODICE	IMPIANTO		ASSE	SCALA	APPLICAZIONI
R-5239	GIRLING		ANTERIORE/POSTERIORE	1:1	VOLVO
CODICE COMPONENTI	N°	L(mm)	SERIE		
F3039	2	500	2 PEZZI CON CAVO SEGNALATORE		
*	*	*	2 PEZZI SENZA CAVO SEGNALATORE		
CODICE ACCESSORI	N°	L(mm)	NOTE		
*	*	*	*		
*	*	*	*		
*	*	*	*		
*	*	*	*		



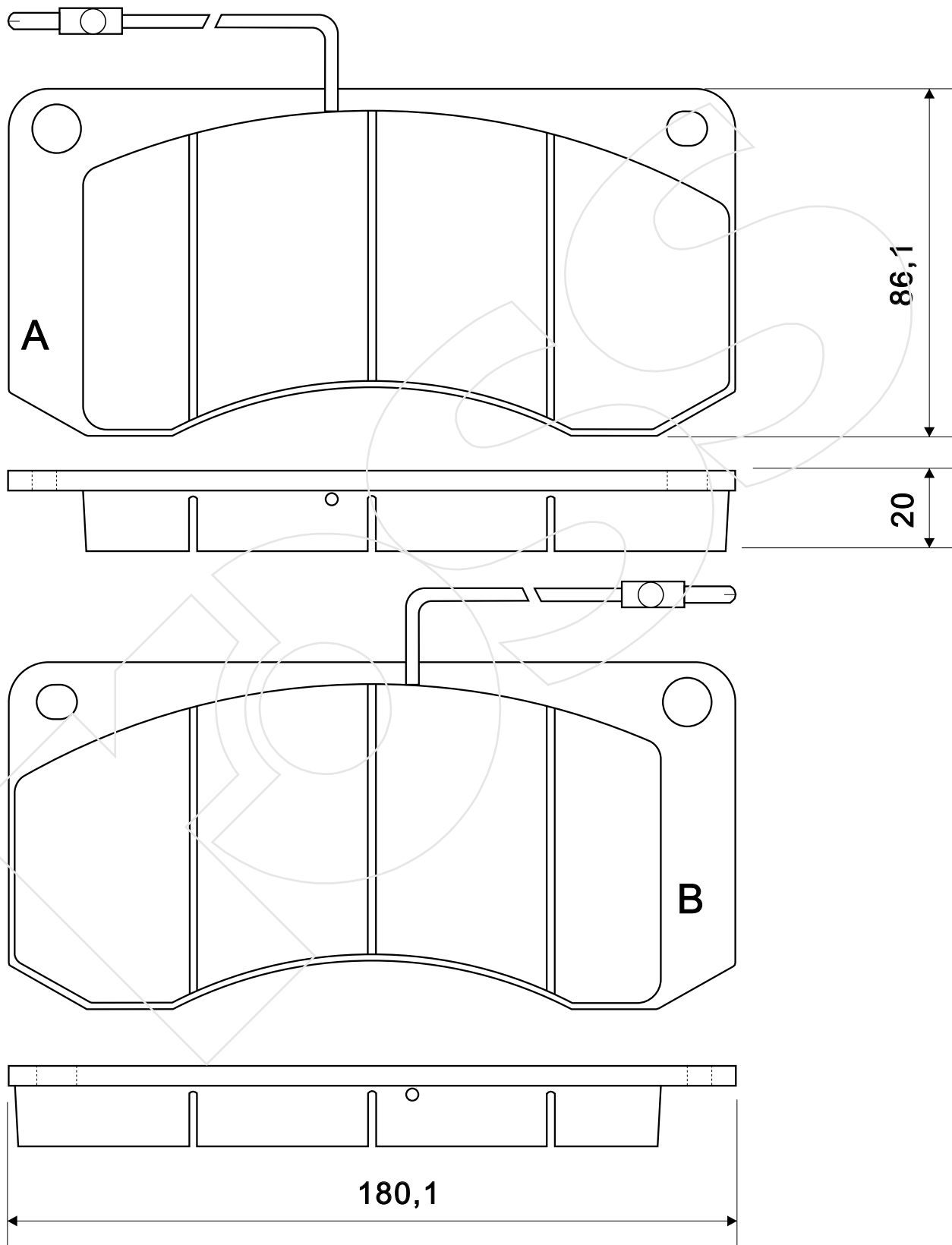
Reference in this Catalogue to other manufactures and to part numbers and other descriptions are for identification purposes only, because the above DISC BRAKE PADS are NOT ORIGINAL but with these interchangeable.

CODICE	IMPIANTO		ASSE	SCALA	APPLICAZIONI
R-5240	PERROT		ANTERIORE	1:1	FIAT IVECO
CODICE COMPONENTI	N°	L(mm)	SERIE		
*	*		3 PEZZI CON SMUSSO A DX		
*	*		3 PEZZI CON SMUSSO A SX		
F 3024	1	180	1 PEZZO CON SMUSSO A DX + CAVO		
F 3024	1	180	1 PEZZO CON SMUSSO A SX + CAVO		
CODICE ACCESSORI	N°	L(mm)	NOTE		
*	*		*		
*	*		*		
*	*		*		
*	*		*		



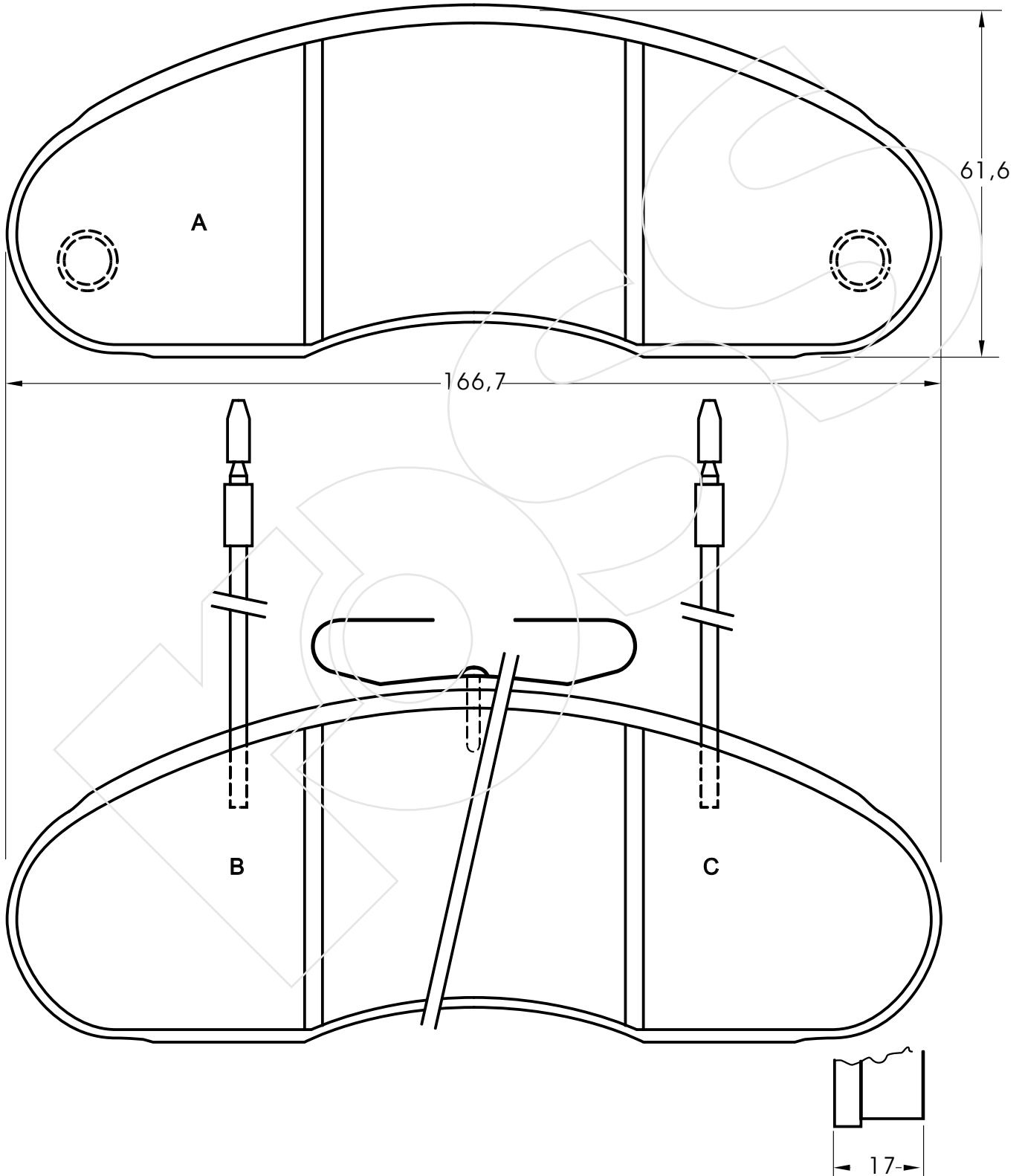
Reference in this Catalogue to other manufactures and to part numbers and other descriptions are for identification purposes only, because the above DISC BRAKE PADS are NOT ORIGINAL but with these interchangeable.

CODICE	IMPIANTO		ASSE	SCALA	APPLICAZIONI
R-5241	GIRLING		ANTERIORE	1:1,5	RENAULT
CODICE COMPONENTI	N°	L(mm)	SERIE		
F3067	2	300	2 PEZZI TIPO A		
F3067	2	300	2 PEZZI TIPO B		
*	*				
CODICE ACCESSORI	N°	L(mm)	NOTE		
*	*				
*	*				
*	*				
*	*				



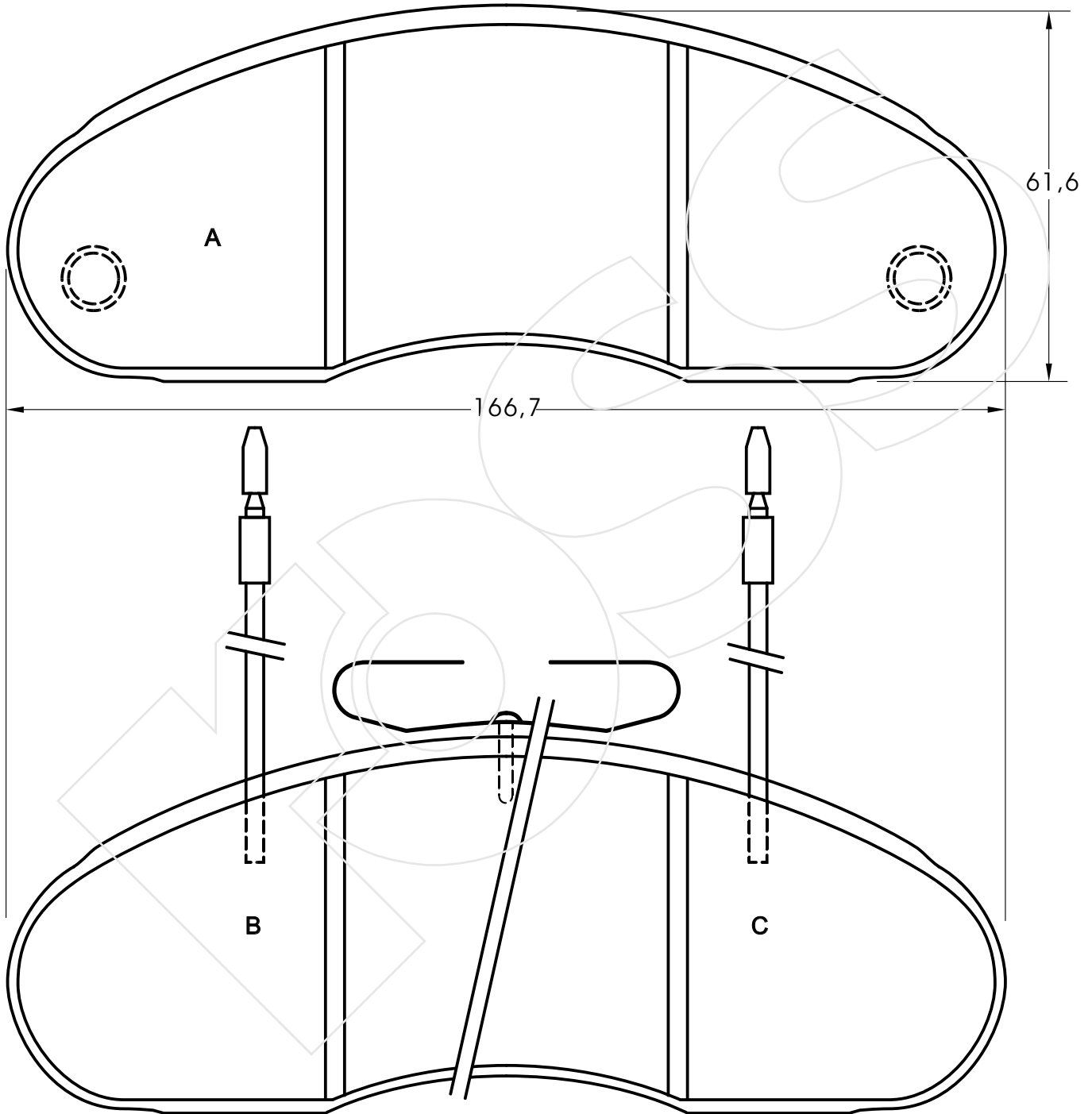
Reference in this Catalogue to other manufactures and to part numbers and other descriptions are for identification purposes only, because the above DISC BRAKE PADS are NOT ORIGINAL but with these interchangeable.

CODICE	IMPIANTO		ASSE	SCALA	APPLICAZIONI
R-5242	BENDIX*		ANTERIORE	1:1	RENAULT
CODICE COMPONENTI	N°	L(mm)	SERIE		
	*		2 PEZZI TIPO A		
M0085+P1008+F3007	1+1+1	250	1 PEZZO TIPO B		
M0085+P1008+F3007	1+1+1	250	1 PEZZO TIPO C		
CODICE ACCESSORI	N°	L(mm)	NOTE		
*	*				
*	*				
*	*				
*	*				



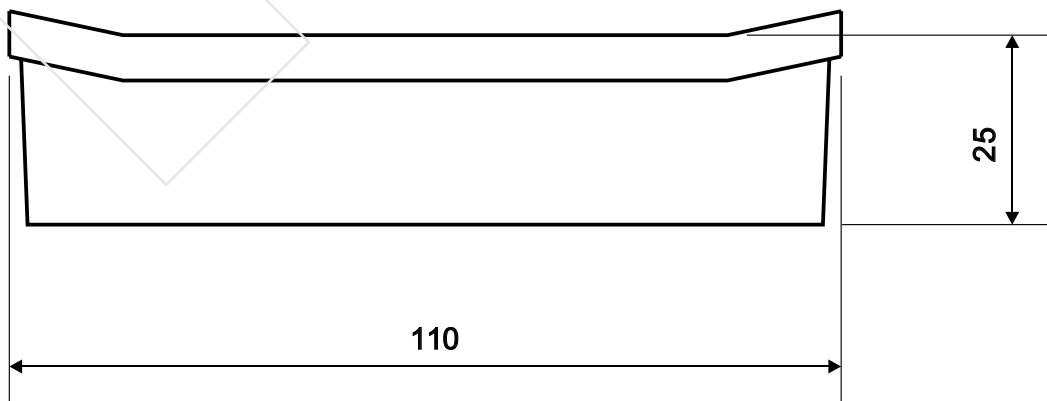
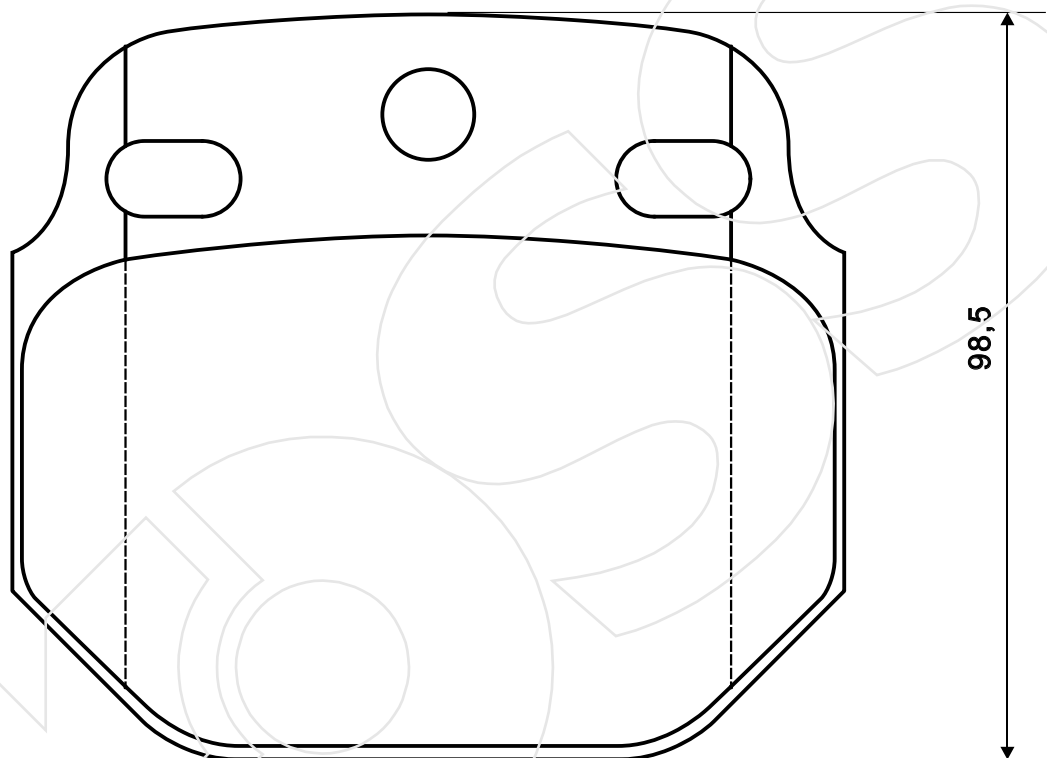
Reference in this Catalogue to other manufactures and to part numbers and other descriptions are for identification purposes only, because the above DISC BRAKE PADS are NOT ORIGINAL but with these interchangeable.

CODICE	IMPIANTO		ASSE	SCALA	APPLICAZIONI
R-5243	BENDIX*		ANTERIORE	1:1	RENAULT
CODICE COMPONENTI	N°	L(mm)	SERIE		
	*		2 PEZZI TIPO A		
M0085+P1008+F3007	1+1+1	250	1 PEZZO TIPO B		
M0085+P1008+F3007	1+1+1	250	1 PEZZO TIPO C		
CODICE ACCESSORI	N°	L(mm)	NOTE		
*	*				
*	*				
*	*				
*	*				



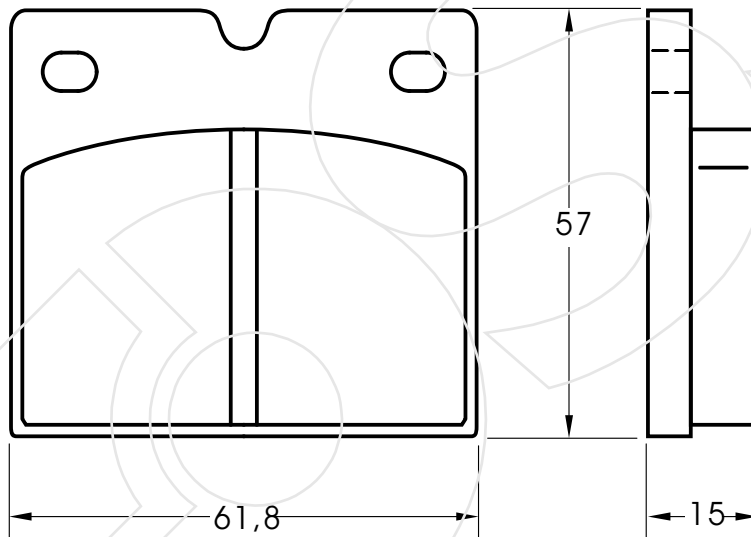
Reference in this Catalogue to other manufactures and to part numbers and other descriptions are for identification purposes only, because the above DISC BRAKE PADS are NOT ORIGINAL but with these interchangeable.

CODICE	IMPIANTO	ASSE	SCALA	APPLICAZIONI
R-5244	KNORR	ANTERIORE	1:1	FIAT
CODICE COMPONENTI	N°	L(mm)	SERIE	
*	*	*	8 PEZZI	
*	*			
*	*			
CODICE ACCESSORI	N°	L(mm)	NOTE	
*	*			
*	*			
*	*			
*	*			



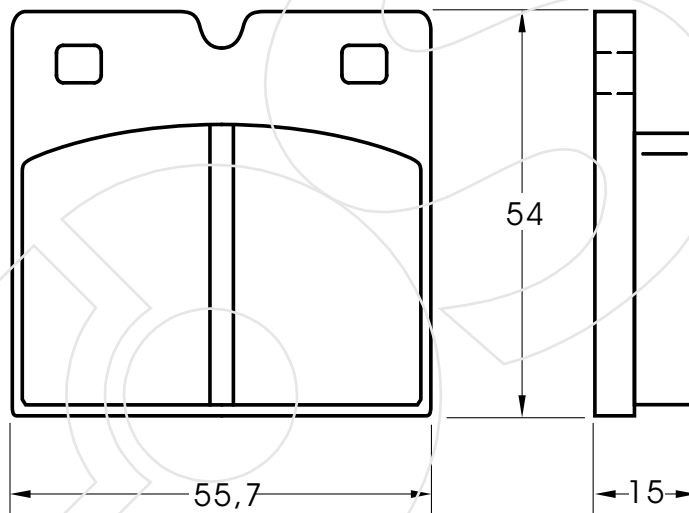
Reference in this Catalogue to other manufactures and to part numbers and other descriptions are for identification purposes only, because the above DISC BRAKE PADS are NOT ORIGINAL but with these interchangeable.

CODICE	IMPIANTO	ASSE	SCALA	APPLICAZIONI
R-5245	BREMBO	ANTERIORE	1:1	FIAT
CODICE COMPONENTI	N°	L(mm)	SERIE	
*	*	*	4 PEZZI	
*	*			
*	*			
CODICE ACCESSORI	N°	L(mm)	NOTE	
*	*			
*	*			
*	*			
*	*			



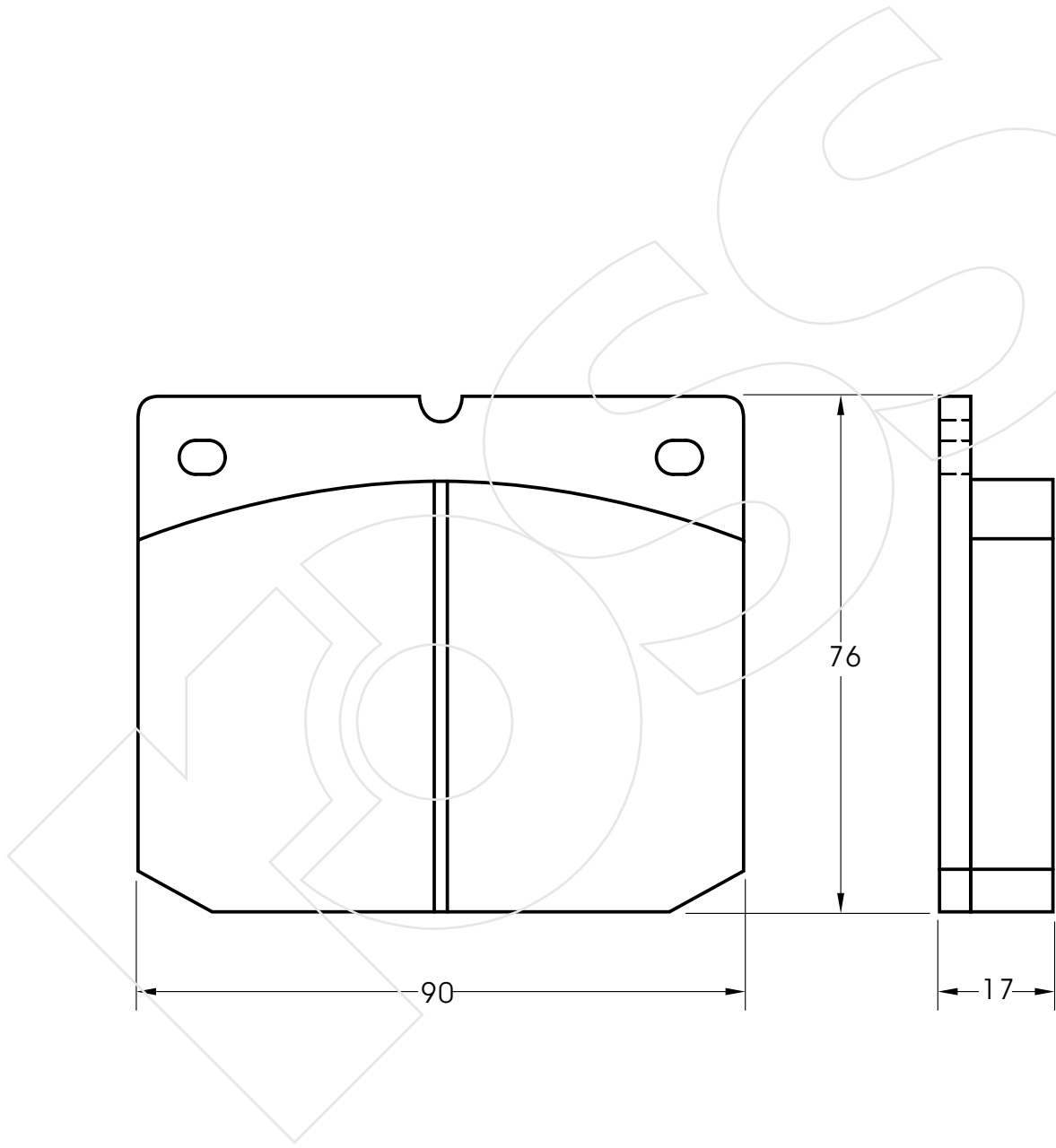
Reference in this Catalogue to other manufactures and to part numbers and other descriptions are for identification purposes only, because the above DISC BRAKE PADS are NOT ORIGINAL but with these interchangeable.

CODICE	IMPIANTO	ASSE	SCALA	APPLICAZIONI
R-5246	BREMBO	ANTERIORE	1:1	FIATI
CODICE COMPONENTI	N°	L(mm)	SERIE	
*	*	*	4 PEZZI	
*	*			
*	*			
CODICE ACCESSORI	N°	L(mm)	NOTE	
*	*			
*	*			
*	*			
*	*			



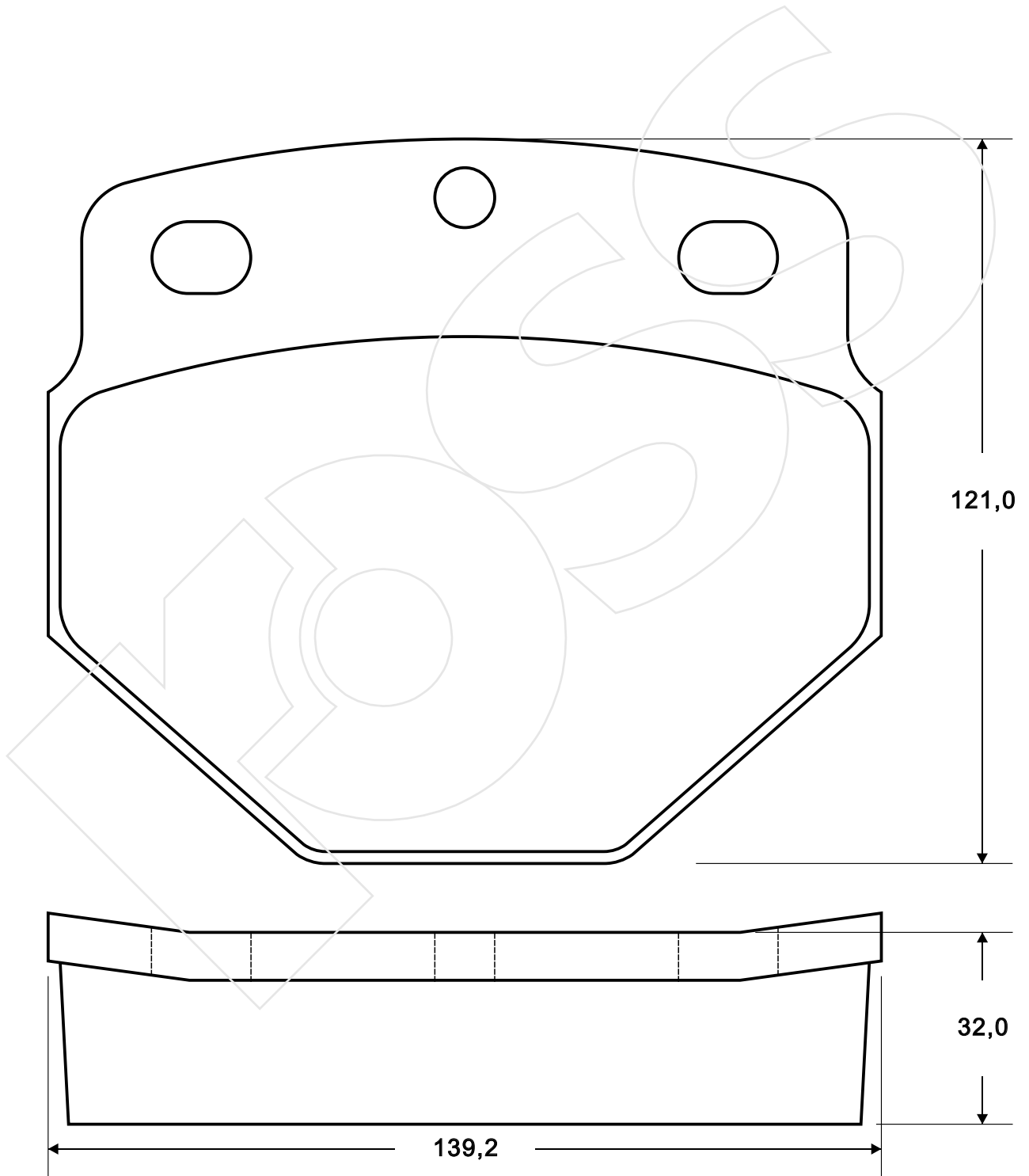
Reference in this Catalogue to other manufactures and to part numbers and other descriptions are for identification purposes only, because the above DISC BRAKE PADS are NOT ORIGINAL but with these interchangeable.

CODICE	IMPIANTO	ASSE	SCALA	APPLICAZIONI
R-5247	BREMO	ANTERIORE	1:1	PALAROSSI
CODICE COMPONENTI	N°	L(mm)	SERIE	
*	*	*	4 PEZZI	
*	*			
*	*			
CODICE ACCESSORI	N°	L(mm)	NOTE	
*	*			
*	*			
*	*			
*	*			



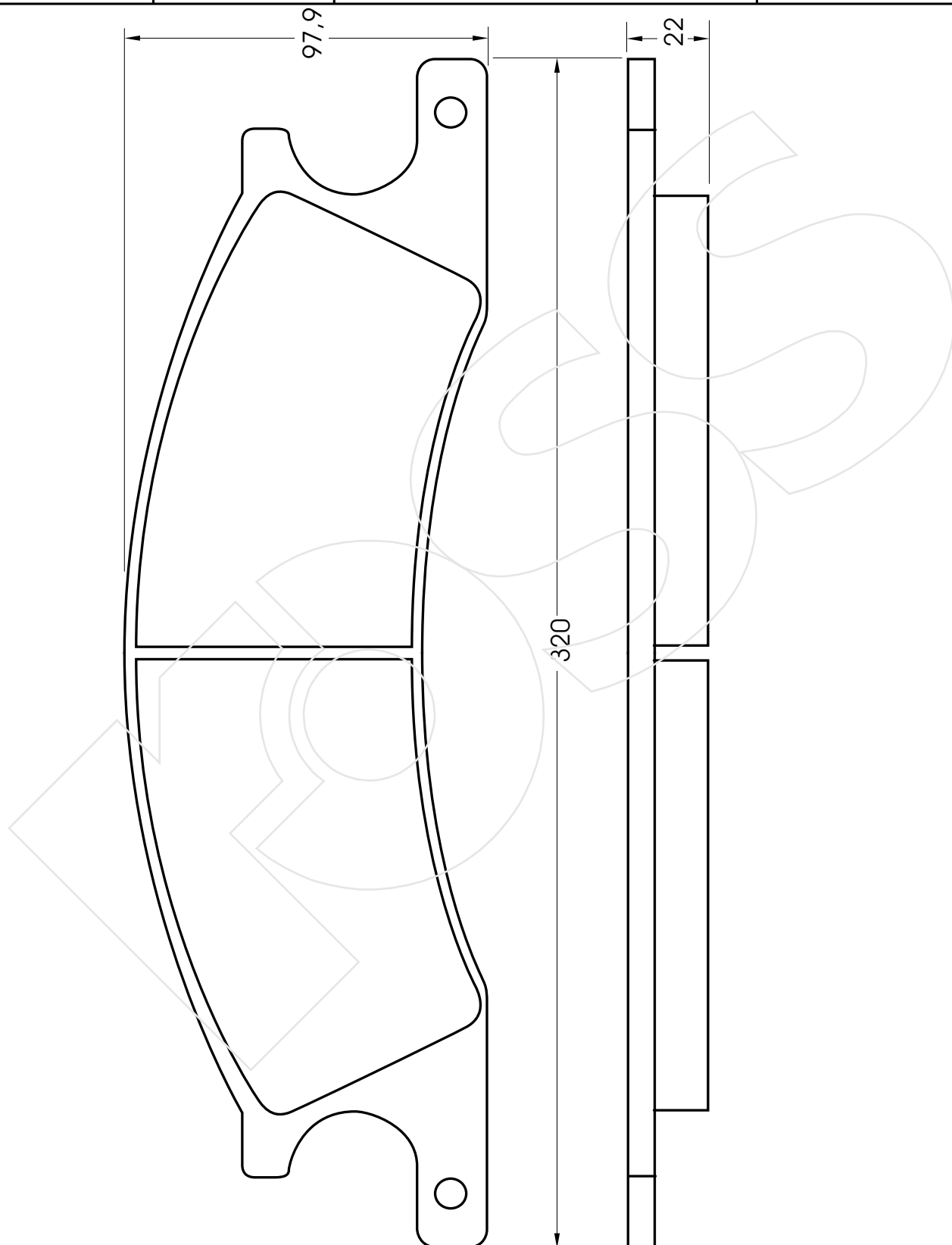
Reference in this Catalogue to other manufactures and to part numbers and other descriptions are for identification purposes only, because the above DISC BRAKE PADS are NOT ORIGINAL but with these interchangeable.

CODICE	IMPIANTO	ASSE	SCALA	APPLICAZIONI
R-5248	KNORR	ANTERIORE	1:1	DAF
CODICE COMPONENTI	N°	L(mm)	SERIE	
*	*	*	4 PEZZI	
*	*			
*	*			
CODICE ACCESSORI	N°	L(mm)	NOTE	
*	*			
*	*			
*	*			
*	*			



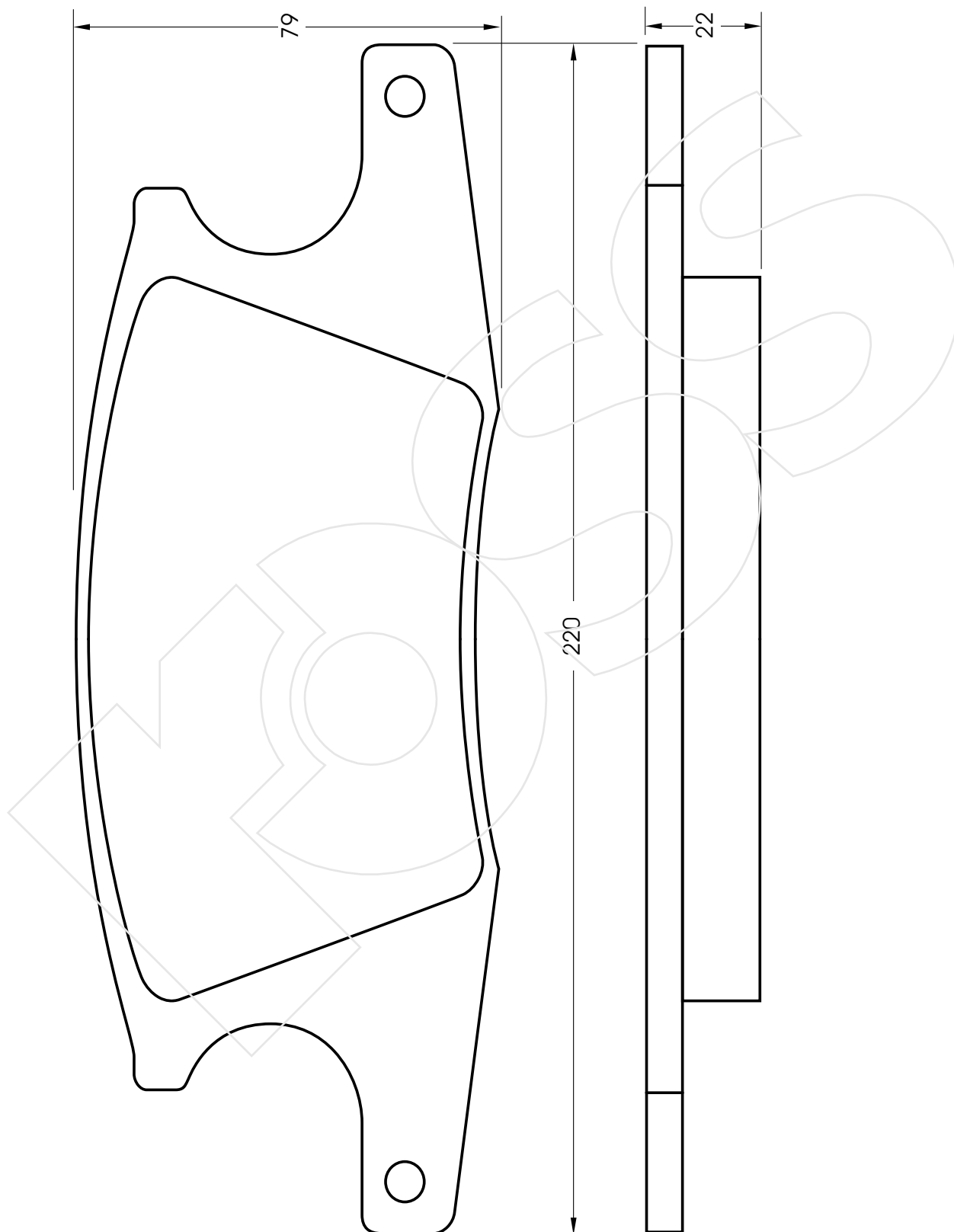
Reference in this Catalogue to other manufactures and to part numbers and other descriptions are for identification purposes only, because the above DISC BRAKE PADS are NOT ORIGINAL but with these interchangeable.

CODICE	IMPIANTO	ASSE	SCALA	APPLICAZIONI
R-5249	SUMITOMO	ANTERIORE	65%	KAWASAKI KOMATSU FURUKAMA
CODICE COMPONENTI	N°	L(mm)	SERIE	
*	*	*	4 PEZZI	
*	*			
*	*			
CODICE ACCESSORI	N°	L(mm)	NOTE	
*	*	*		
*	*	*		
*	*	*		
*	*	*		



Reference in this Catalogue to other manufactures and to part numbers and other descriptions are for identification purposes only, because the above DISC BRAKE PADS are NOT ORIGINAL but with these interchangeable.

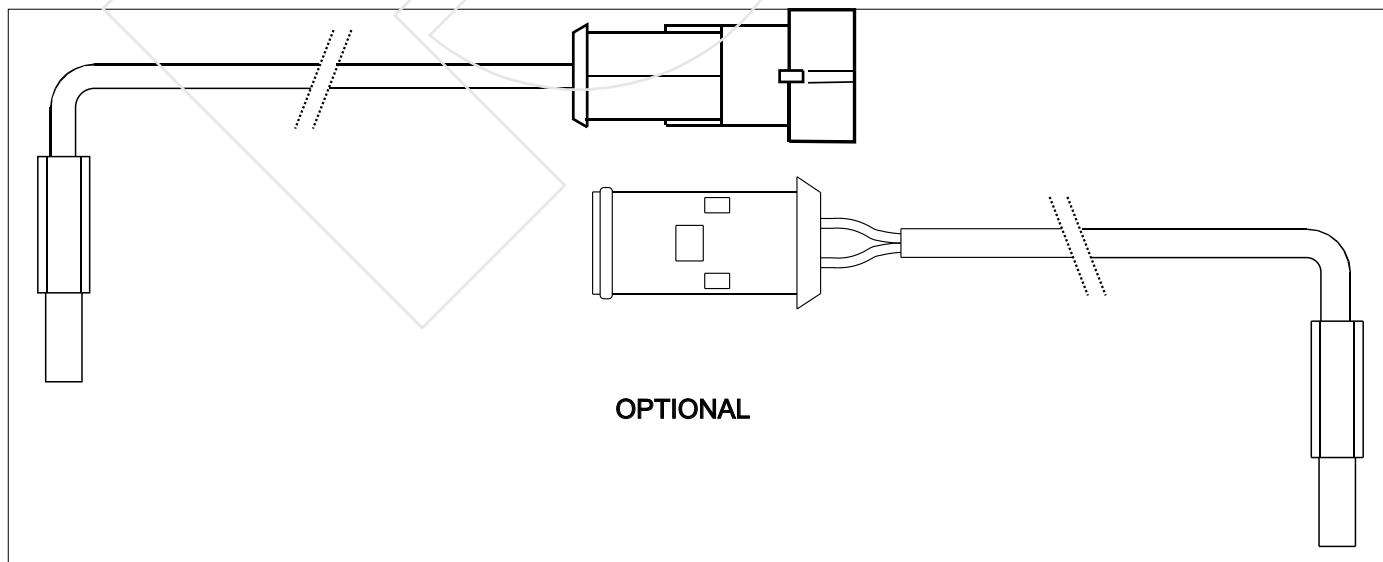
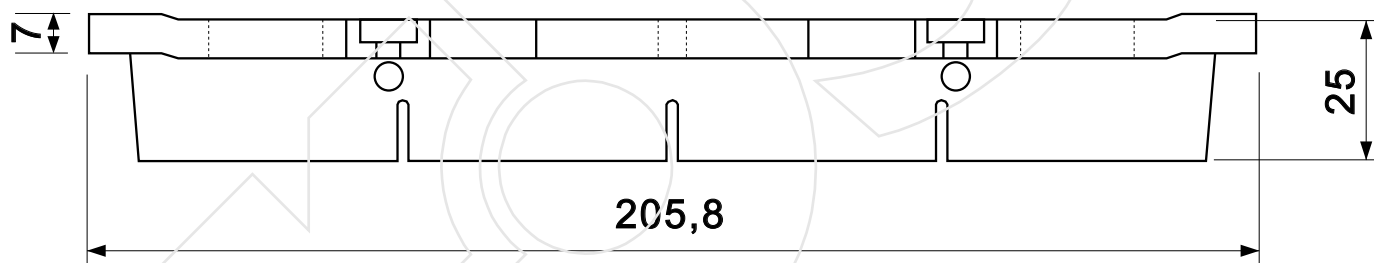
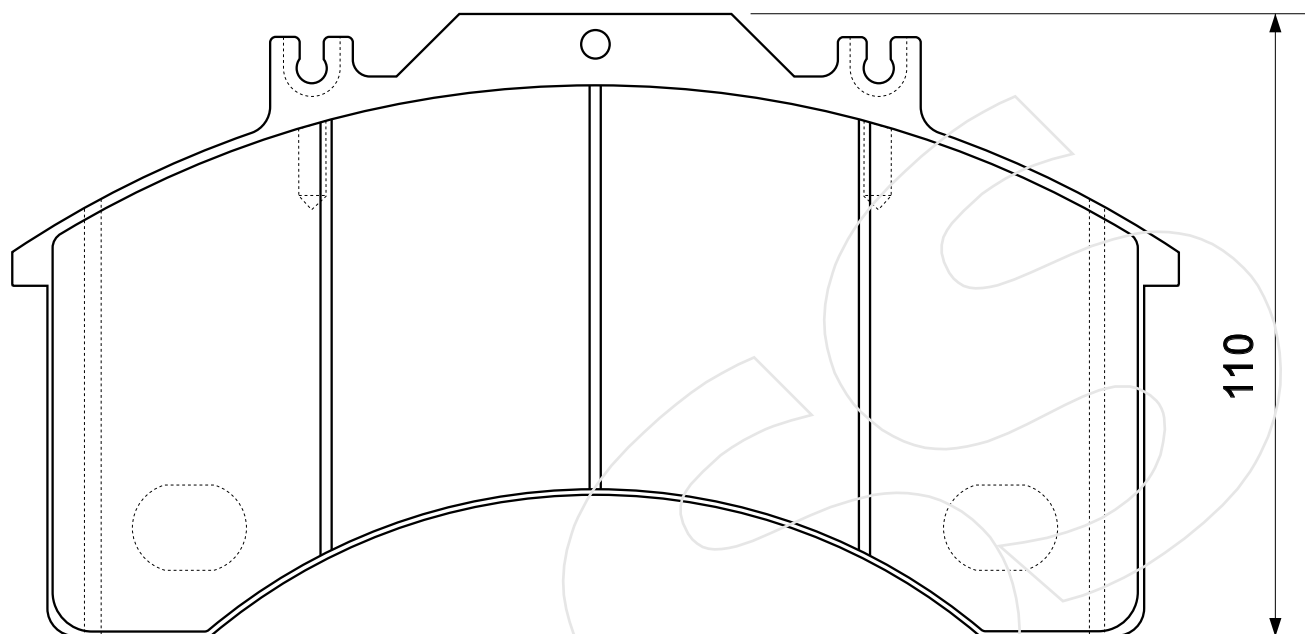
CODICE	IMPIANTO	ASSE	SCALA	APPLICAZIONI
R-5250	SUMITOMO	ANTERIORE	94%	KAVASAKI
CODICE COMPONENTI	N°	L(mm)	SERIE	
*	*	*	4 PEZZI	
*	*			
*	*			
CODICE ACCESSORI	N°	L(mm)	NOTE	
*	*		*	
*	*		*	
*	*		*	
*	*		*	



Reference in this Catalogue to other manufactures and to part numbers and other descriptions are for identification purposes only, because the above DISC BRAKE PADS are NOT ORIGINAL but with these interchangeable.

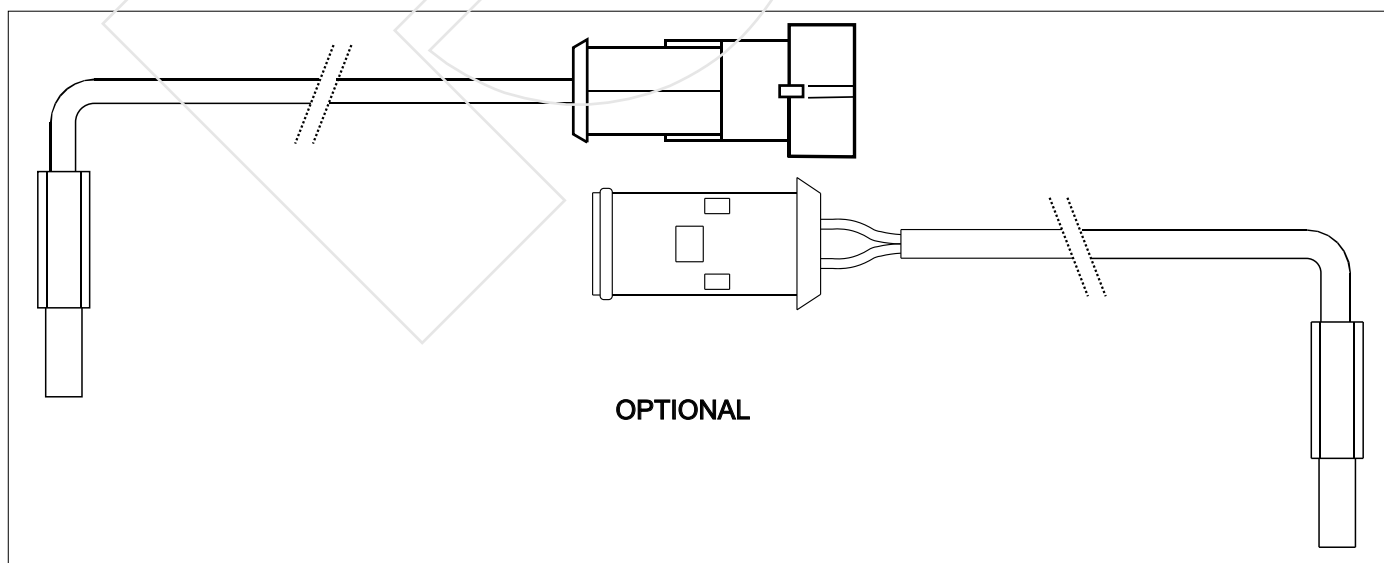
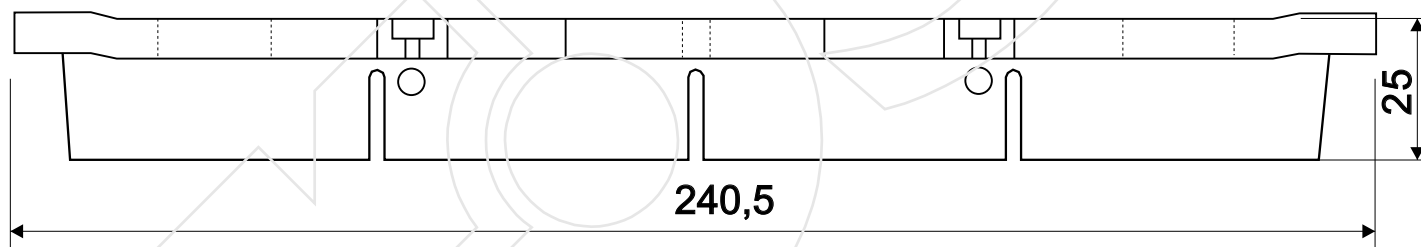
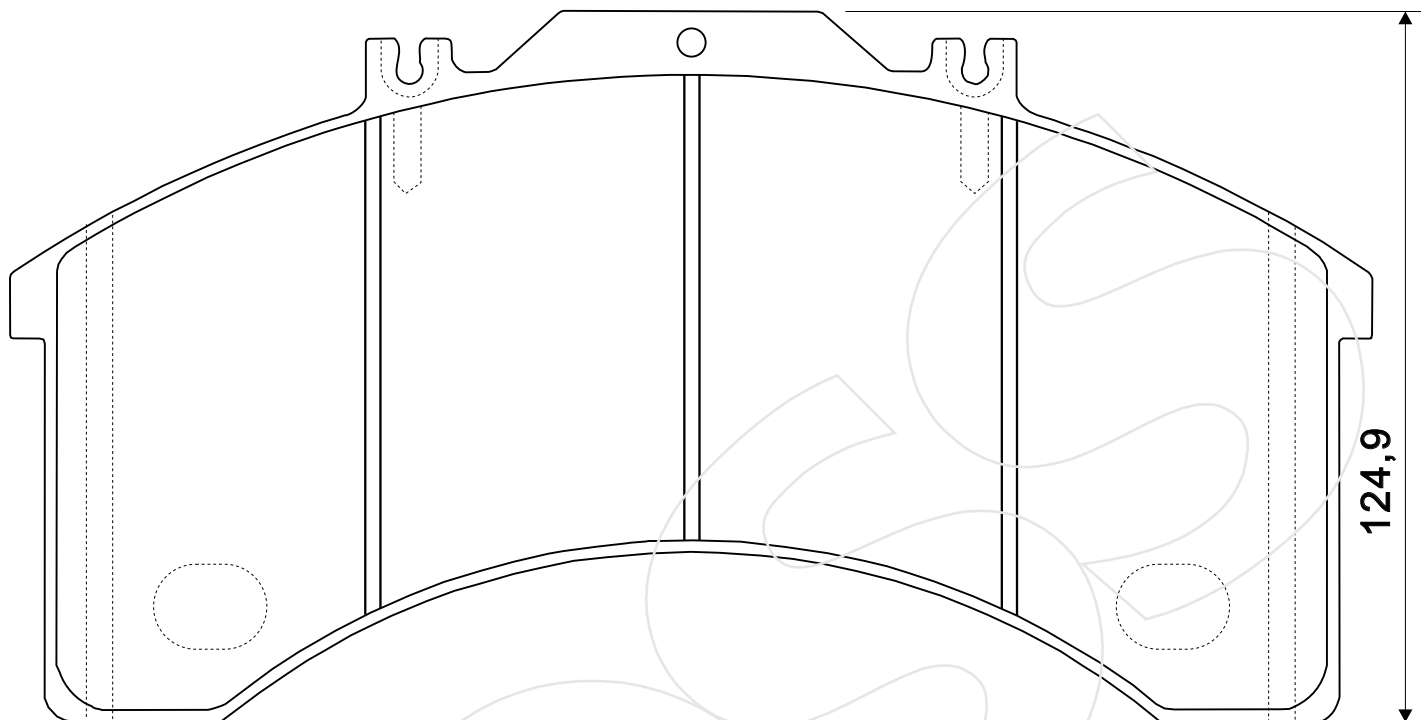
CODICE	IMPIANTO		ASSE	SCALA	APPLICAZIONI
R-5251	BENDIX		ANTERIORE	1:1,5	IVECO
CODICE COMPONENTI	N°	L(mm)	SERIE		
*	*	*	4 PEZZI		
*	*				
*	*				
OPTIONAL	N°	L(mm)	NOTE		
F3089	2	280	*		
F3090	2	360	*		
*	*		*		
*	*		*		

WVA:29032



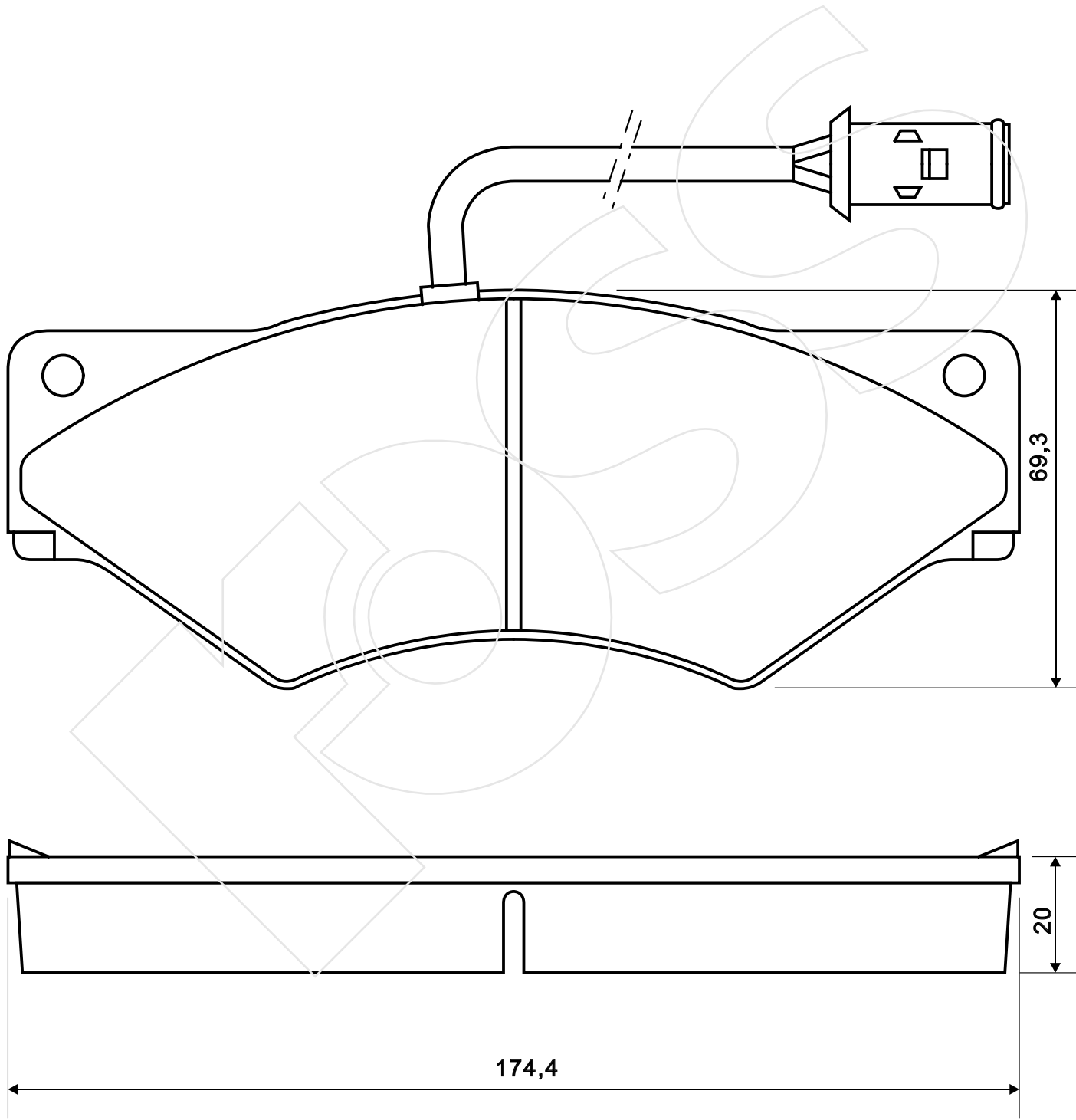
Reference in this Catalogue to other manufactures and to part numbers and other descriptions are for identification purposes only, because the above DISC BRAKE PADS are NOT ORIGINAL but with these interchangeable.

CODICE	IMPIANTO		ASSE	SCALA	APPLICAZIONI
R-5252	BENDIX		ANTERIORE	1:1,5	IVECO
CODICE COMPONENTI	N°	L(mm)	SERIE		
*	*	*	4 PEZZI		
*	*				
*	*				
OPTIONAL	N°	L(mm)	NOTE		
F3089	2	280	*		
F3090	2	360	*		
*	*		*		
*	*		*		



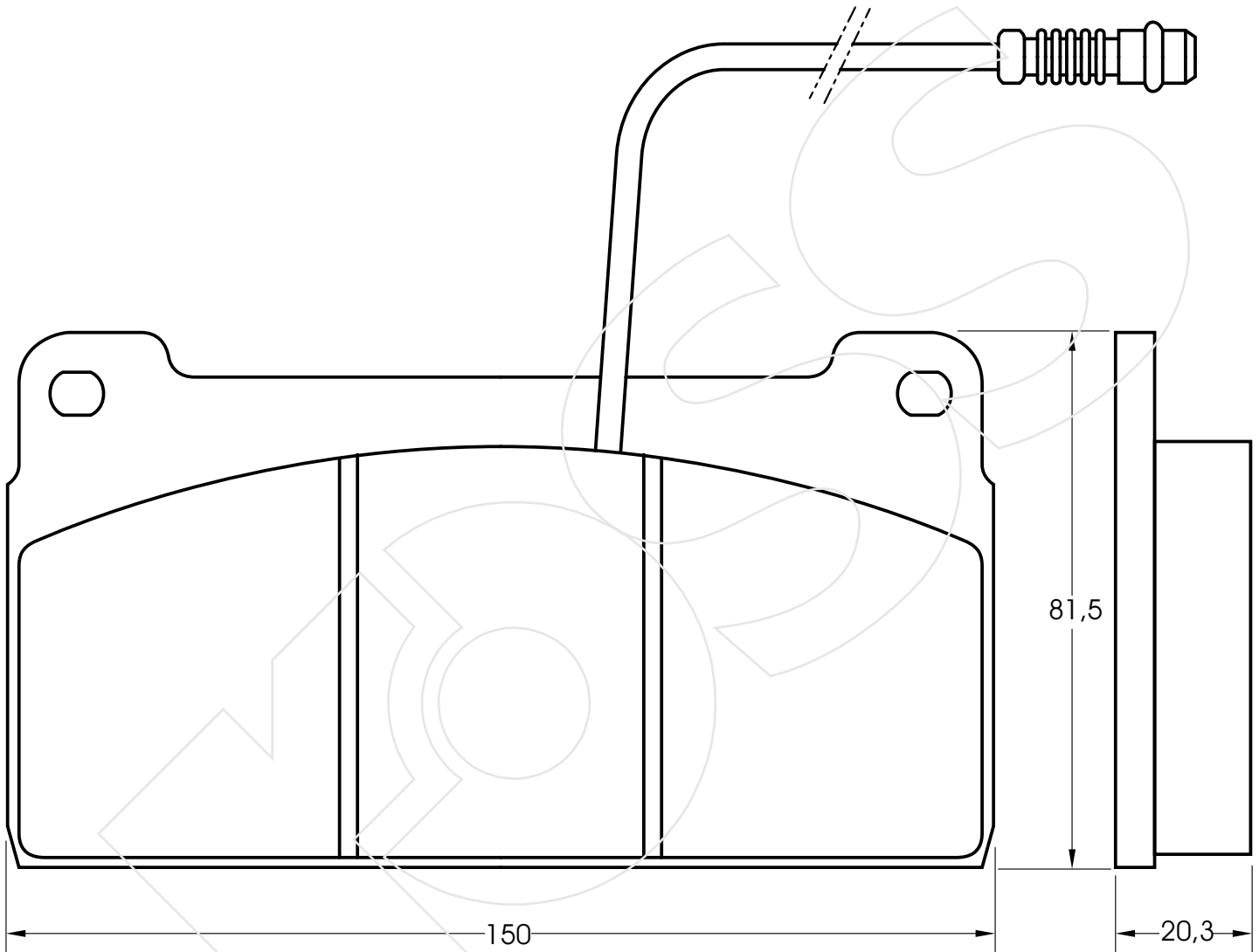
Reference in this Catalogue to other manufactures and to part numbers and other descriptions are for identification purposes only, because the above DISC BRAKE PADS are NOT ORIGINAL but with these interchangeable.

CODICE	IMPIANTO	ASSE	SCALA	APPLICAZIONI
R-5253	PERROT	ANTERIORE	1:1	IVECO
CODICE COMPONENTI	N°	L(mm)	SERIE	
F3029	2	225	2 PEZZI CON SEGNALETORE	
*	*		2 PEZZI SENZA	
*	*			
CODICE ACCESSORI	N°	L(mm)	NOTE	
*	*			
*	*			
*	*			
*	*			



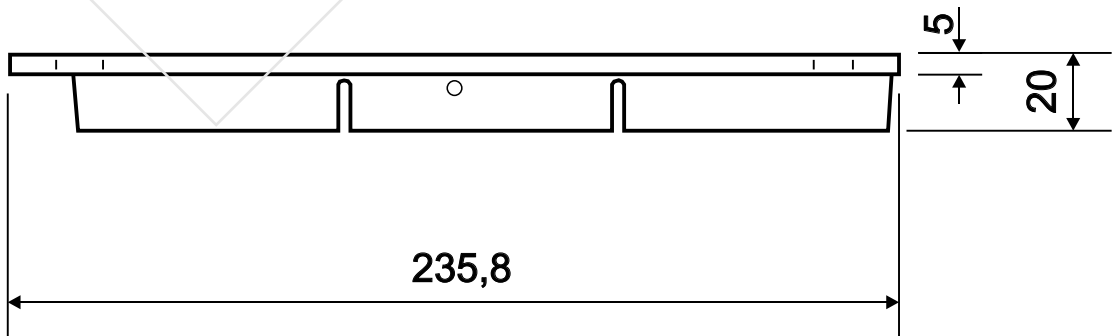
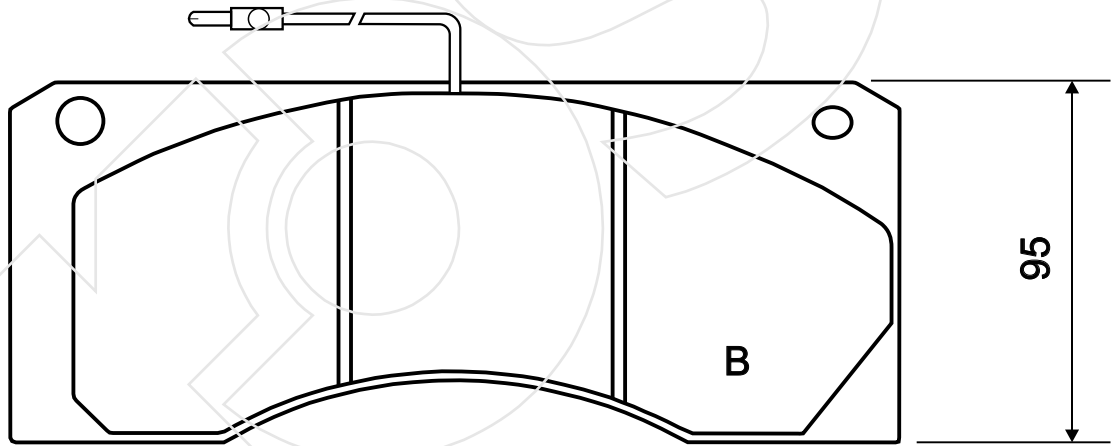
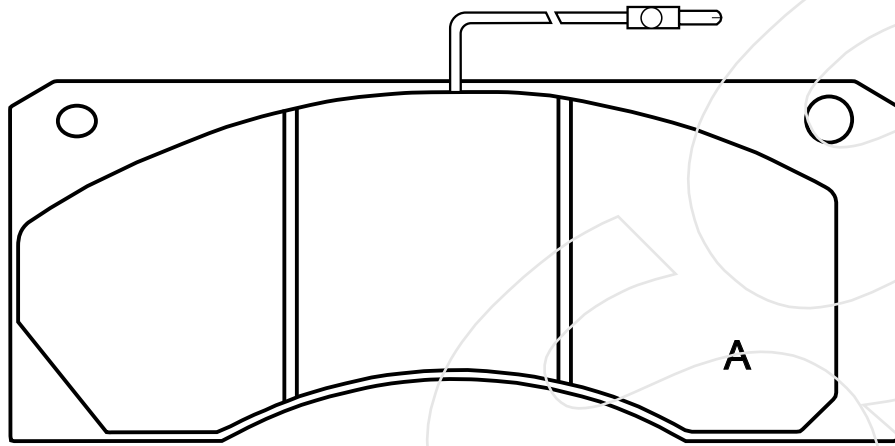
Reference in this Catalogue to other manufactures and to part numbers and other descriptions are for identification purposes only, because the above DISC BRAKE PADS are NOT ORIGINAL but with these interchangeable.

CODICE	IMPIANTO		ASSE	SCALA	APPLICAZIONI
R-5254	ATE		ANTERIORE	100%	MERCEDES
CODICE COMPONENTI	N°	L(mm)	SERIE		
*	*	*	4 PEZZI		
*	*	*			
*	*	*			
*	*	*			
CODICE ACCESSORI	N°	L(mm)	NOTE		
*	*	*			
*	*	*			
*	*	*			
*	*	*			



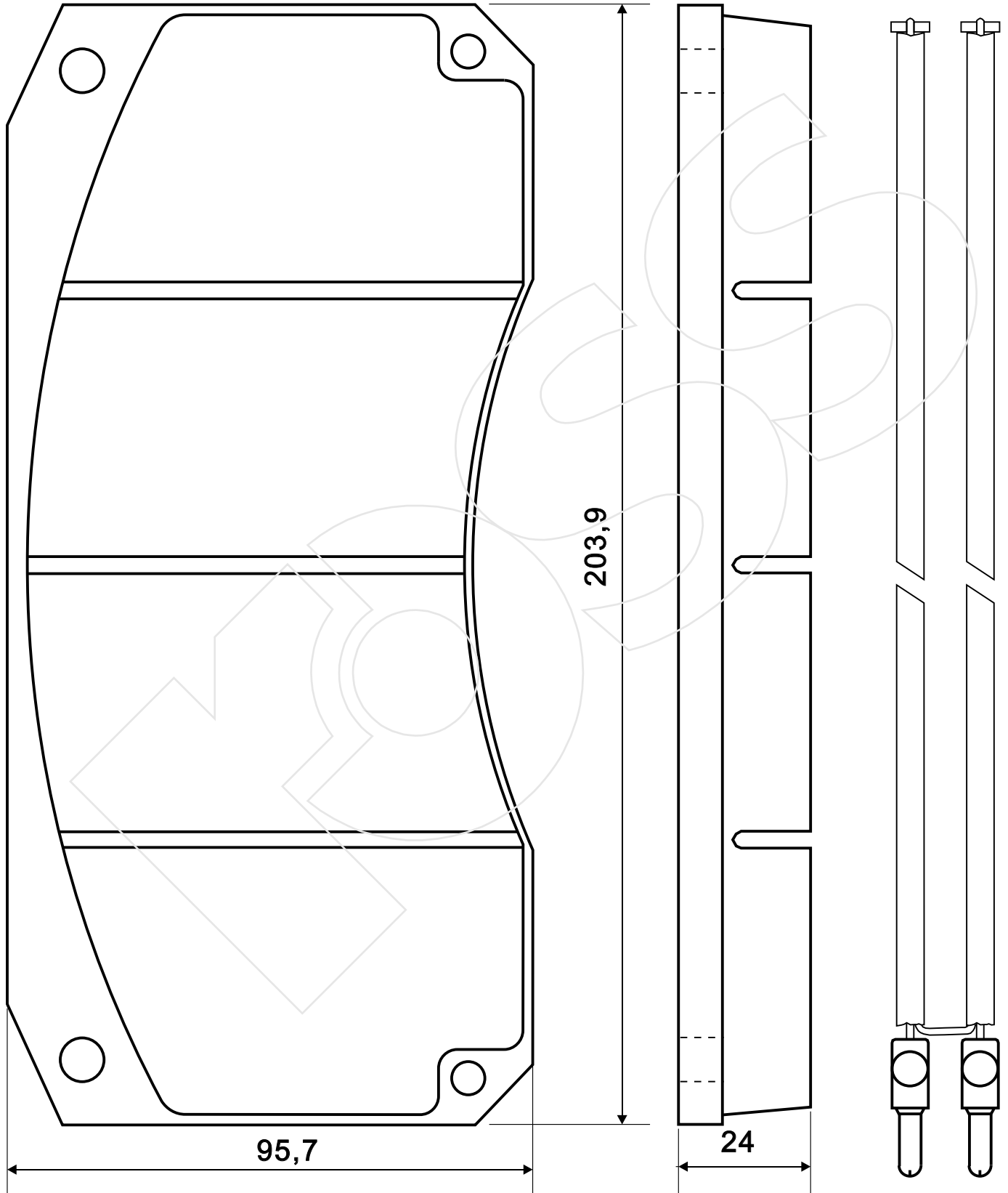
Reference in this Catalogue to other manufactures and to part numbers and other descriptions are for identification purposes only, because the above DISC BRAKE PADS are NOT ORIGINAL but with these interchangeable.

CODICE	IMPIANTO		ASSE	SCALA	APPLICAZIONI
R-5255	GIRLING		ANTERIORE	1:2	RENAULT
CODICE COMPONENTI	N°	L(mm)	SERIE		
F3009	2	350	2 PEZZI TIPO A		
F3009	2	350	2 PEZZI TIPO B		
*	*				
CODICE ACCESSORI	N°	L(mm)	NOTE		
*	*				
*	*				
*	*				
*	*				



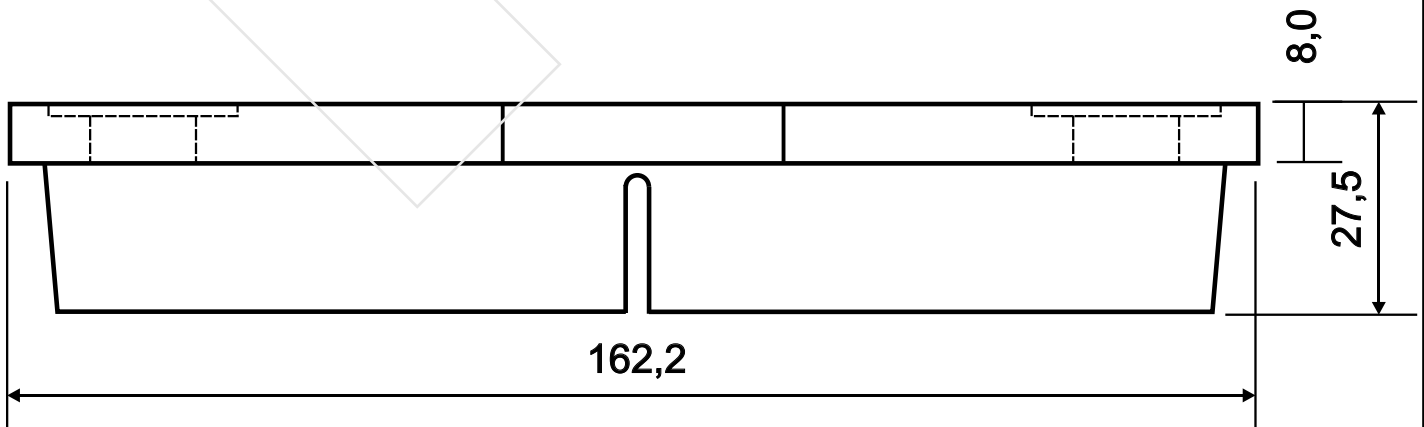
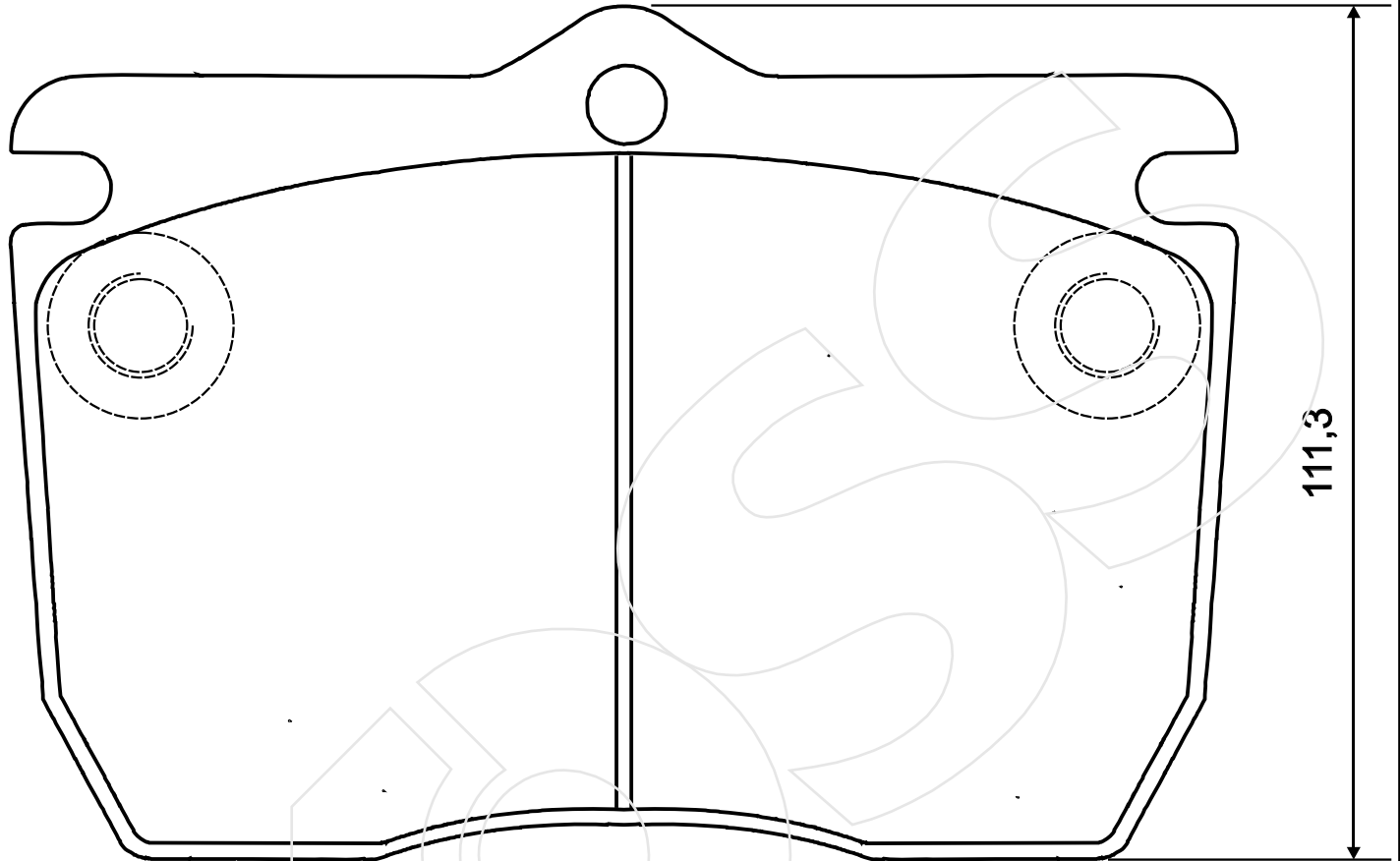
Reference in this Catalogue to other manufactures and to part numbers and other descriptions are for identification purposes only, because the above DISC BRAKE PADS are NOT ORIGINAL but with these interchangeable.

CODICE	IMPIANTO		ASSE	SCALA	APPLICAZIONI
R-5256	PERROT		ANTERIORE	1:1	RENAULT
CODICE COMPONENTI	N°	L(mm)	SERIE		
*	*		4 PEZZI +		
F3066	2	420	4 CAVI SEGNALATORI		
*	*				
CODICE ACCESSORI	N°	L(mm)	NOTE		
*	*		*		
*	*		*		
*	*		*		
*	*		*		



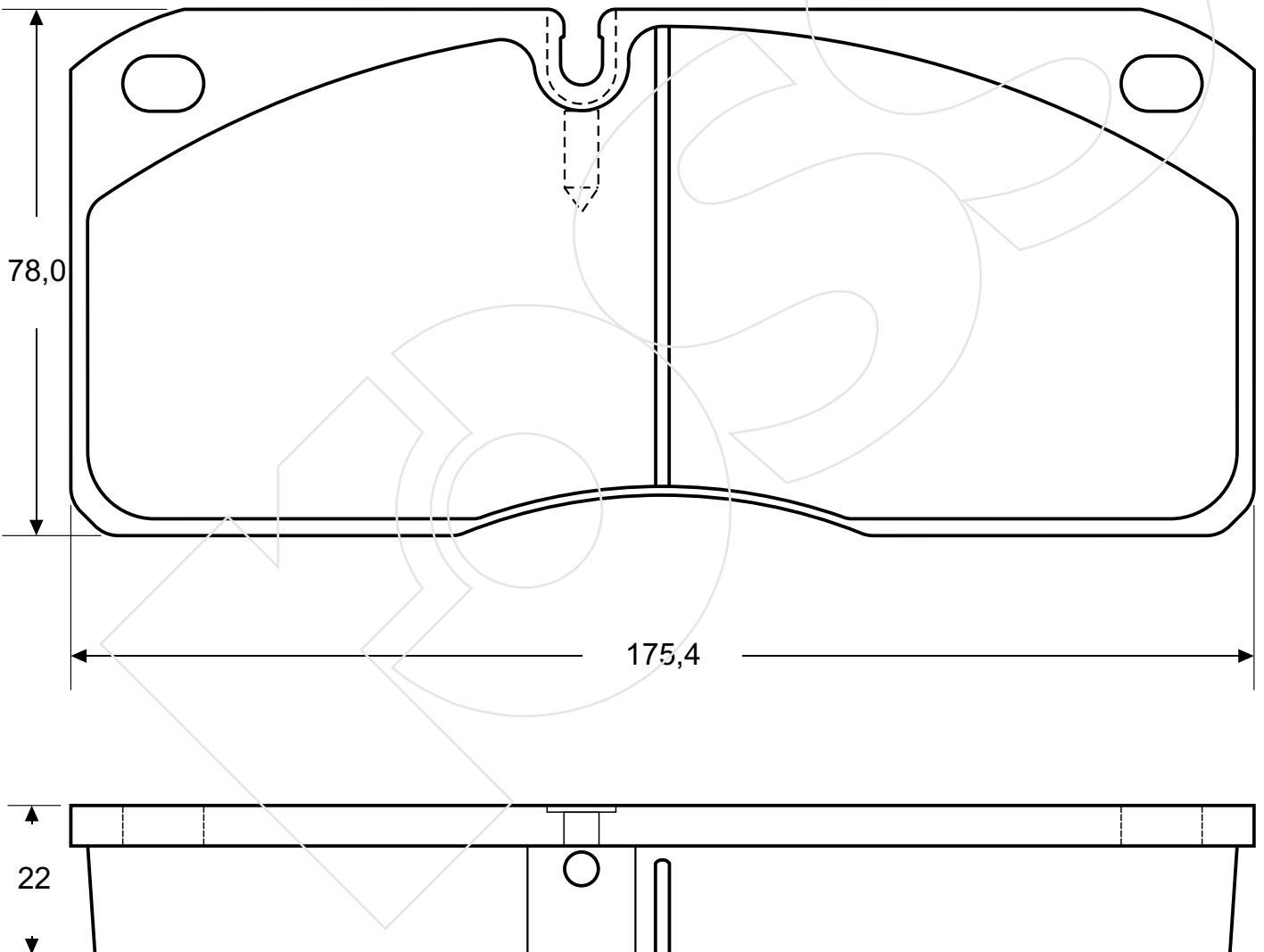
Reference in this Catalogue to other manufactures and to part numbers and other descriptions are for identification purposes only, because the above DISC BRAKE PADS are NOT ORIGINAL but with these interchangeable.

CODICE	IMPIANTO	ASSE	SCALA	APPLICAZIONI
R-5257	PERROT	ANTERIORE	1:1	INBUS
CODICE COMPONENTI	N°	L(mm)	SERIE	
*	*	*	2 PEZZI CON FORI FILETTALI	
*	*	*	6 PEZZI SENZA	
*	*	*		
CODICE ACCESSORI	N°	L(mm)	NOTE	
*	*	*		
*	*	*		
*	*	*		
*	*	*		



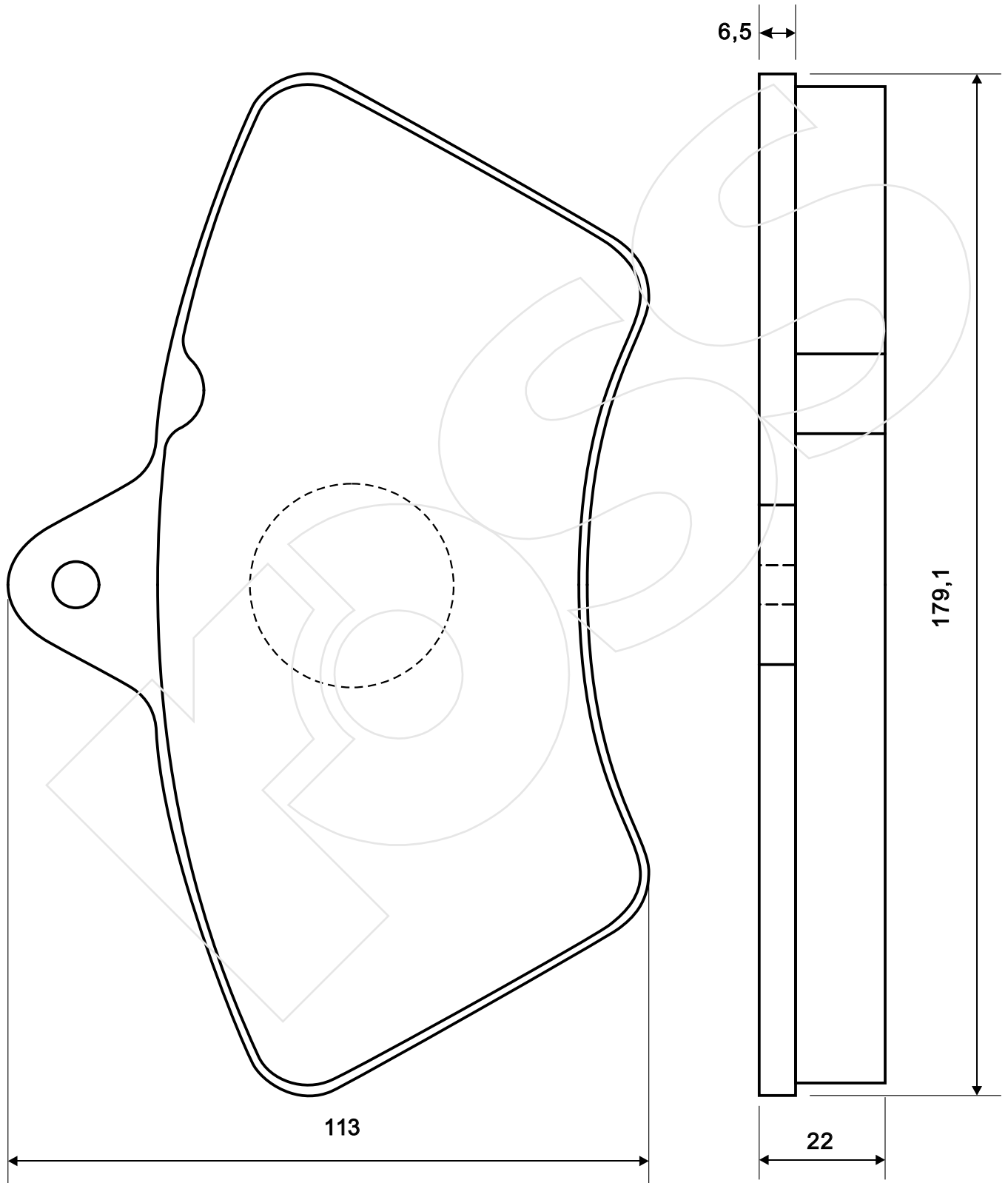
Reference in this Catalogue to other manufactures and to part numbers and other descriptions are for identification purposes only, because the above DISC BRAKE PADS are NOT ORIGINAL but with these interchangeable.

CODICE	IMPIANTO		ASSE	SCALA	APPLICAZIONI
R-5258	GIRLING		ANTERIORE	1:1	FIAT: EUROCARGO
CODICE COMPONENTI	N°	L(mm)	SERIE		
			4 PEZZI		
*	*		*		
*	*		*		
CODICE ACCESSORI	N°	L(mm)	NOTE		
*	*		*		
*	*		*		
*	*		*		
*	*		*		



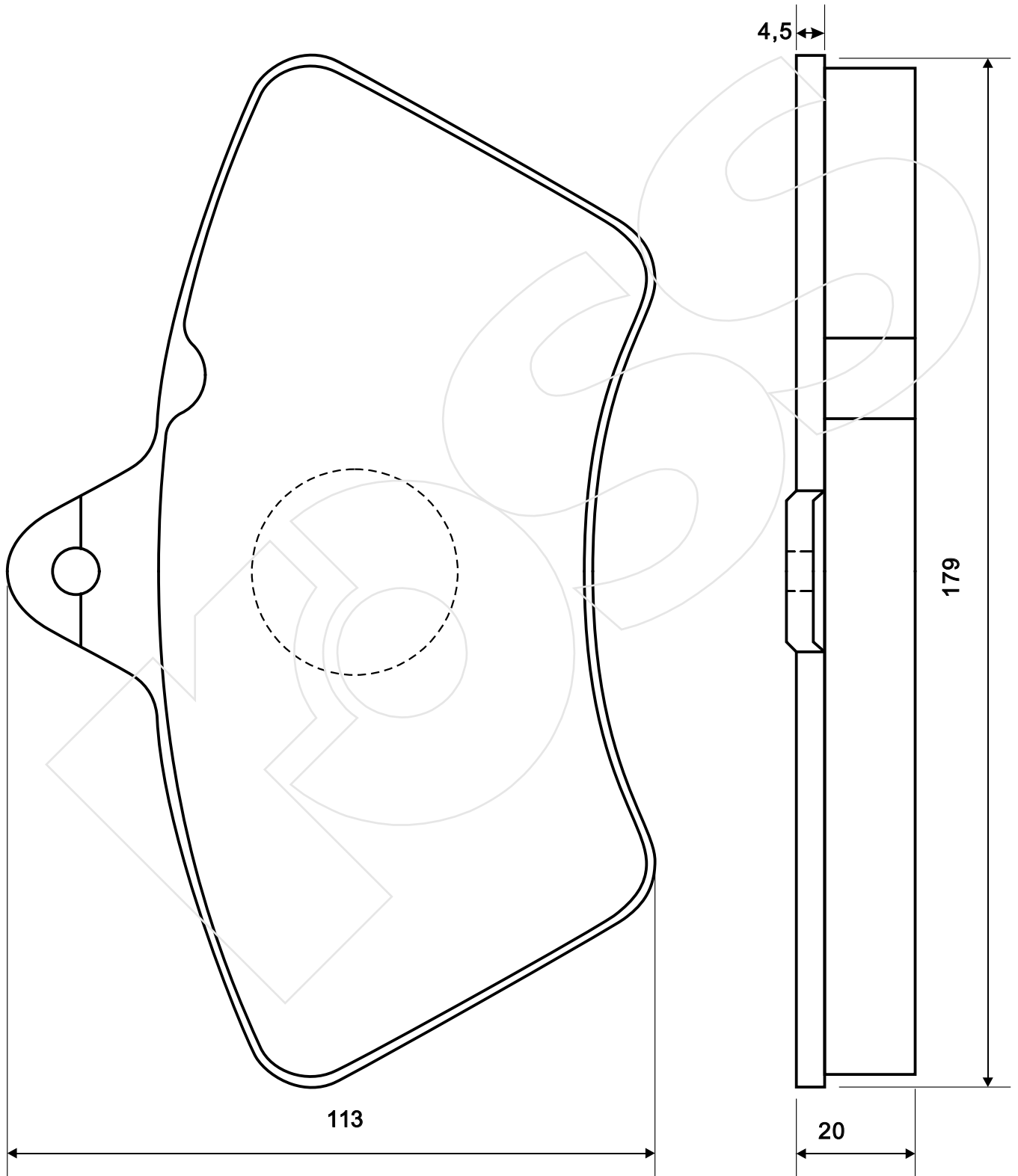
Reference in this Catalogue to other manufactures and to part numbers and other descriptions are for identification purposes only, because the above DISC BRAKE PADS are NOT ORIGINAL but with these interchangeable.

CODICE	IMPIANTO	ASSE	SCALA	APPLICAZIONI
R-5259	KNOOR	ANTERIORE	1:1	KÄSSBOHRER
CODICE COMPONENTI	N°	L(mm)	SERIE	
*	*	*	8 PEZZI	
*	*			
*	*			
CODICE ACCESSORI	N°	L(mm)	NOTE	
*	*			
*	*			
*	*			
*	*			



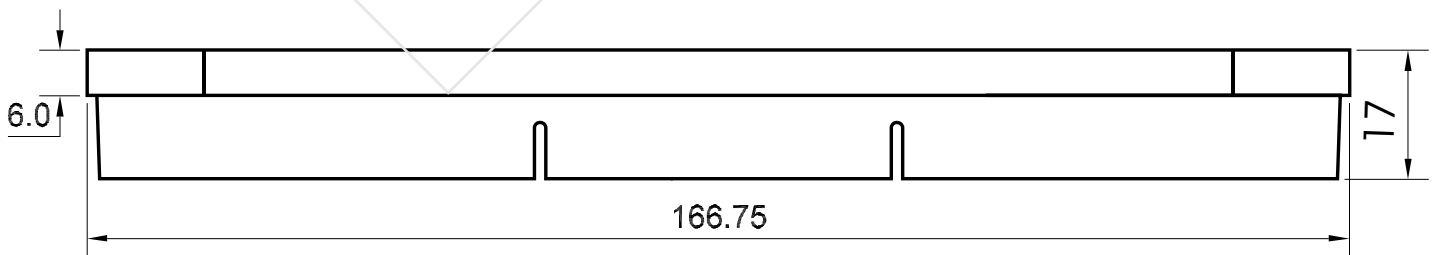
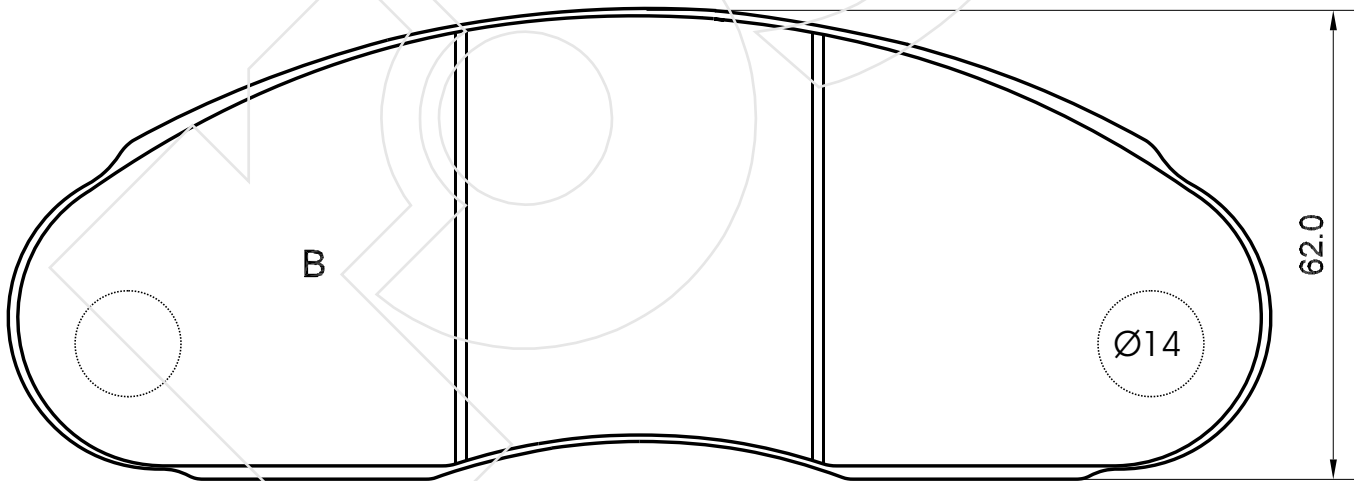
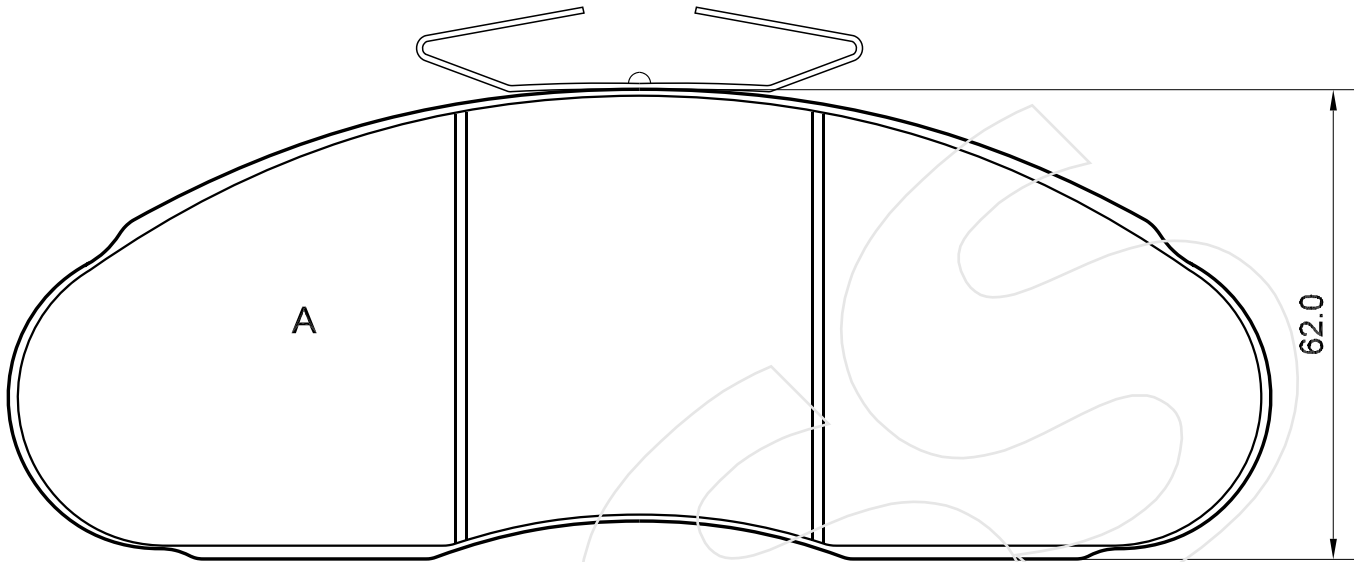
Reference in this Catalogue to other manufactures and to part numbers and other descriptions are for identification purposes only, because the above DISC BRAKE PADS are NOT ORIGINAL but with these interchangeable.

CODICE	IMPIANTO	ASSE	SCALA	APPLICAZIONI
R-5260	KNOOR	ANTERIORE	1:1	KÄSSBOHRER
CODICE COMPONENTI	N°	L(mm)	SERIE	
*	*	*	8 PEZZI	
*	*			
*	*			
CODICE ACCESSORI	N°	L(mm)	NOTE	
*	*			
*	*			
*	*			
*	*			



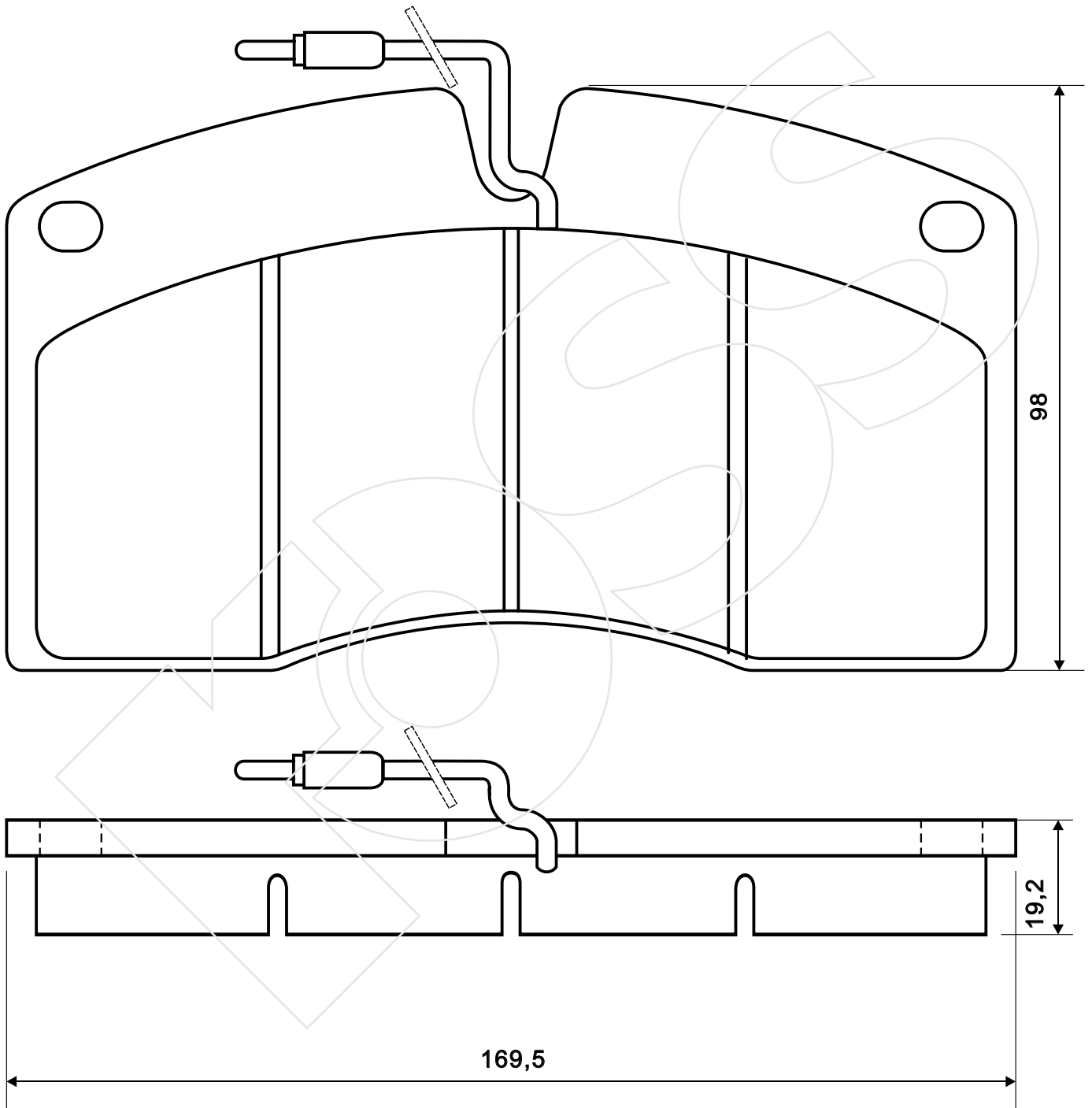
Reference in this Catalogue to other manufactures and to part numbers and other descriptions are for identification purposes only, because the above DISC BRAKE PADS are NOT ORIGINAL but with these interchangeable.

CODICE	IMPIANTO	ASSE	SCALA	APPLICAZIONI
R-5261	BENDIX	ANTERIORE	100%	RENAULT
CODICE COMPONENTI	N°	L(mm)	SERIE	
M0085+P1008	2+2	*	2 PEZZI TIPO A	
			2 PEZZI TIPO B	
*	*	*	*	
CODICE ACCESSORI	N°	L(mm)	NOTE	
*	*	*		
*	*	*		
*	*	*		
*	*	*		



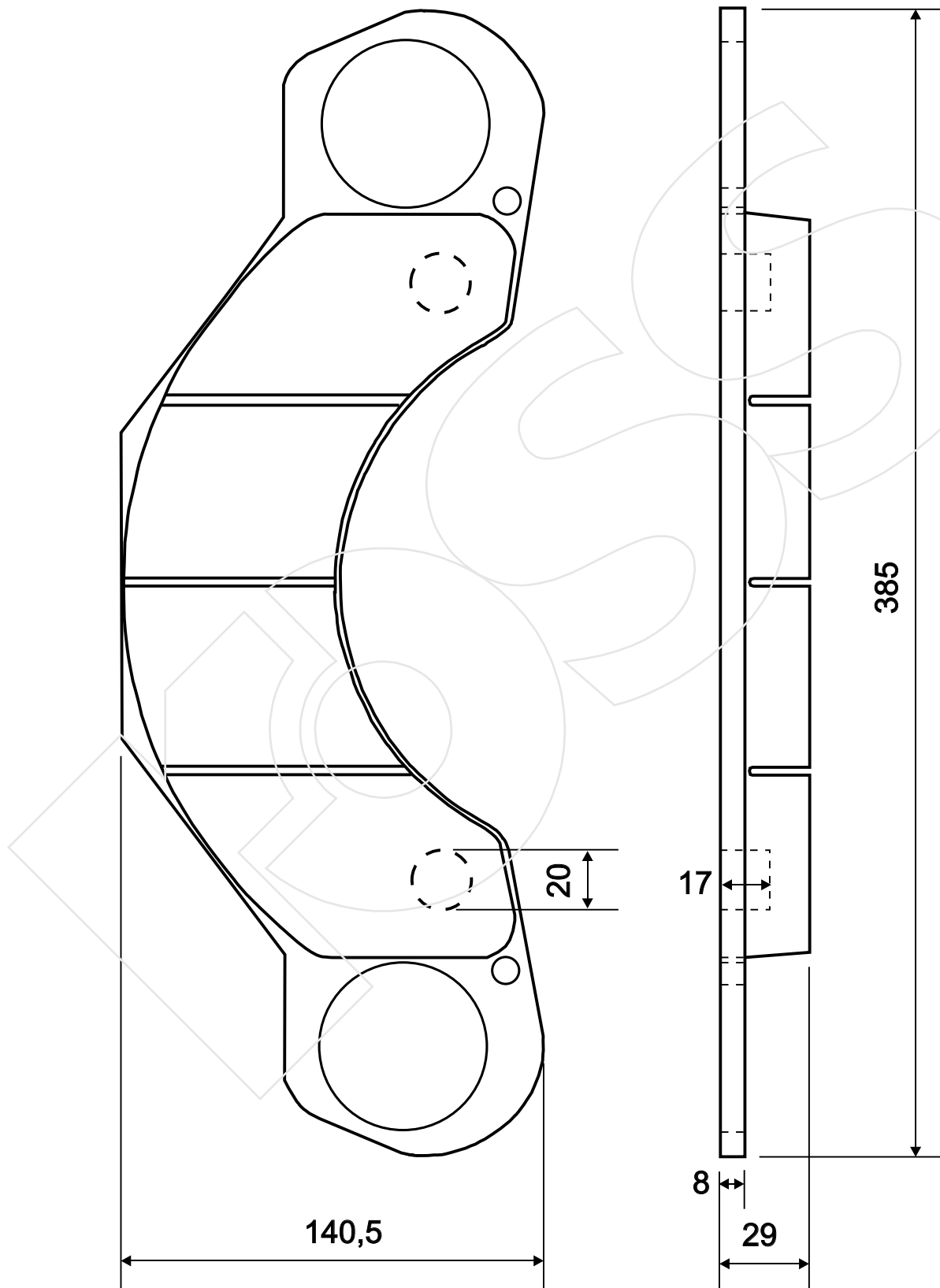
Reference in this Catalogue to other manufactures and to part numbers and other descriptions are for identification purposes only, because the above DISC BRAKE PADS are NOT ORIGINAL but with these interchangeable.

CODICE	IMPIANTO	ASSE	SCALA	APPLICAZIONI
R-5262	BREMBO	ANTERIORE	1:1	RVI
CODICE COMPONENTI	N°	L(mm)	SERIE	
F3009	8	350	8 PEZZI	
*	*			
*	*			
CODICE ACCESSORI	N°	L(mm)	NOTE	
*	*			
*	*			
*	*			
*	*			



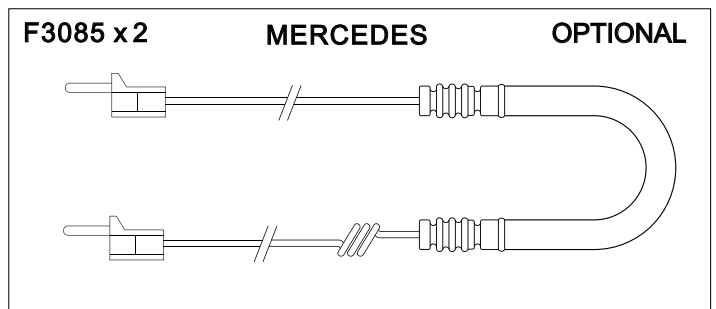
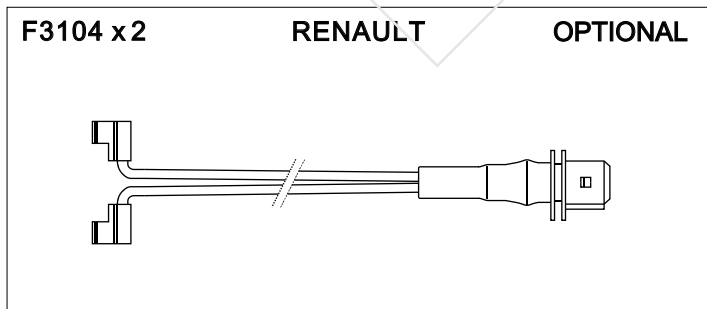
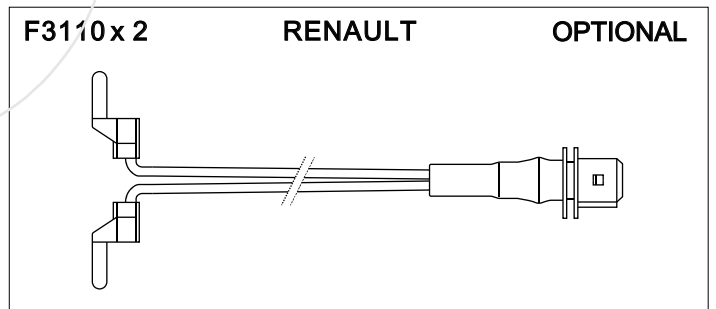
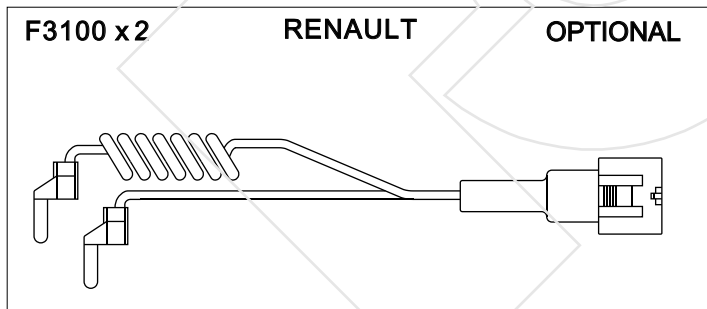
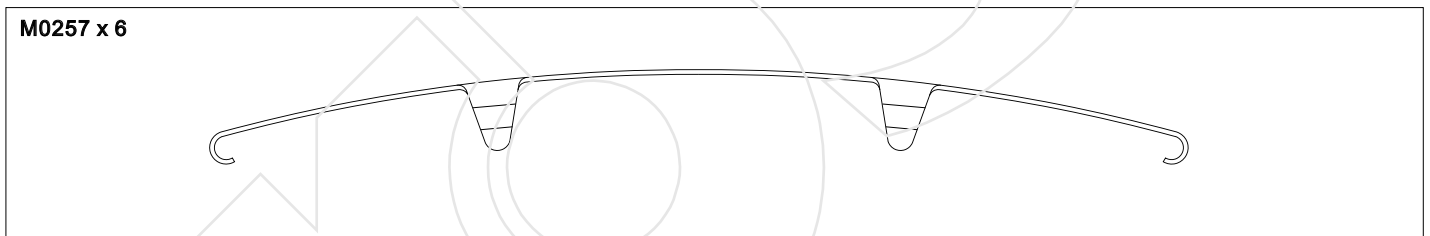
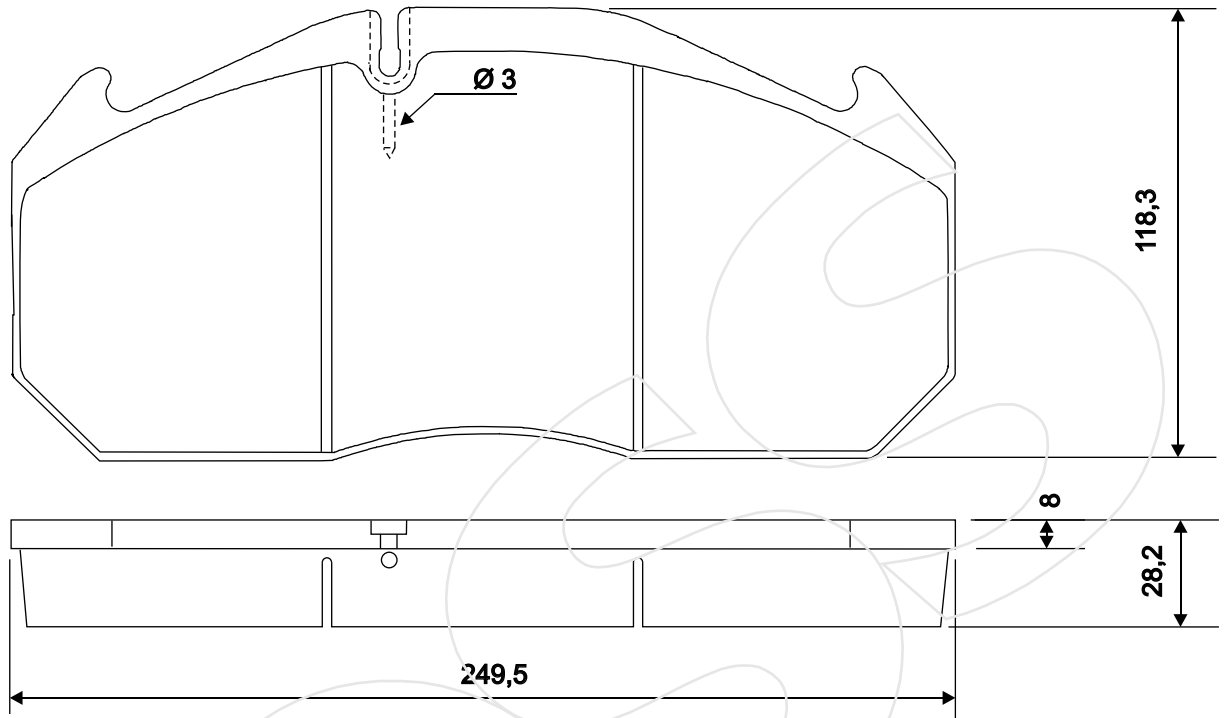
Reference in this Catalogue to other manufactures and to part numbers and other descriptions are for identification purposes only, because the above DISC BRAKE PADS are NOT ORIGINAL but with these interchangeable.

CODICE	IMPIANTO		ASSE	SCALA	APPLICAZIONI
R-5263	ATE		ANTERIORE	1:2	KASSBOHRER SETRA
CODICE COMPONENTI	N°	L(mm)	SERIE		
*	*	*	4 PEZZI		
*	*		*		
*	*		*		
CODICE ACCESSORI	N°	L(mm)	NOTE		
*	*		*		
*	*		*		
*	*		*		
*	*		*		



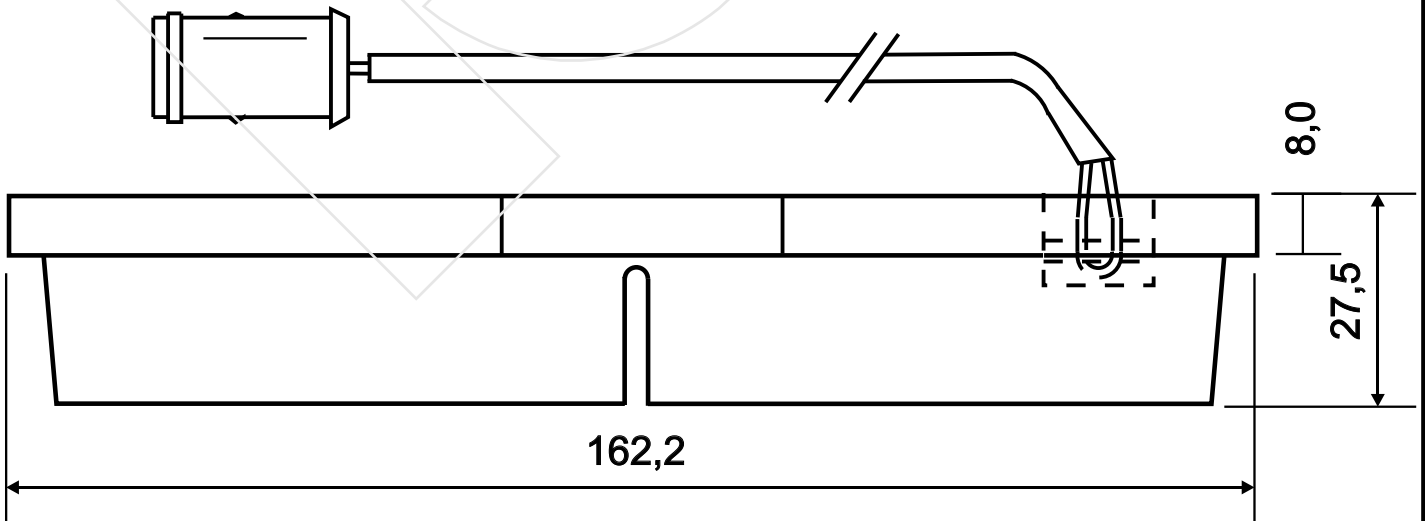
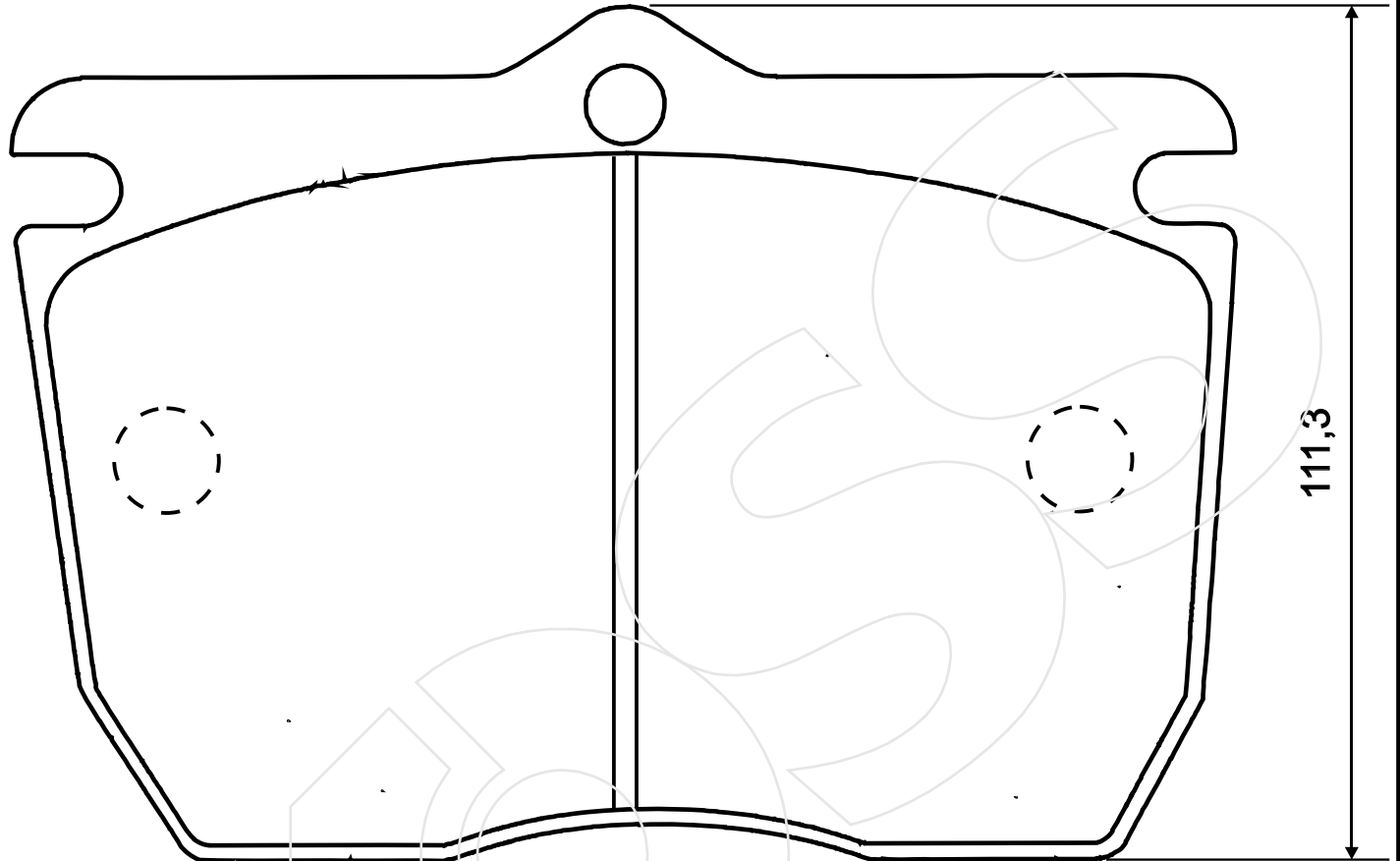
Reference in this Catalogue to other manufactures and to part numbers and other descriptions are for identification purposes only, because the above DISC BRAKE PADS are NOT ORIGINAL but with these interchangeable.

CODICE	IMPIANTO		ASSE	SCALA	APPLICAZIONI
R-5264	LUCAS		ANTERIORE	50%	KASSBOHRER MERCEDES RENAULT
CODICE COMPONENTI	N°	L(mm)	SERIE		
M0257	6	*	4 PEZZI		
*	*	*			
*	*	*			
OPTIONAL	N°	L(mm)	NOTE		
*	*	*			
*	*	*			
*	*	*			
*	*	*			



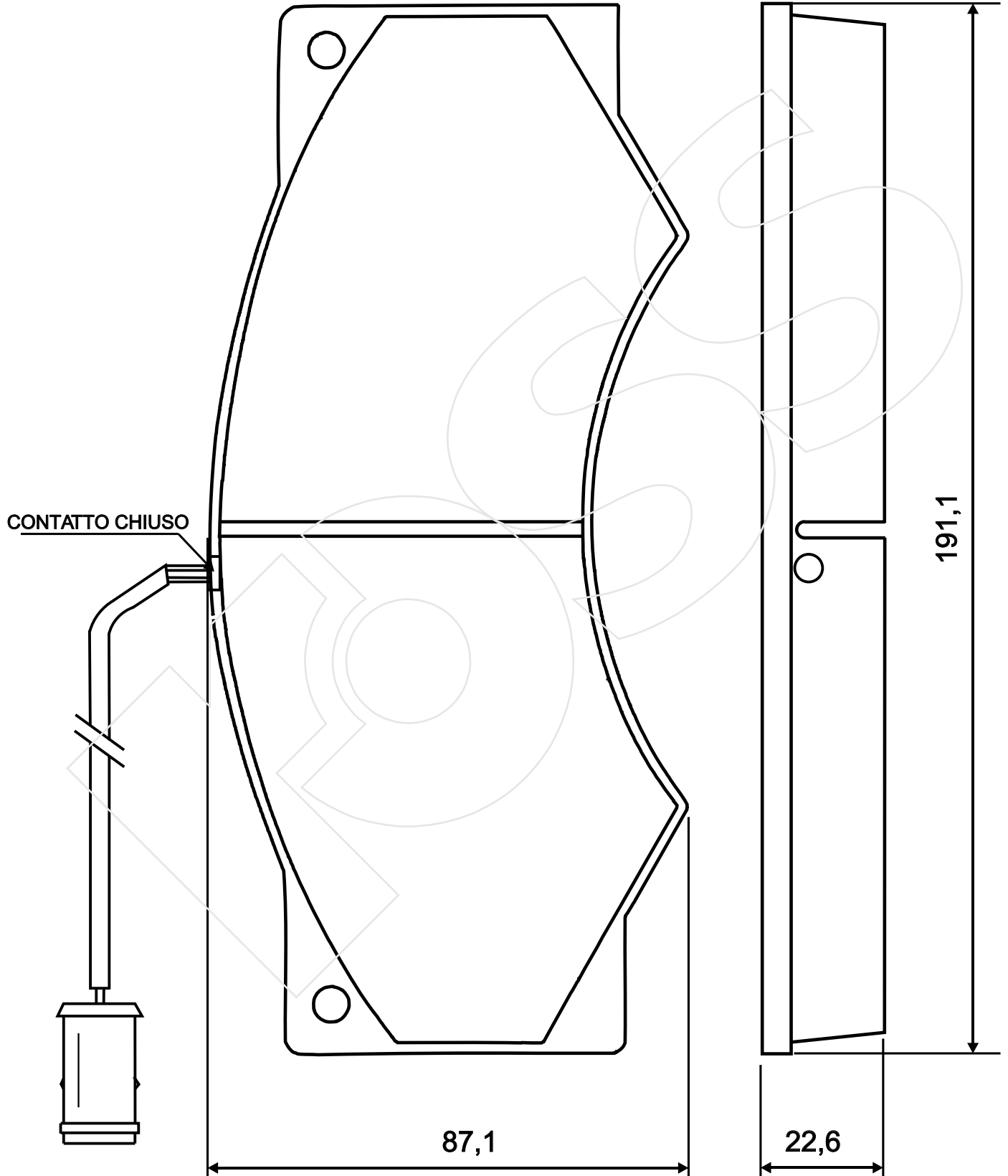
Reference in this Catalogue to other manufactures and to part numbers and other descriptions are for identification purposes only, because the above DISC BRAKE PADS are NOT ORIGINAL but with these interchangeable.

CODICE	IMPIANTO		ASSE	SCALA	APPLICAZIONI
R-5265	PERROT		ANTERIORE	1:1	HANOMAG INBUS KÄSSBOHRER
CODICE COMPONENTI	N°	L(mm)	SERIE		
F3064	2	410	2 PEZZI CON SEGNALETORE		
*	*		6 PEZZI SENZA		
*	*				
CODICE ACCESSORI	N°	L(mm)	NOTE		
*	*				
*	*				
*	*				
*	*				



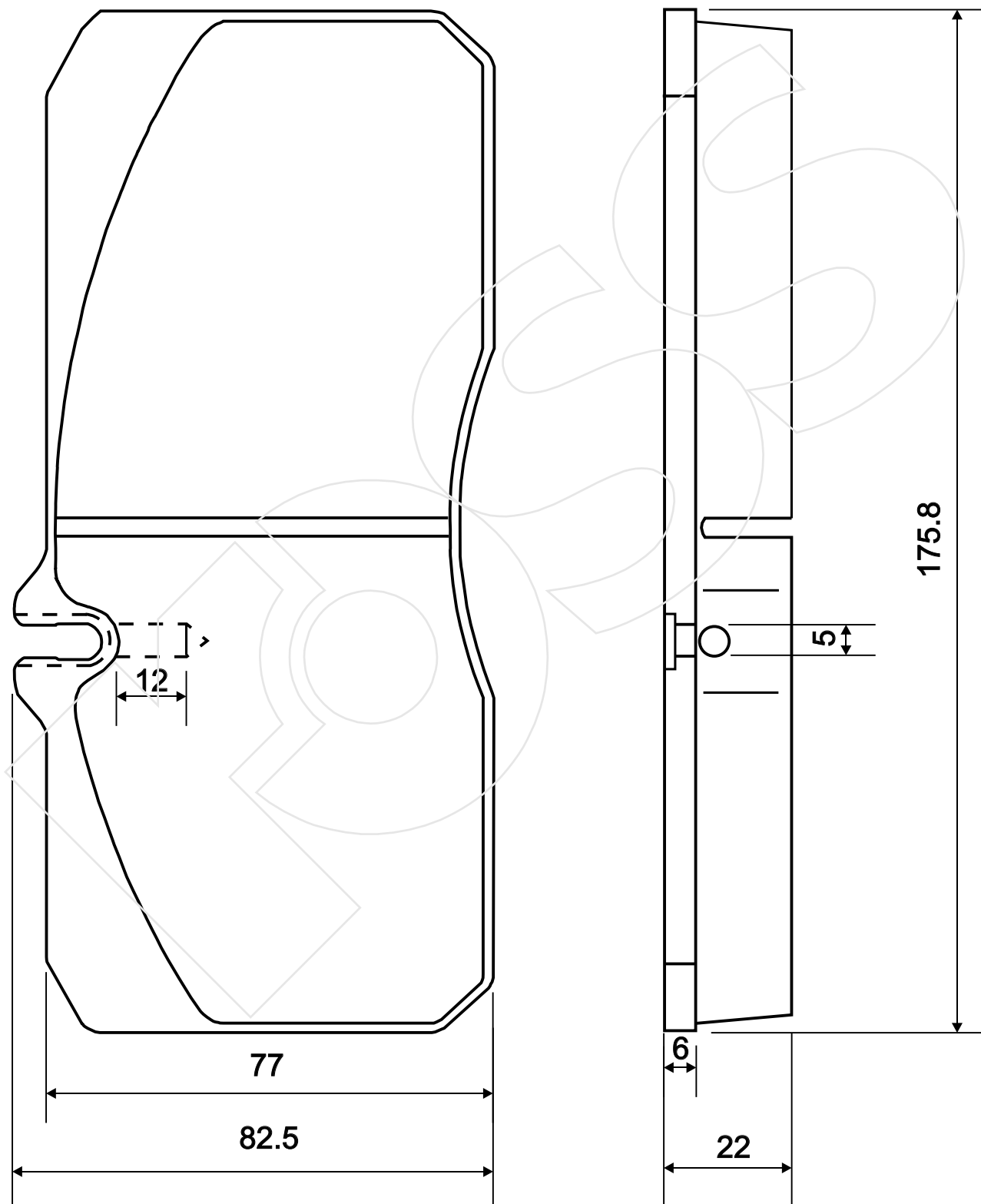
Reference in this Catalogue to other manufactures and to part numbers and other descriptions are for identification purposes only, because the above DISC BRAKE PADS are NOT ORIGINAL but with these interchangeable.

CODICE	IMPIANTO	ASSE	SCALA	APPLICAZIONI
R-5266	PERROT	ANTERIORE	1:1	FIAT IVECO
CODICE COMPONENTI	N°	L(mm)	SERIE	
F3030	2	410	2 PEZZI CON SEGNALETORE	
*	*		2 PEZZI SENZA	
*	*			
CODICE ACCESSORI	N°	L(mm)	NOTE	
*	*			
*	*			
*	*			
*	*			



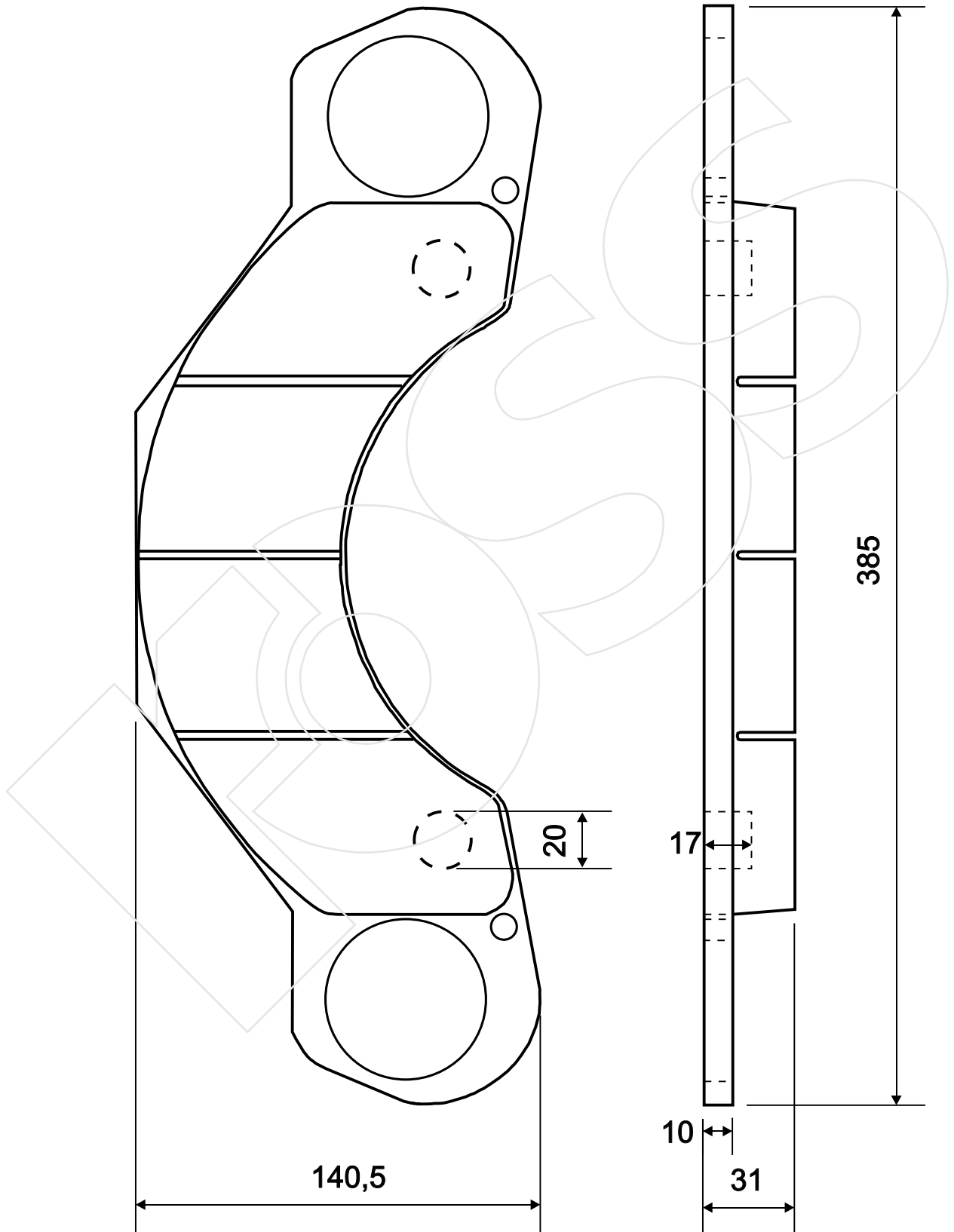
Reference in this Catalogue to other manufactures and to part numbers and other descriptions are for identification purposes only, because the above DISC BRAKE PADS are NOT ORIGINAL but with these interchangeable.

CODICE	IMPIANTO	ASSE	SCALA	APPLICAZIONI
R-5267	GIRLING	ANTERIORE	1:1	MAN
CODICE COMPONENTI	N°	L(mm)	SERIE	
*	*	*	4 PEZZI	
*	*	*	*	
*	*	*	*	
CODICE ACCESSORI	N°	L(mm)	NOTE	
*	*	*	*	
*	*	*	*	
*	*	*	*	
*	*	*	*	



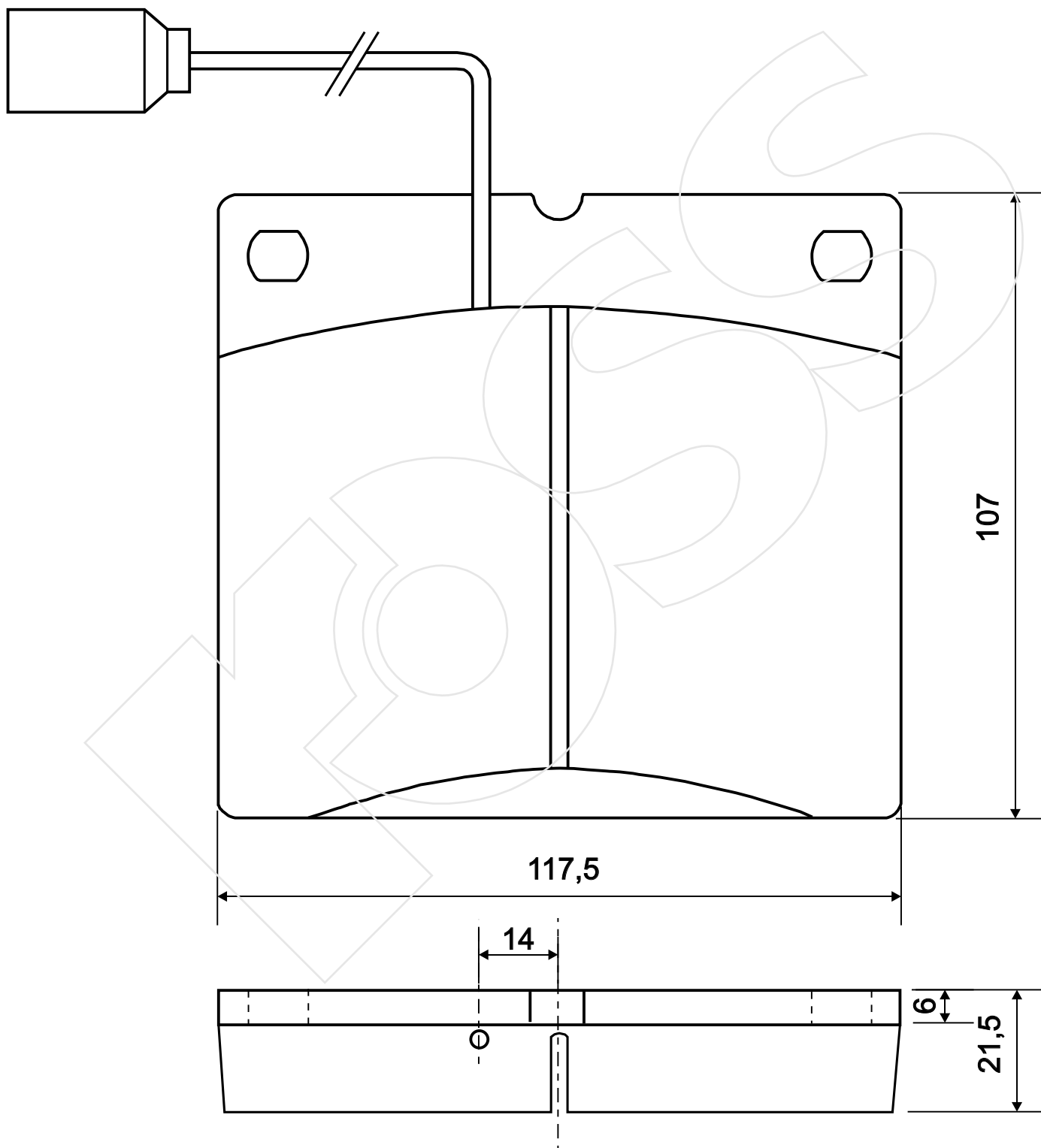
Reference in this Catalogue to other manufactures and to part numbers and other descriptions are for identification purposes only, because the above DISC BRAKE PADS are NOT ORIGINAL but with these interchangeable.

CODICE	IMPIANTO		ASSE	SCALA	APPLICAZIONI
R-5268	ATE		ANTERIORE	1:2	KASSBOHRER SETRA
CODICE COMPONENTI	N°	L(mm)	SERIE		
*	*	*	4 PEZZI		
*	*		*		
*	*		*		
CODICE ACCESSORI	N°	L(mm)	NOTE		
*	*		*		
*	*		*		
*	*		*		
*	*		*		



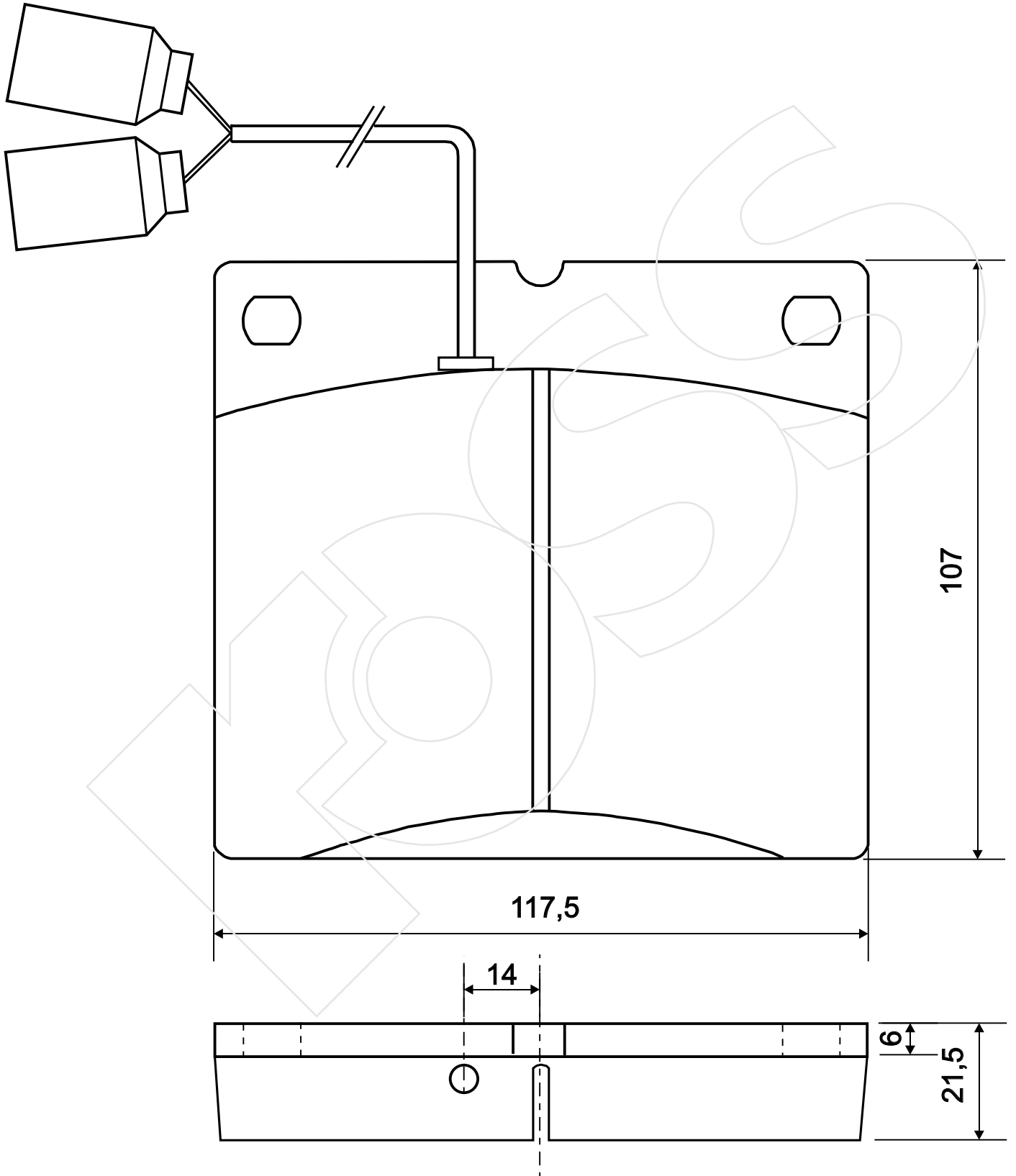
Reference in this Catalogue to other manufactures and to part numbers and other descriptions are for identification purposes only, because the above DISC BRAKE PADS are NOT ORIGINAL but with these interchangeable.

CODICE	IMPIANTO		ASSE	SCALA	APPLICAZIONI
R-5269	BREMBO		ANTERIORE	1:1	MENARINI
CODICE COMPONENTI	N°	L(mm)	SERIE		
F3071	2	210	2 PEZZI CON CAVO SEGNALATORE		
*	*		2 PEZZI SENZA CAVO SEGNALATORE		
CODICE ACCESSORI	N°	L(mm)	NOTE		
*	*				
*	*				
*	*				
*	*				



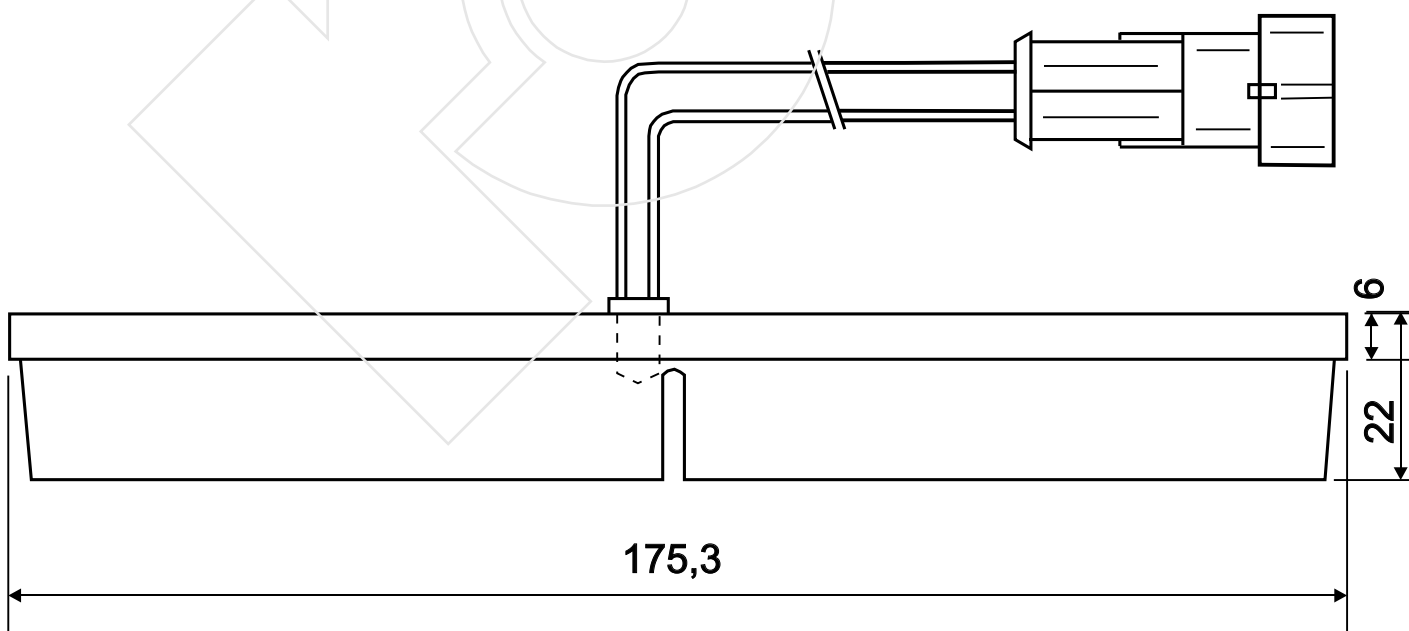
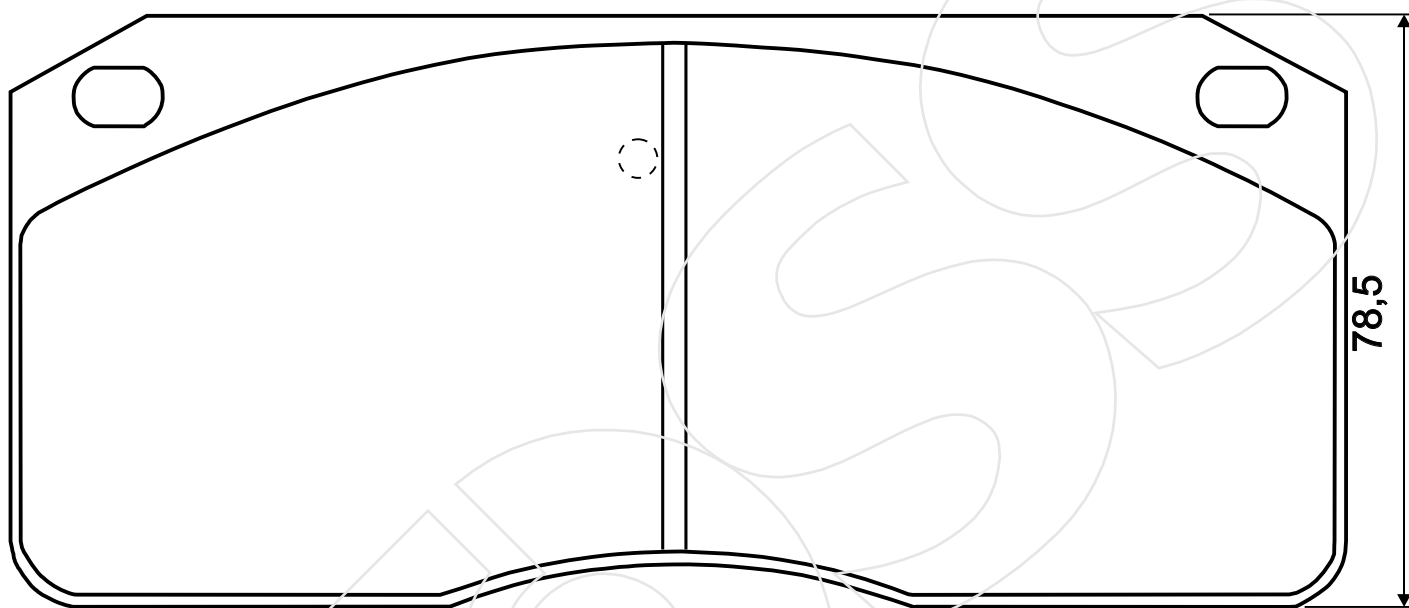
Reference in this Catalogue to other manufactures and to part numbers and other descriptions are for identification purposes only, because the above DISC BRAKE PADS are NOT ORIGINAL but with these interchangeable.

CODICE	IMPIANTO		ASSE	SCALA	APPLICAZIONI
R-5270	BREMBO		ANTERIORE	1:1	MENARINI
CODICE COMPONENTI	N°	L(mm)	SERIE		
F3072	2	200	2 PEZZI CON CAVO SEGNALATORE		
*	*		2 PEZZI SENZA CAVO SEGNALATORE		
CODICE ACCESSORI	N°	L(mm)	NOTE		
*	*		*		
*	*		*		
*	*		*		
*	*		*		



Reference in this Catalogue to other manufactures and to part numbers and other descriptions are for identification purposes only, because the above DISC BRAKE PADS are NOT ORIGINAL but with these interchangeable.

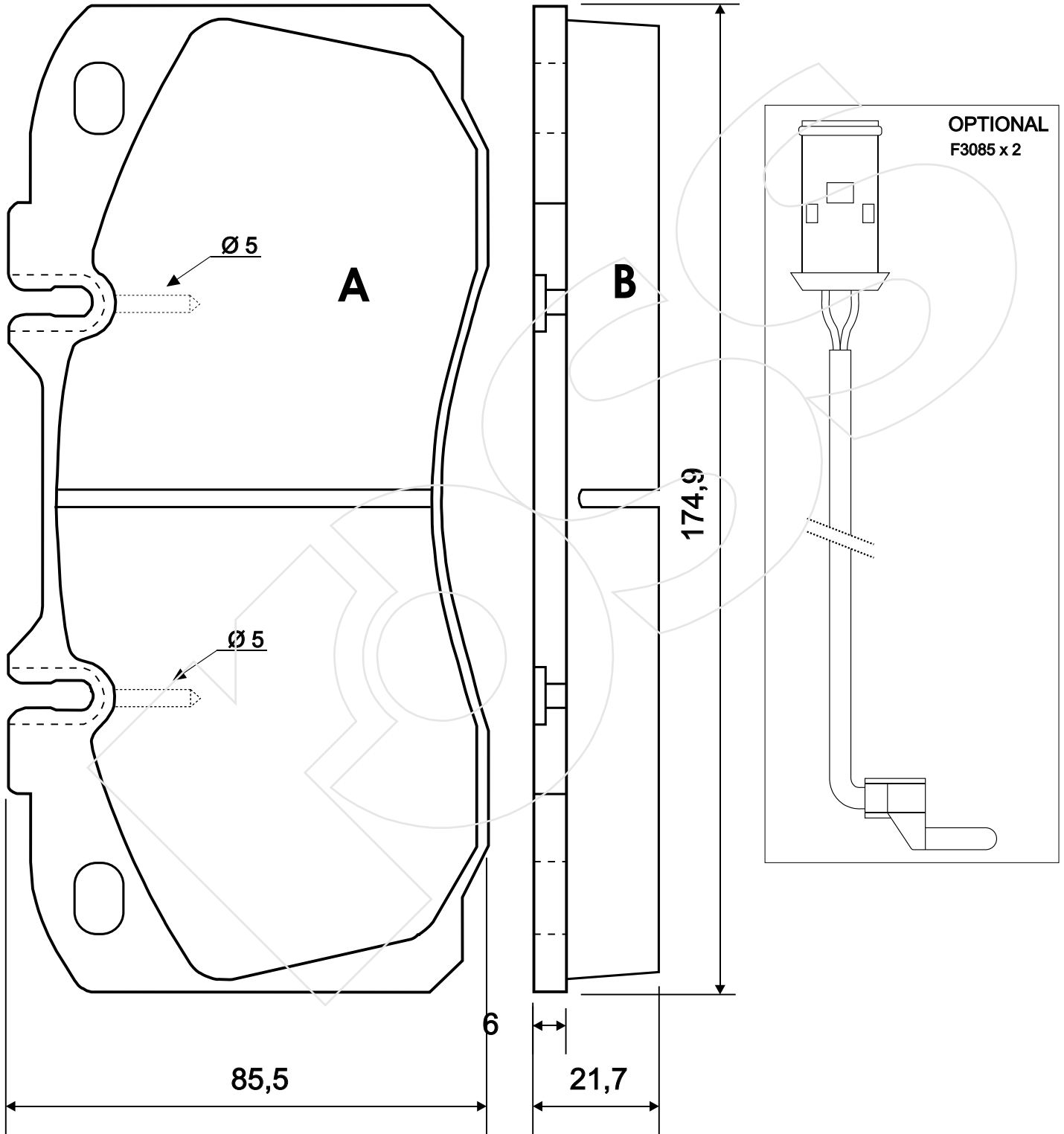
CODICE	IMPIANTO		ASSE	SCALA	APPLICAZIONI
R-5271	GIRLING		ANTERIORE	1:1	FIAT IVECO
CODICE COMPONENTI	N°	L(mm)	SERIE		
F3068	2	280	2 PEZZI CON CAVO SEGNALATORE		
*	*	*	2 PEZZI SENZA CAVO SEGNALATORE		
CODICE ACCESSORI	N°	L(mm)	NOTE		
*	*	*			
*	*	*			
*	*	*			
*	*	*			



Reference in this Catalogue to other manufactures and to part numbers and other descriptions are for identification purposes only, because the above DISC BRAKE PADS are NOT ORIGINAL but with these interchangeable.

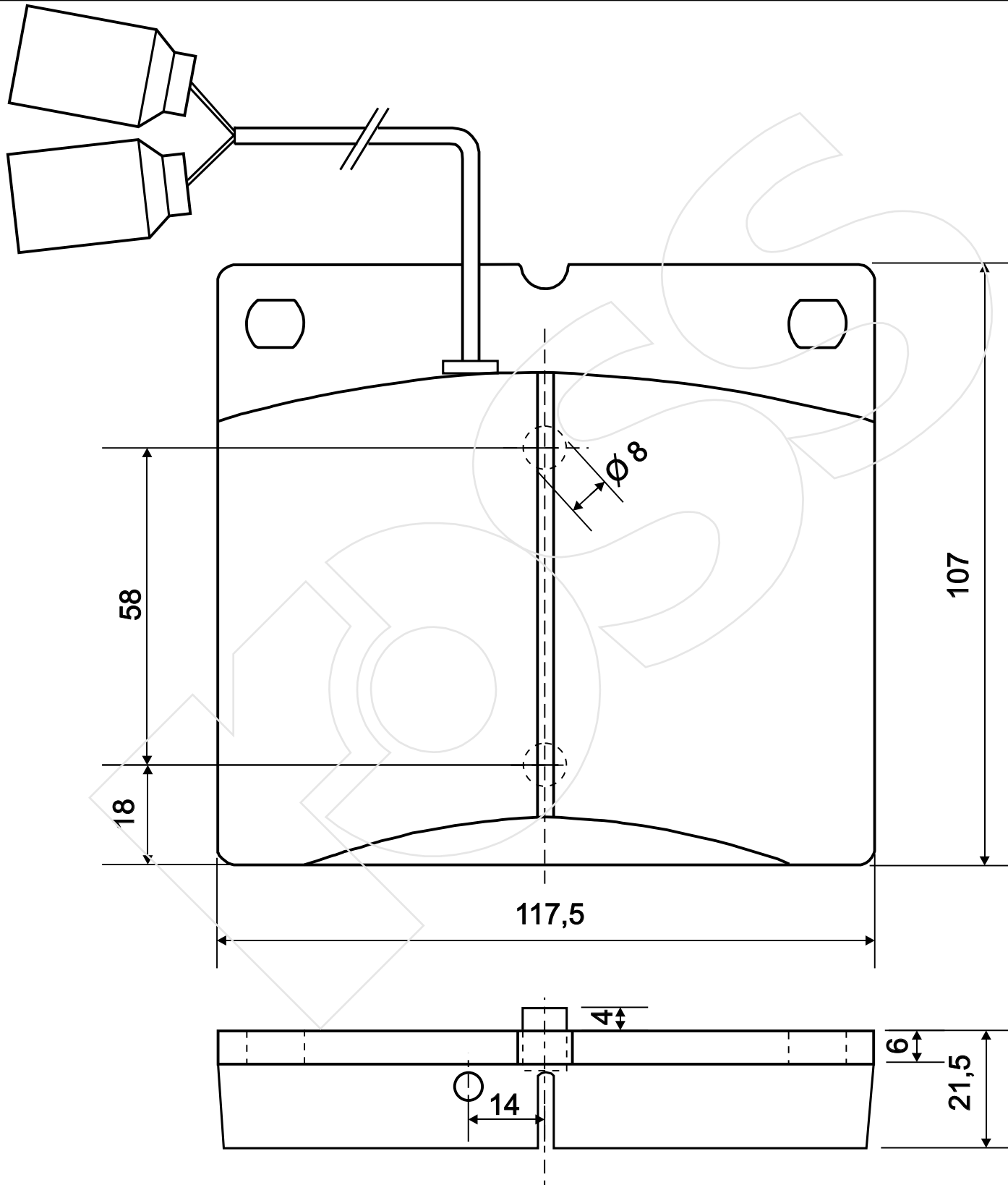
CODICE	IMPIANTO		ASSE	SCALA	APPLICAZIONI
R-5272	LUCAS		ANTERIORE	1:1	IVECO
CODICE COMPONENTI	N°	L(mm)	SERIE		
*	*	*	2 PEZZI A CON FORO		
*	*	*	2 PEZZI B SENZA FORO		
*	*	*	*		
*	*	*	*		
OPTIONAL	N°	L(mm)	NOTE		
F3085	2	500	*		
*	*	*	*		
*	*	*	*		
*	*	*	*		
*	*	*	*		

WVA: 29122



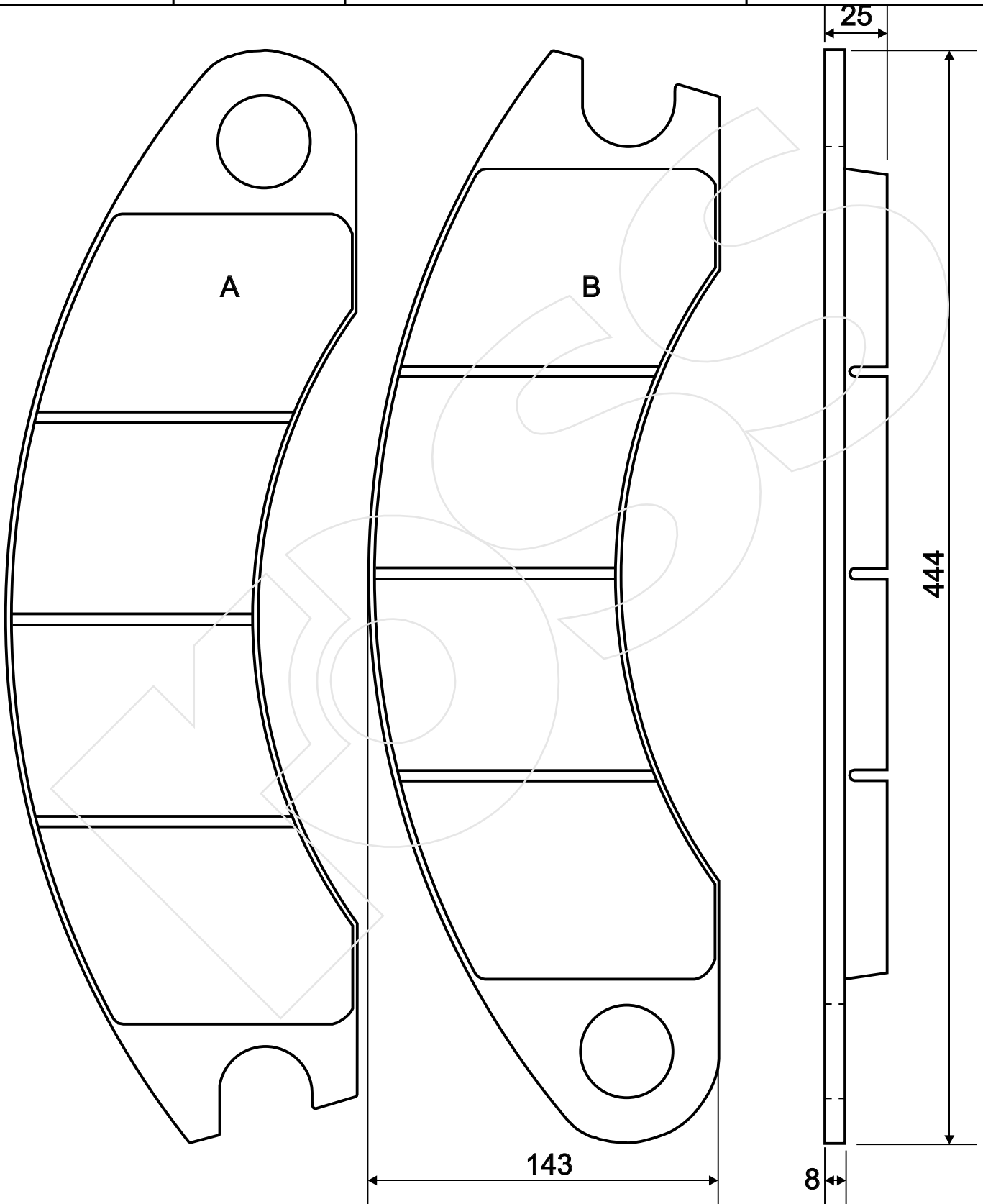
Reference in this Catalogue to other manufactures and to part numbers and other descriptions are for identification purposes only, because the above DISC BRAKE PADS are NOT ORIGINAL but with these interchangeable.

CODICE	IMPIANTO		ASSE	SCALA	APPLICAZIONI
R-5273	BREMBO		POSTERIORE	1:1	MENARINI
CODICE COMPONENTI	N°	L(mm)	SERIE		
F3072	2	200	2 PEZZI CON CAVO SEGN.E DENTINI SUL RETRO		
*	*		6 PEZZI SENZA CAVO SEGN.E SENZA DENTINI		
*	*		*		
CODICE ACCESSORI	N°	L(mm)	NOTE		
*	*		*		
*	*		*		
*	*		*		
*	*		*		



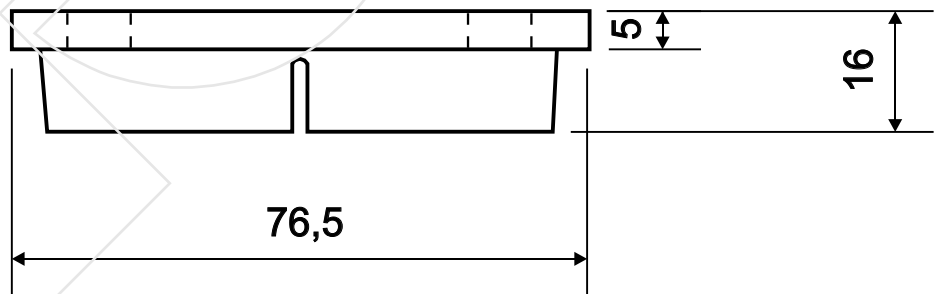
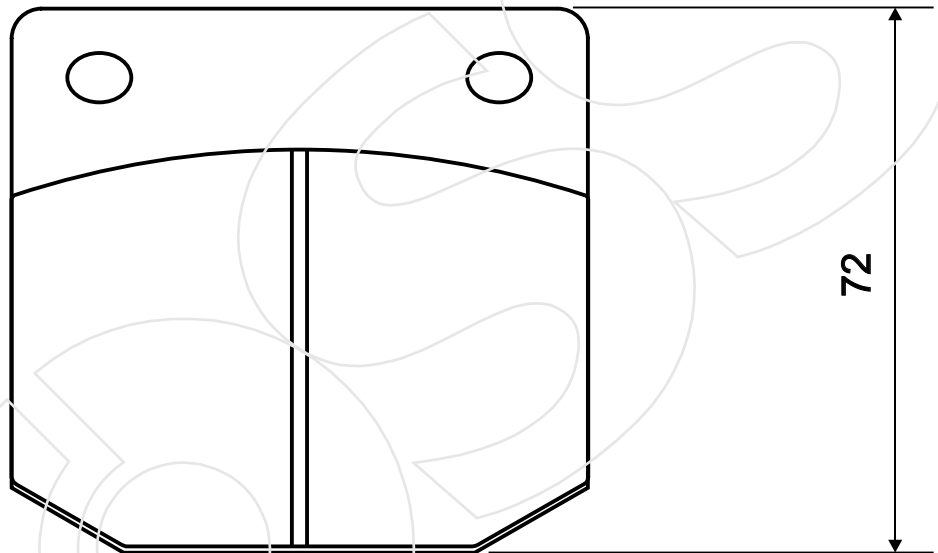
Reference in this Catalogue to other manufactures and to part numbers and other descriptions are for identification purposes only, because the above DISC BRAKE PADS are NOT ORIGINAL but with these interchangeable.

CODICE	IMPIANTO	ASSE	SCALA	APPLICAZIONI
R-5274	CRL	ANTERIORE / POSTERIORE	1:2	AVELING BARFORD
CODICE COMPONENTI	N°	L(mm)	SERIE	
*	*	*	1 PEZZO TIPO A	
*	*	*	1 PEZZO TIPO B	
*	*	*		
CODICE ACCESSORI	N°	L(mm)	NOTE	
*	*	*		
*	*	*		
*	*	*		
*	*	*		



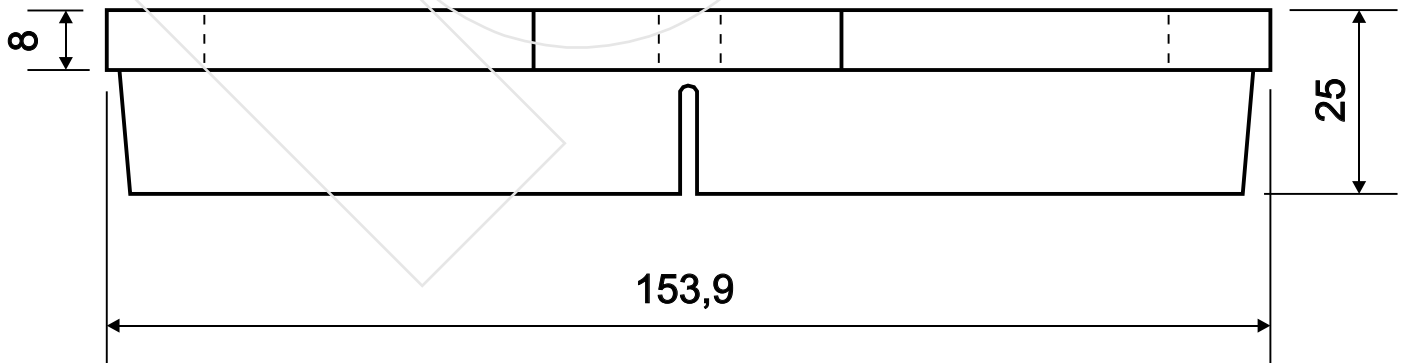
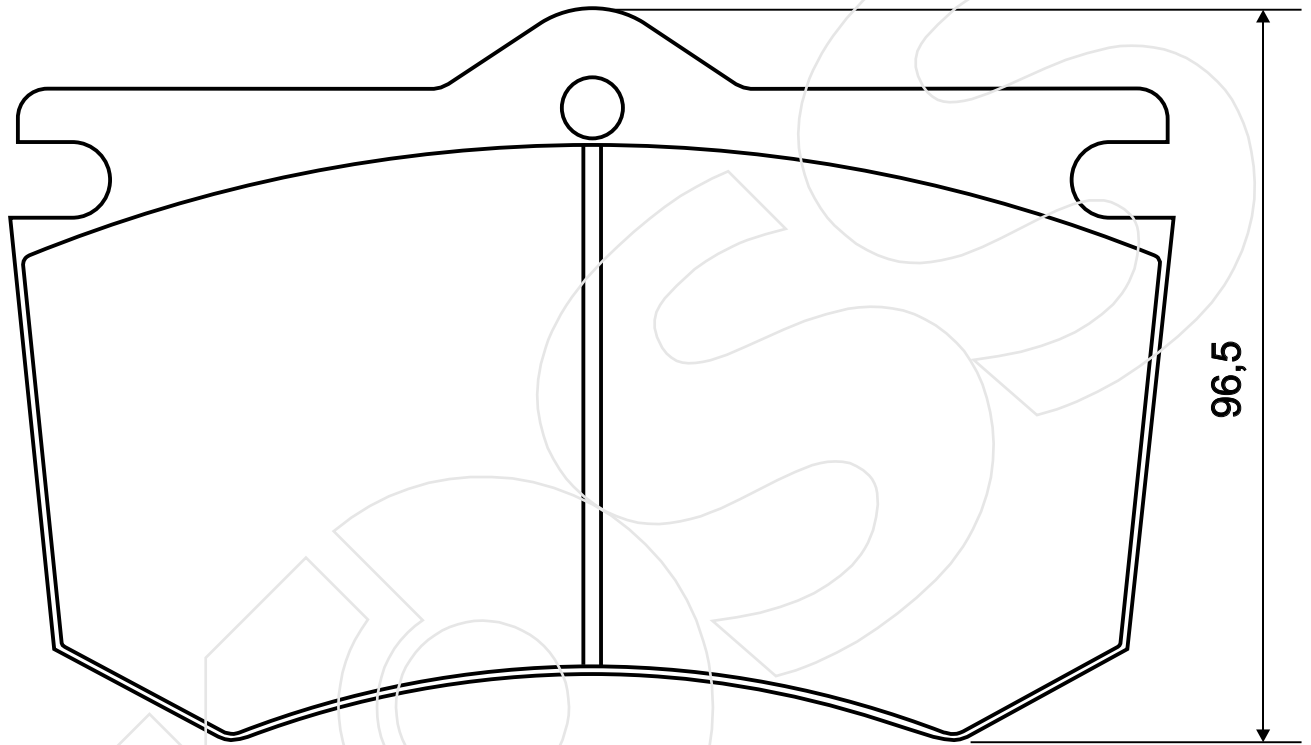
Reference in this Catalogue to other manufactures and to part numbers and other descriptions are for identification purposes only, because the above DISC BRAKE PADS are NOT ORIGINAL but with these interchangeable.

CODICE	IMPIANTO	ASSE	SCALA	APPLICAZIONI
R-5275	BREMB0		1:1	
CODICE COMPONENTI	N°	L(mm)	SERIE	
*	*	*	4 PEZZI	
*	*			
*	*			
CODICE ACCESSORI	N°	L(mm)	NOTE	
*	*		*	
*	*		*	
*	*		*	
*	*		*	



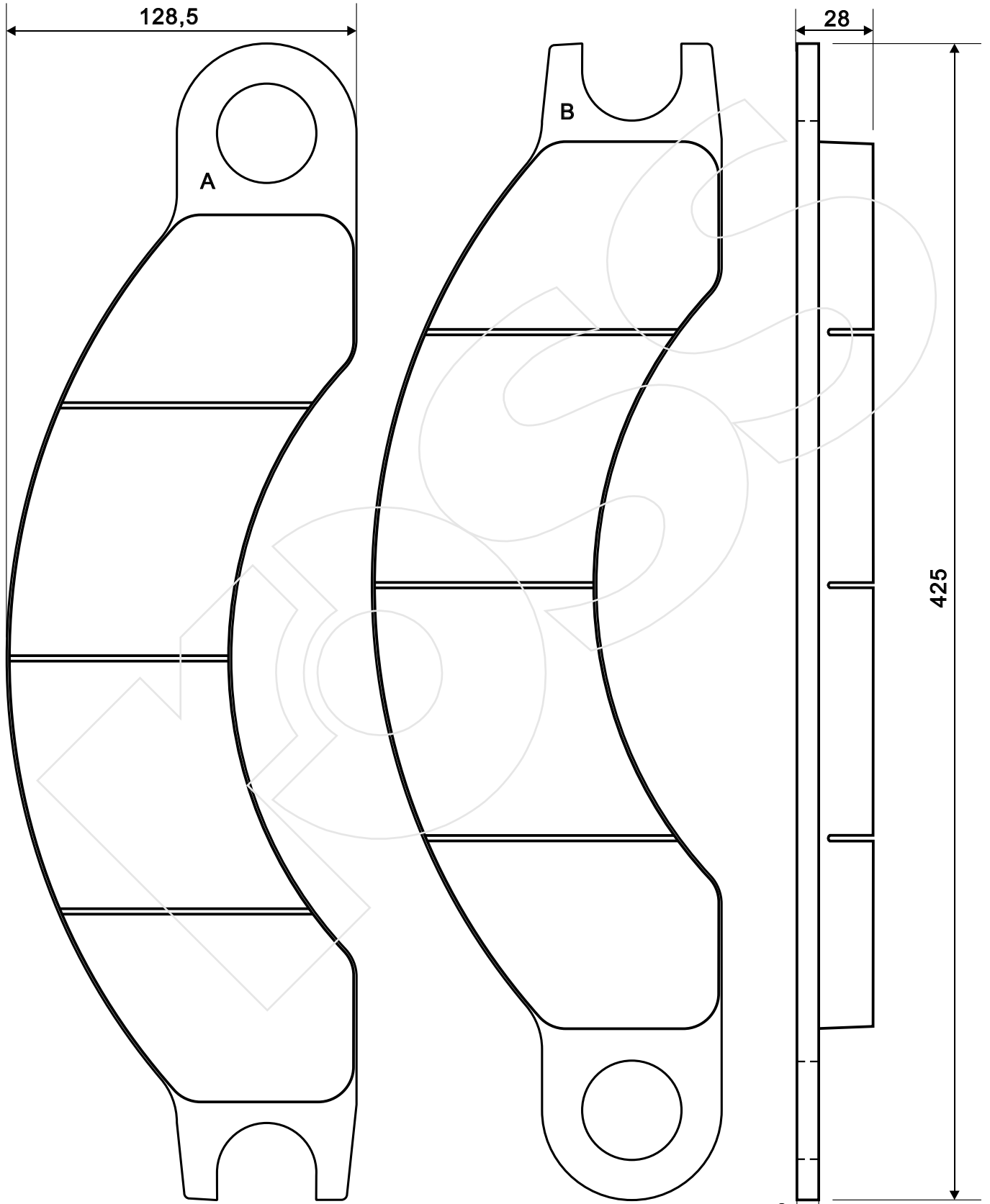
Reference in this Catalogue to other manufactures and to part numbers and other descriptions are for identification purposes only, because the above DISC BRAKE PADS are NOT ORIGINAL but with these interchangeable.

CODICE	IMPIANTO		ASSE	SCALA	APPLICAZIONI
R-5276	PERROT		ANTERIORE	1:1	VEICOLO SPECIALE
CODICE COMPONENTI	N°	L(mm)	SERIE		
*	*	*	4 PEZZI		
*	*				
*	*				
CODICE ACCESSORI	N°	L(mm)	NOTE		
*	*				
*	*				
*	*				
*	*				



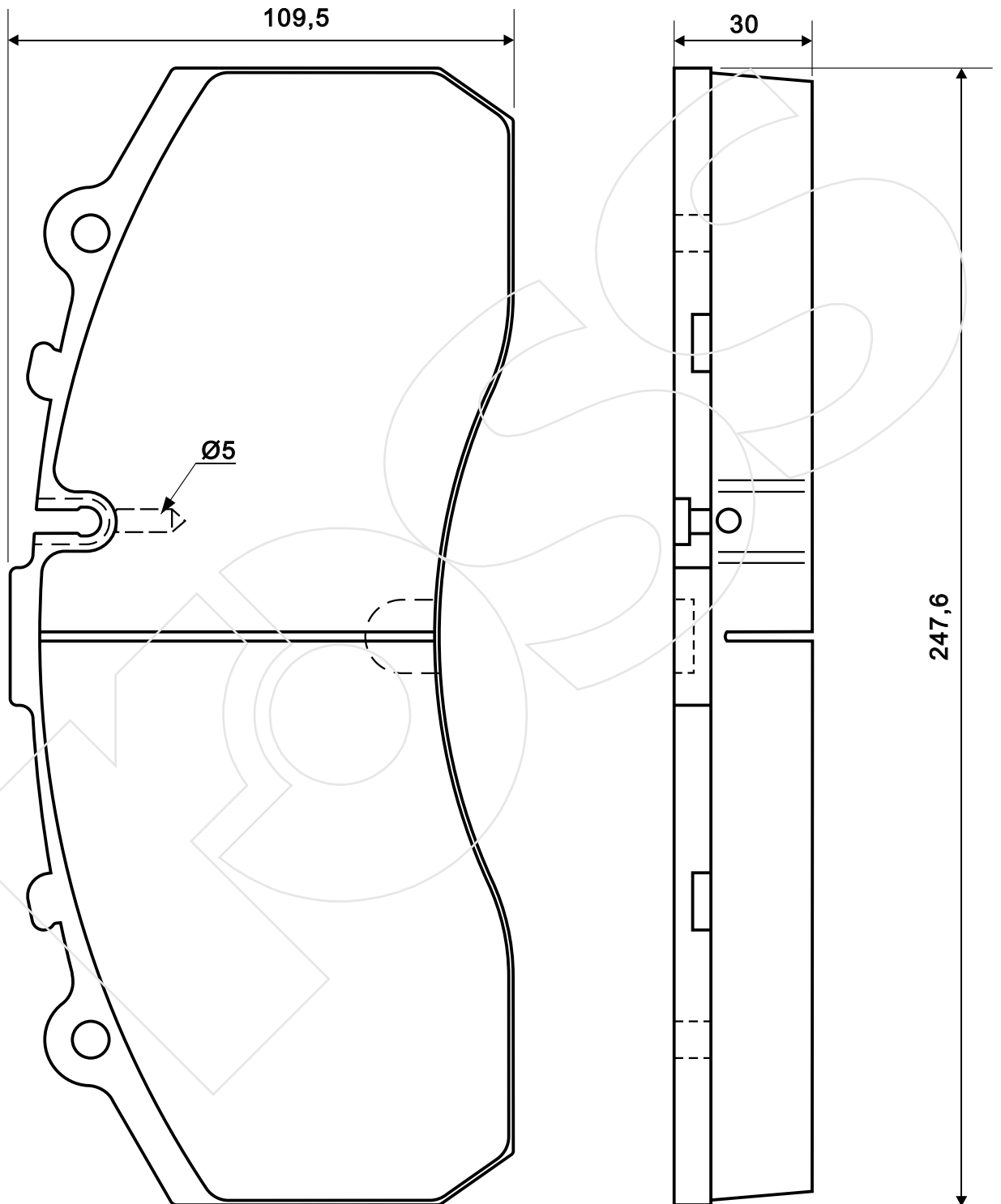
Reference in this Catalogue to other manufactures and to part numbers and other descriptions are for identification purposes only, because the above DISC BRAKE PADS are NOT ORIGINAL but with these interchangeable.

CODICE	IMPIANTO		ASSE	SCALA	APPLICAZIONI
R-5277	CRL		ANTERIORE	1:2	CATERPILLAR O & K VALMET
CODICE COMPONENTI	N°	L(mm)	SERIE		
*	*	*	1 PEZZO TIPO A		
*	*	*	1 PEZZO TIPO B		
*	*	*			
CODICE ACCESSORI	N°	L(mm)	NOTE		
*	*	*			
*	*	*			
*	*	*			
*	*	*			



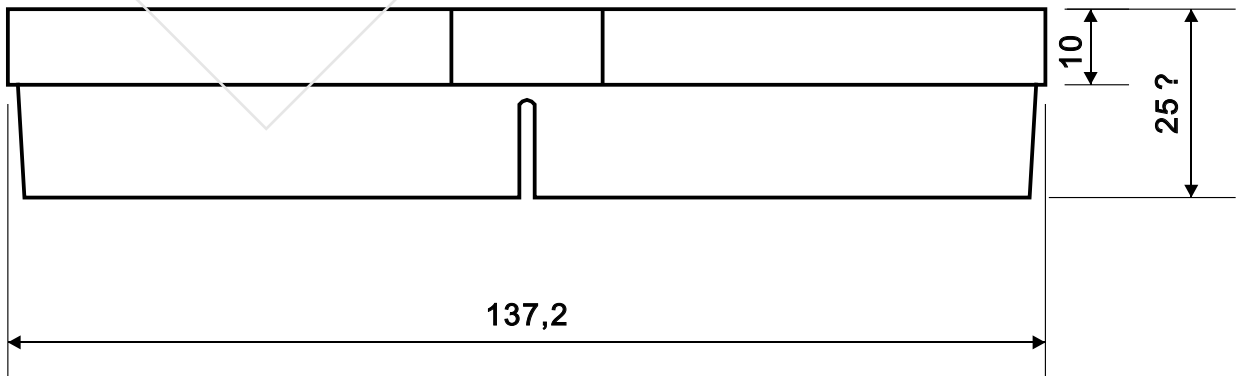
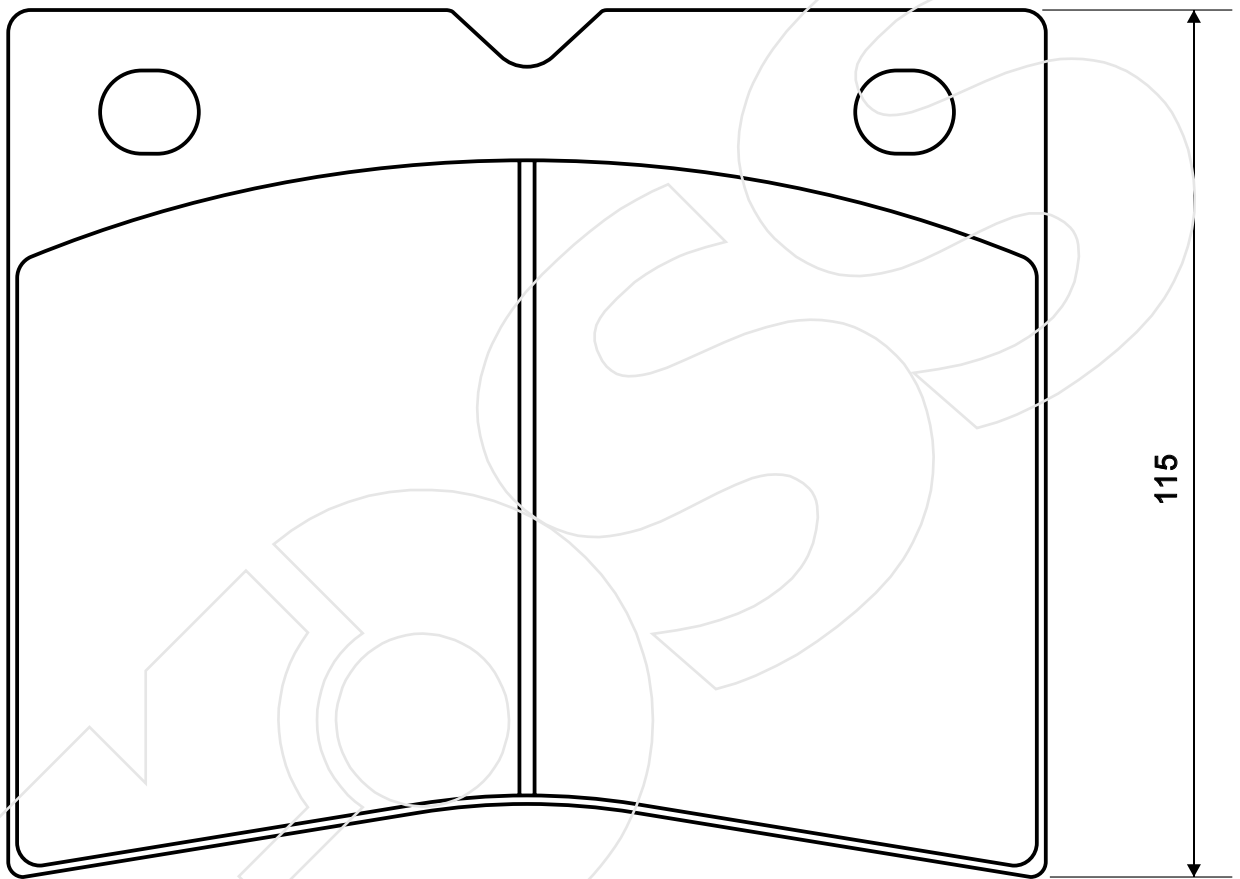
Reference in this Catalogue to other manufactures and to part numbers and other descriptions are for identification purposes only, because the above DISC BRAKE PADS are NOT ORIGINAL but with these interchangeable.

CODICE	IMPIANTO		ASSE	SCALA	APPLICAZIONI
R-5278	KNORR		ANTERIORE	3/4	MERCEDES SCANIA
CODICE COMPONENTI	N°	L(mm)	SERIE		
*	*	*	4 PEZZI		
*	*				
*	*				
CODICE ACCESSORI	N°	L(mm)	NOTE		
*	*				
*	*				
*	*				
*	*				



Reference in this Catalogue to other manufactures and to part numbers and other descriptions are for identification purposes only, because the above DISC BRAKE PADS are NOT ORIGINAL but with these interchangeable.

CODICE	IMPIANTO	ASSE	SCALA	APPLICAZIONI
R-5279	BREMBO	ANTERIORE / POSTERIORE	1:1	RIMORCHIO
CODICE COMPONENTI	N°	L(mm)	SERIE	
*	*	*	4 PEZZI	
*	*			
*	*			
CODICE ACCESSORI	N°	L(mm)	NOTE	
*	*			
*	*			
*	*			

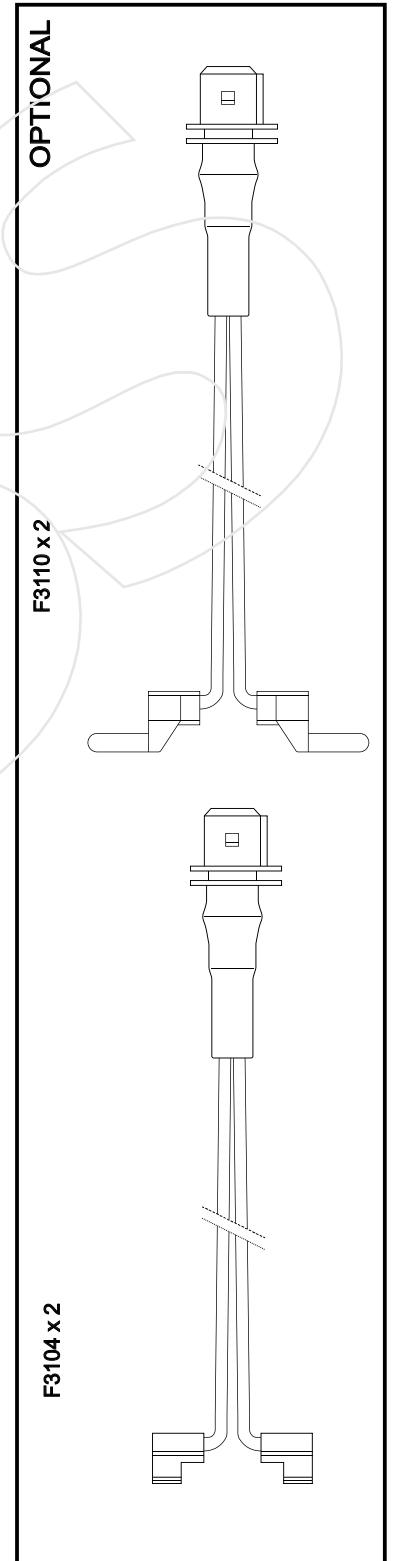
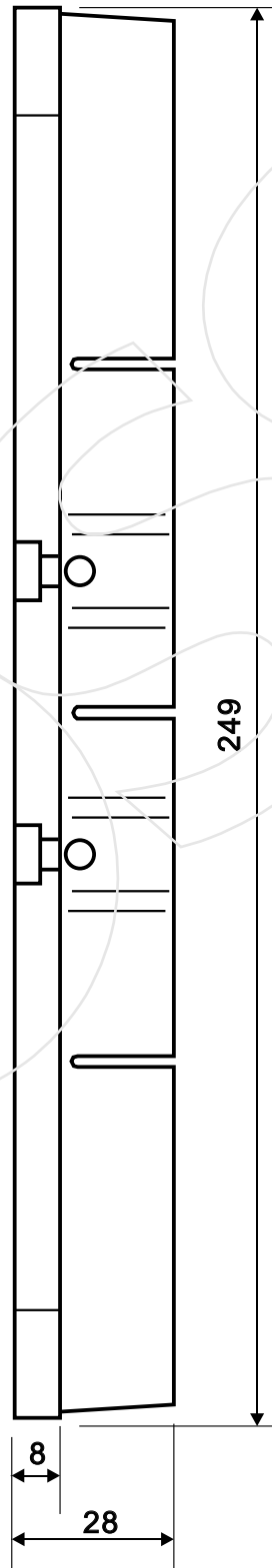
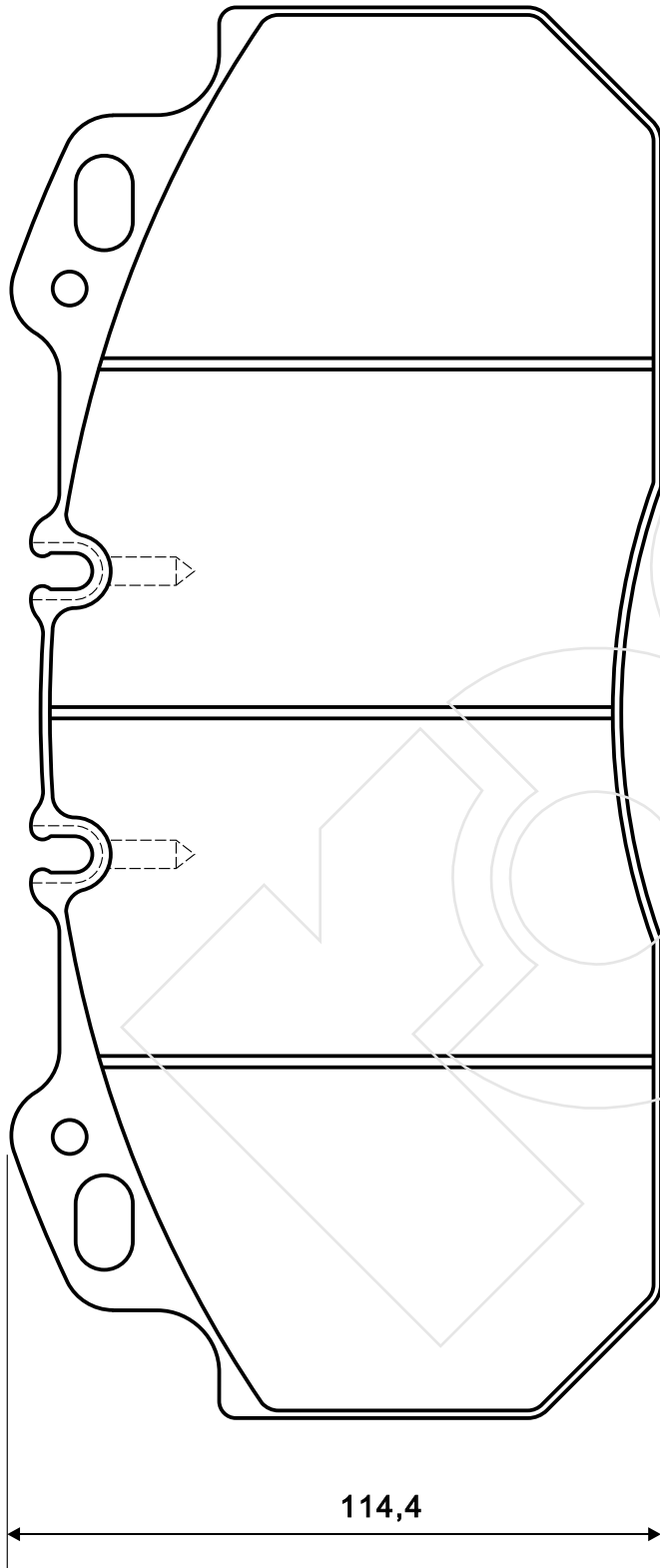


Reference in this Catalogue to other manufactures and to part numbers and other descriptions are for identification purposes only, because the above DISC BRAKE PADS are NOT ORIGINAL but with these interchangeable.

CODICE	IMPIANTO		ASSE	SCALA	APPLICAZIONI
R-5280	LUCAS		ANTERIORE	3:4	RENAULT:
CODICE COMPONENTI	N°	L(mm)	SERIE		
*	*	*	4 PEZZI		
*	*	*			
*	*	*			
OPTIONAL	N°	L(mm)	NOTE		
F3104	2	360			
F3110	2	360			
*	*	*			
*	*	*			

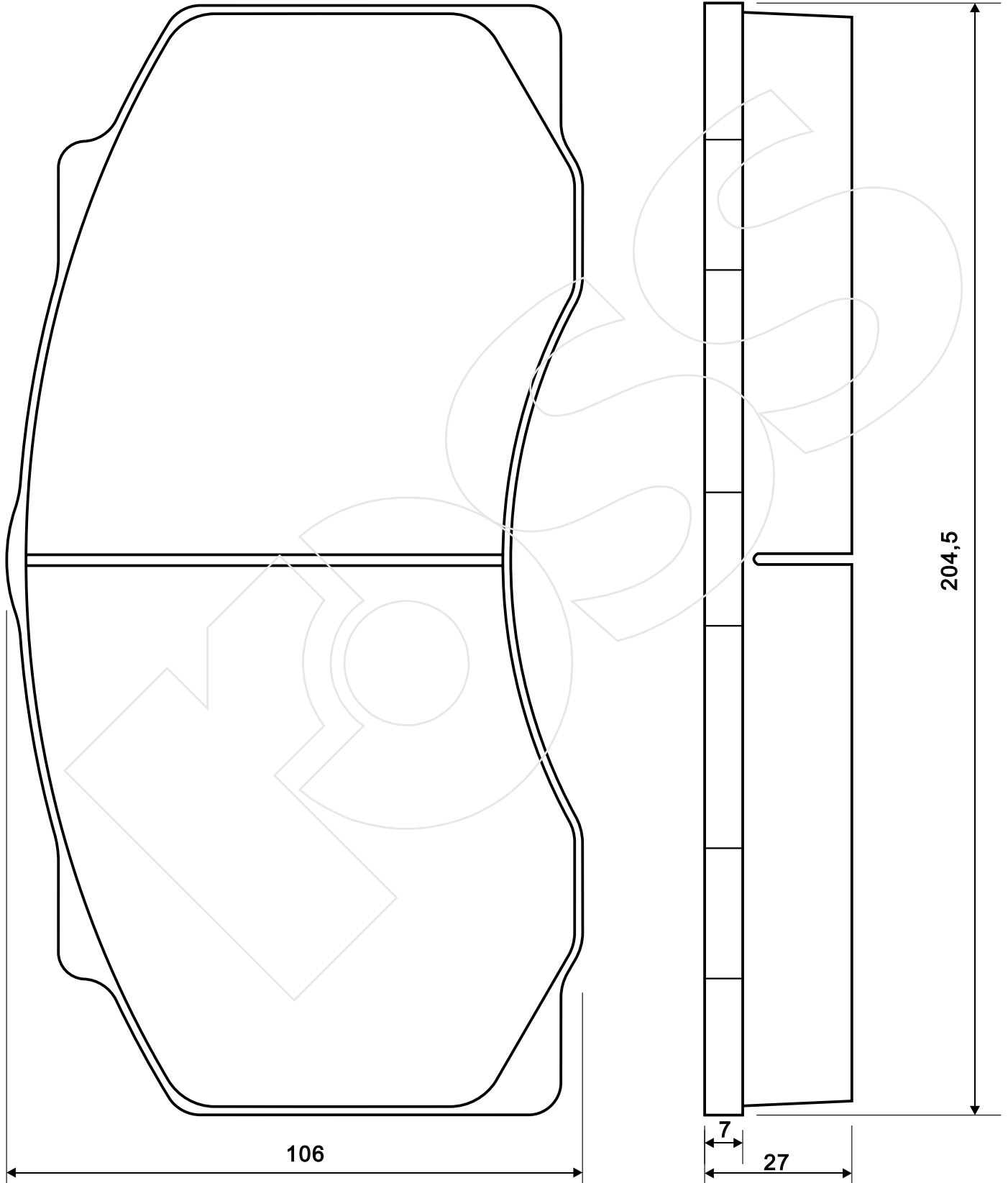
RENAULT:

VOLVO:



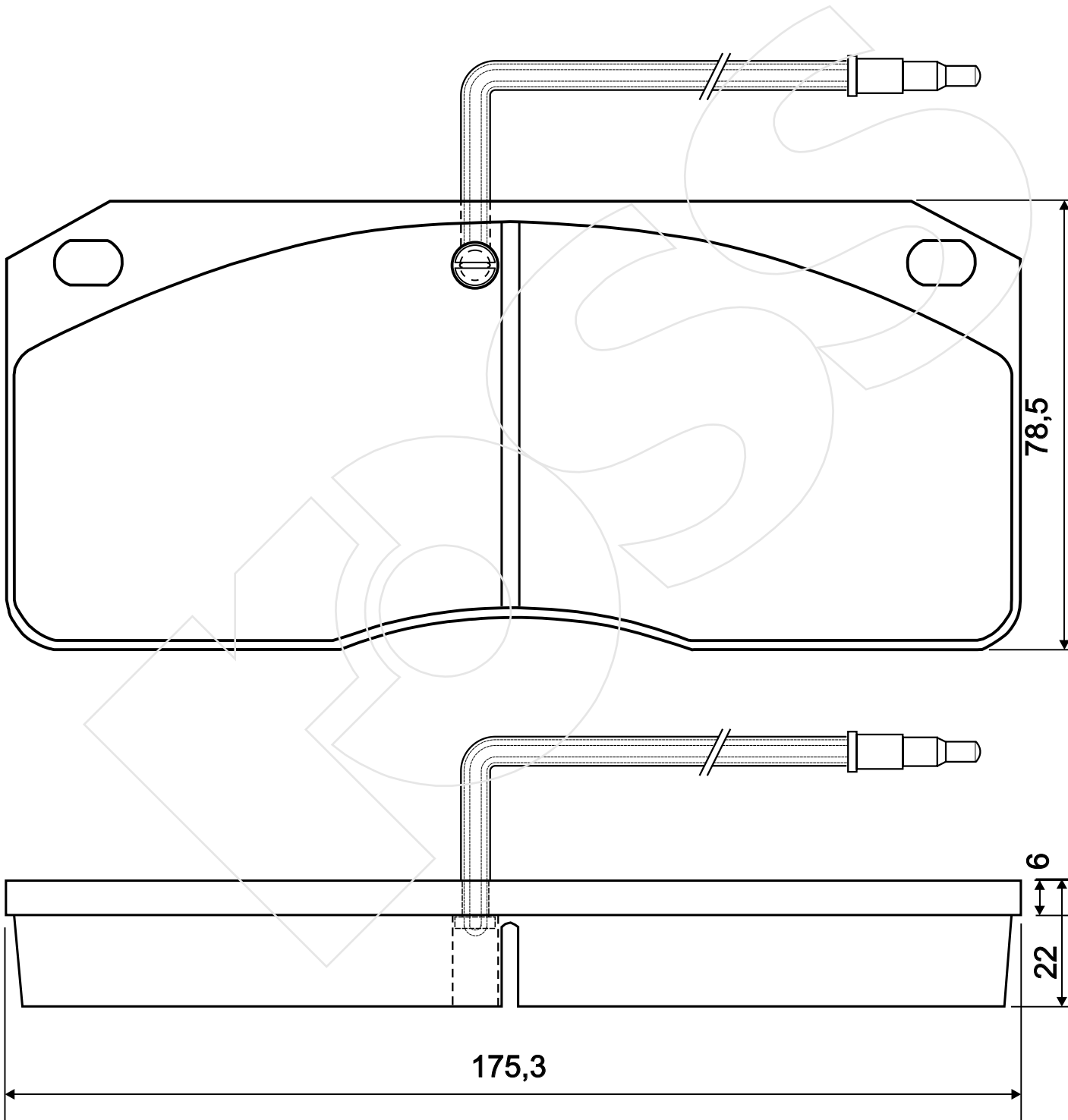
Reference in this Catalogue to other manufactures and to part numbers and other descriptions are for identification purposes only, because the above DISC BRAKE PADS are NOT ORIGINAL but with these interchangeable.

CODICE	IMPIANTO		ASSE	SCALA	APPLICAZIONI
R-5281	PERROT		ANTERIORE	1:1	DAF
CODICE COMPONENTI	N°	L(mm)	SERIE		
*	*	*	4 PEZZI		
*	*				
*	*				
CODICE ACCESSORI	N°	L(mm)	NOTE		
*	*				
*	*				
*	*				



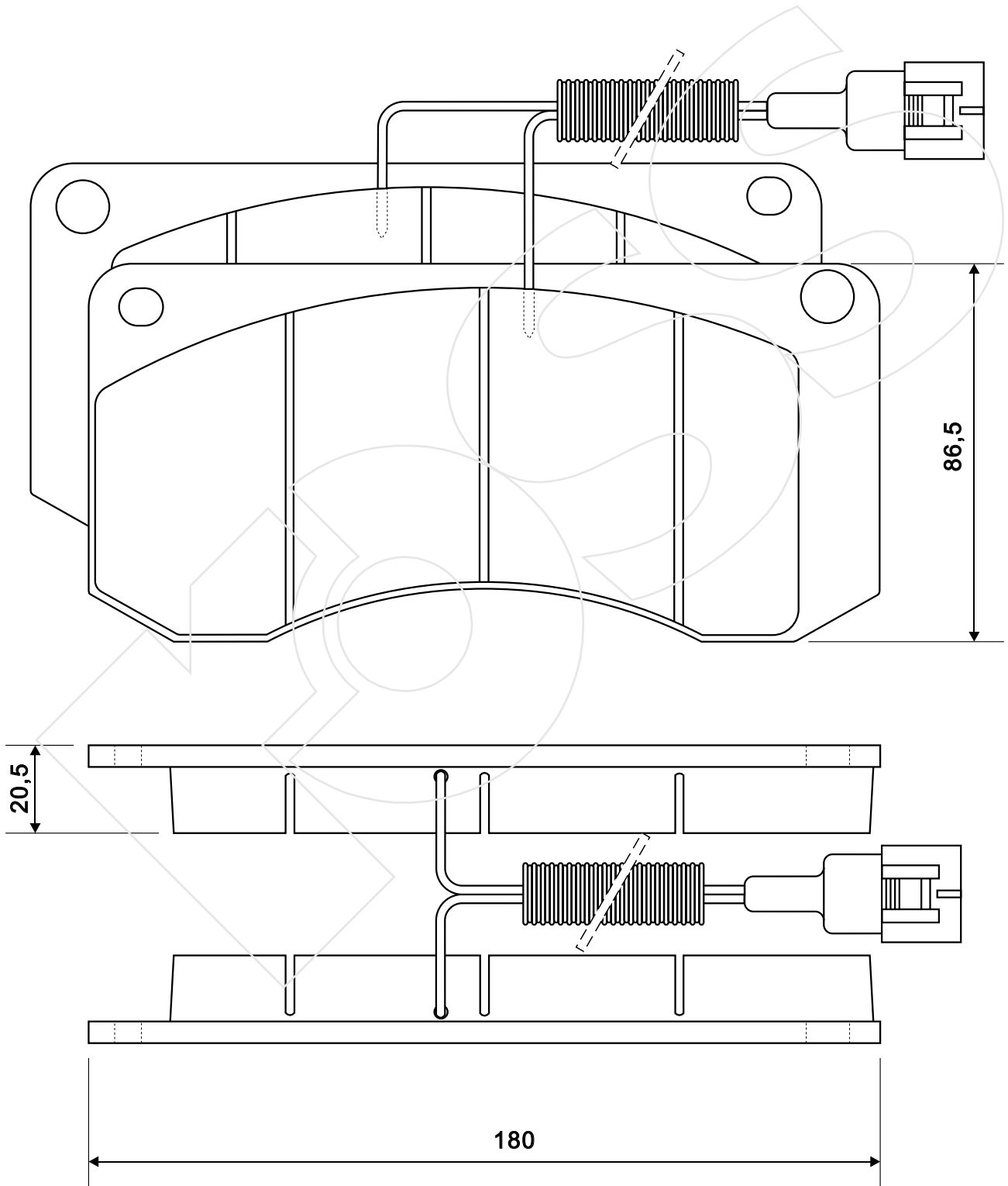
Reference in this Catalogue to other manufactures and to part numbers and other descriptions are for identification purposes only, because the above DISC BRAKE PADS are NOT ORIGINAL but with these interchangeable.

CODICE	IMPIANTO		ASSE	SCALA	APPLICAZIONI
R-5282	GIRLING		ANTERIORE/POSTERIORE	1:1	VOLVO
CODICE COMPONENTI	N°	L(mm)	SERIE		
F3108	2	230	2 PEZZI CON CAVO SEGNALATORE		
*	*		2 PEZZI SENZA CAVO SEGNALATORE		
*	*		*		
CODICE ACCESSORI	N°	L(mm)	NOTE		
*	*		*		
*	*		*		
*	*		*		
*	*		*		



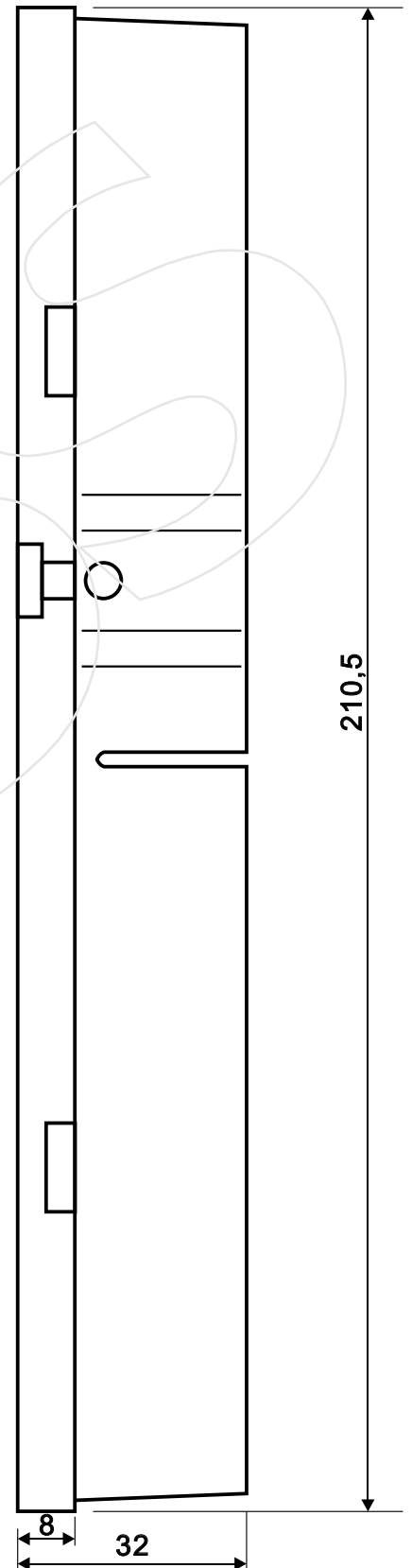
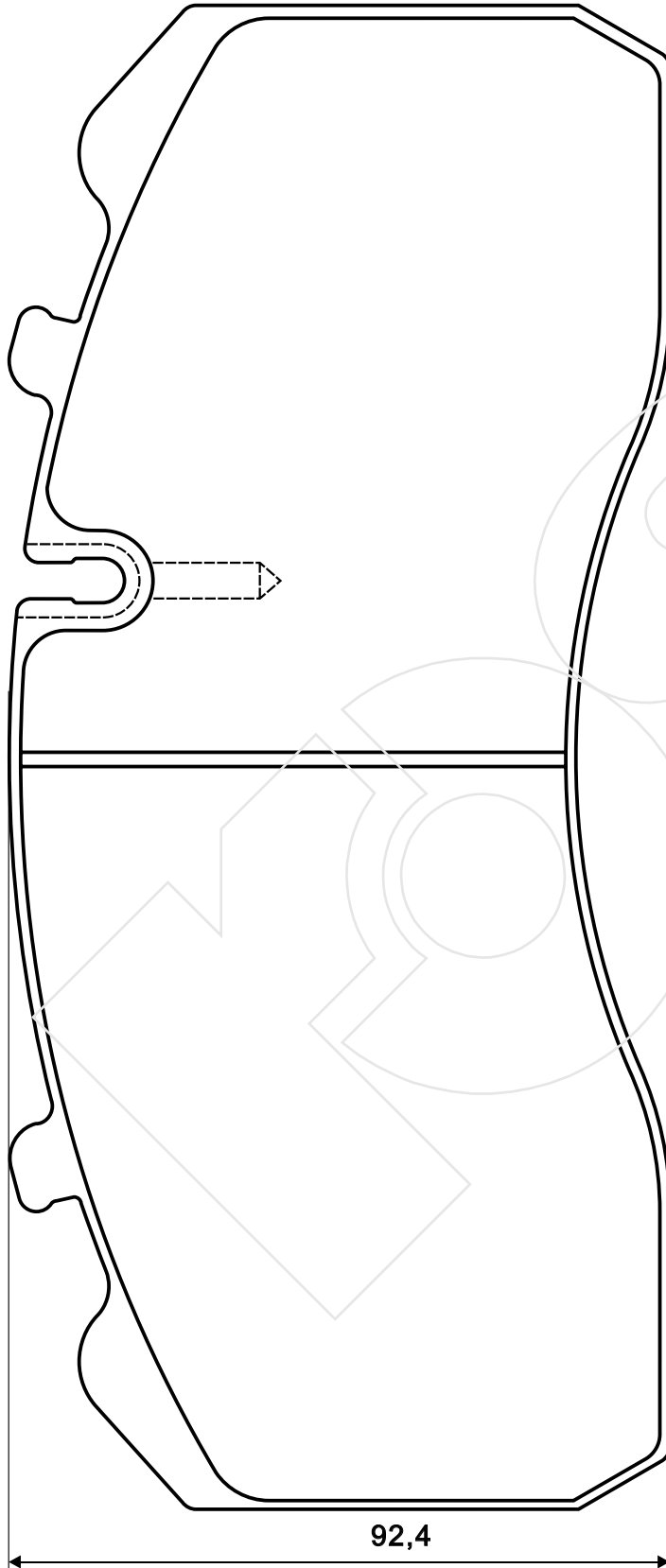
Reference in this Catalogue to other manufactures and to part numbers and other descriptions are for identification purposes only, because the above DISC BRAKE PADS are NOT ORIGINAL but with these interchangeable.

CODICE	IMPIANTO	ASSE	SCALA	APPLICAZIONI
R-5283	GIRLING	ANTERIORE	1:1,5	RENAULT
CODICE COMPONENTI	N°	L(mm)	SERIE	
F3109	2	955	4 PEZZI	
*	*			
*	*			
CODICE ACCESSORI	N°	L(mm)	NOTE	
*	*			
*	*			
*	*			
*	*			



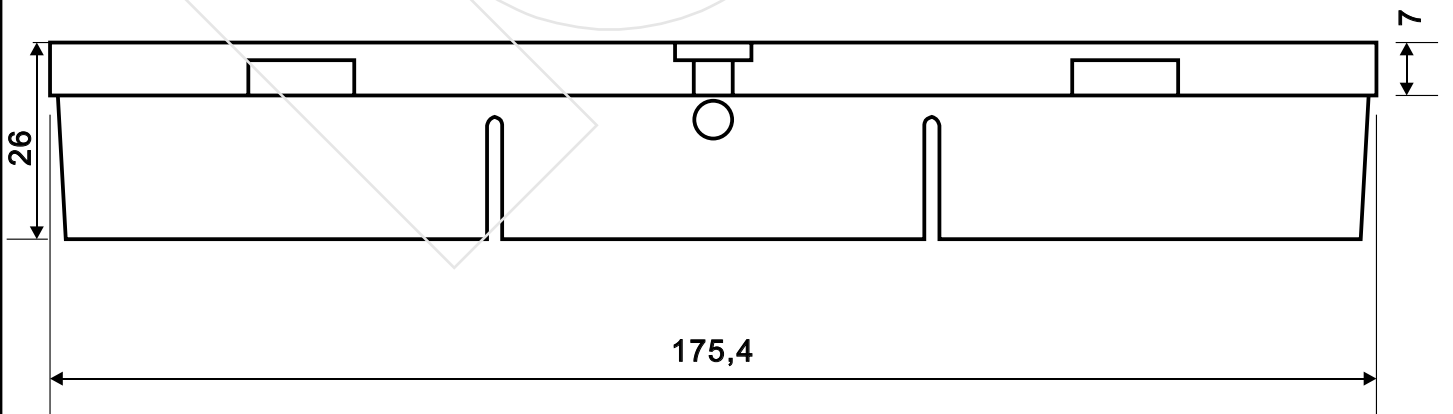
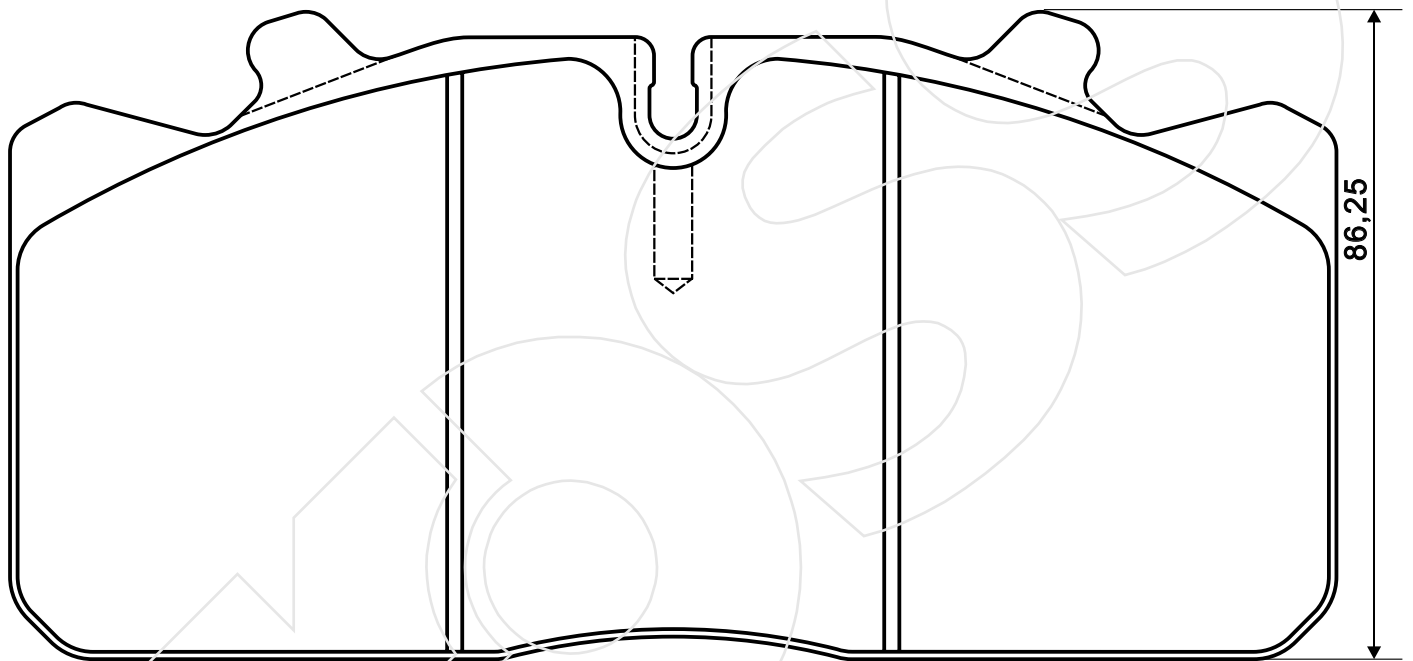
Reference in this Catalogue to other manufactures and to part numbers and other descriptions are for identification purposes only, because the above DISC BRAKE PADS are NOT ORIGINAL but with these interchangeable.

CODICE	IMPIANTO		ASSE	SCALA	APPLICAZIONI
R-5284	KNORR		ANTERIORE	1:1	MAN
CODICE COMPONENTI	N°	L(mm)	SERIE		
*	*	*	4 PEZZI		
*	*				
*	*				
CODICE ACCESSORI	N°	L(mm)	NOTE		
*	*				
*	*				
*	*				



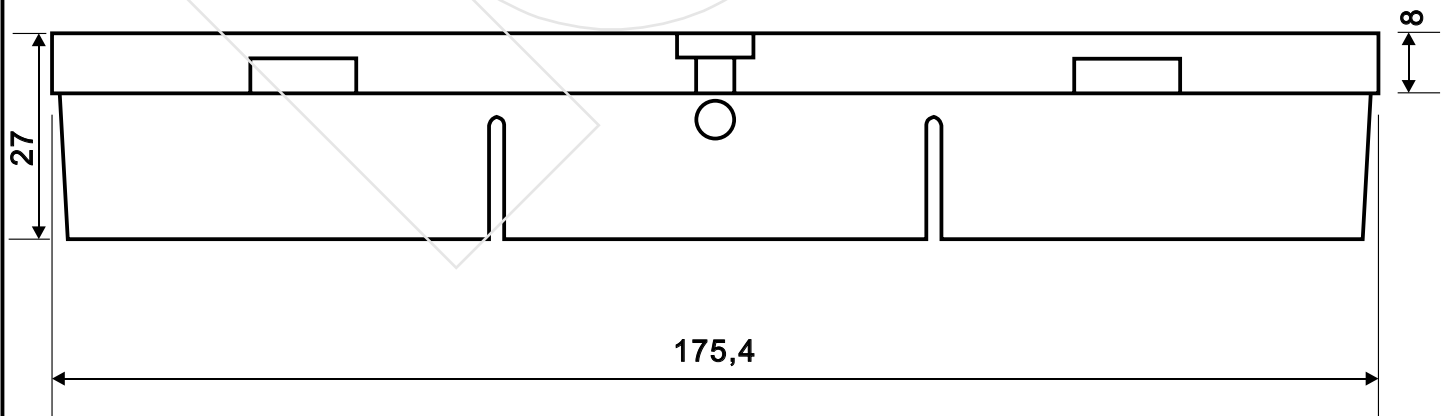
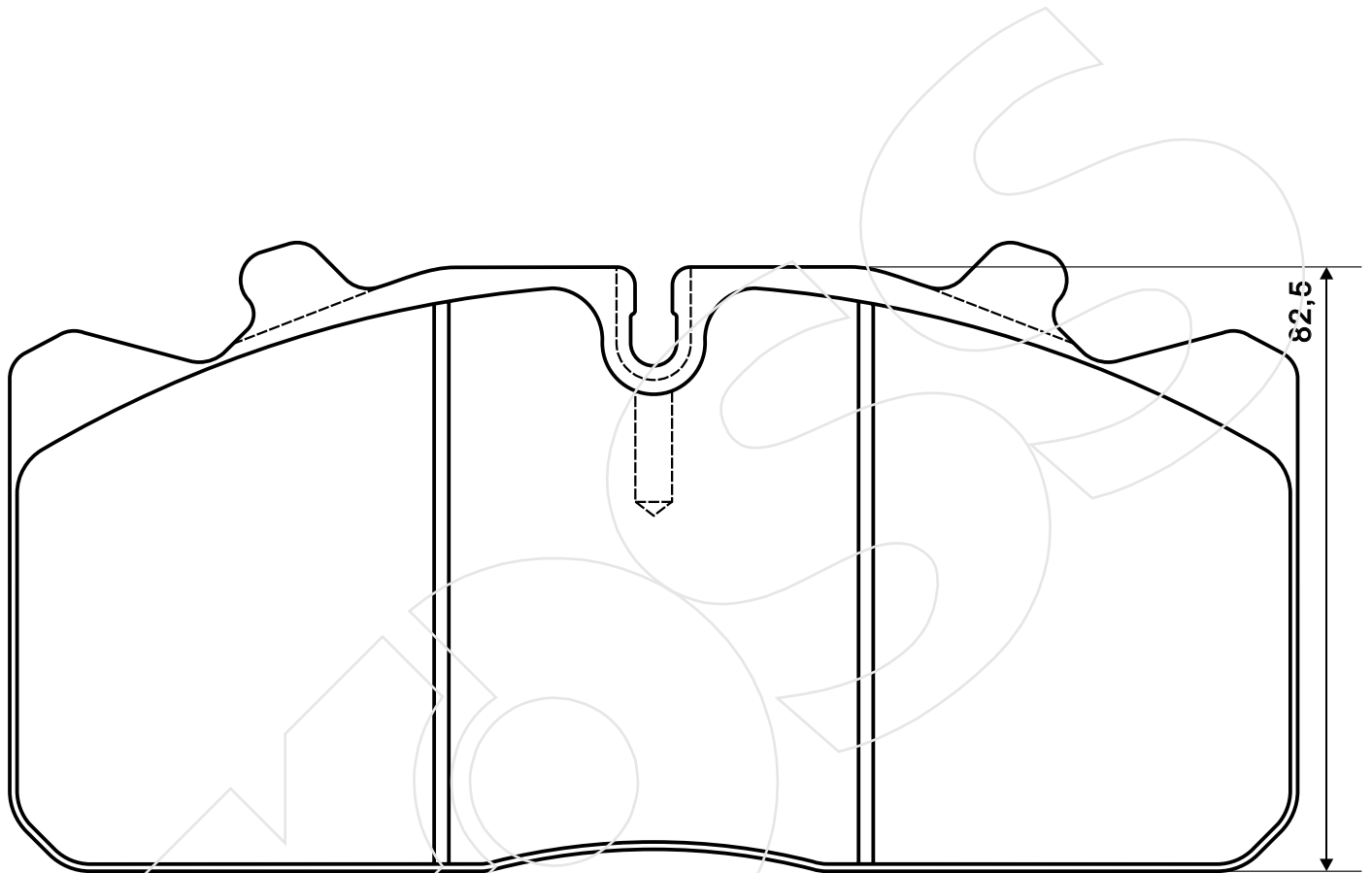
Reference in this Catalogue to other manufactures and to part numbers and other descriptions are for identification purposes only, because the above DISC BRAKE PADS are NOT ORIGINAL but with these interchangeable.

CODICE	IMPIANTO	ASSE	SCALA	APPLICAZIONI
R-5285	PERROT	ANTERIORE	1:1	MAN
CODICE COMPONENTI	N°	L(mm)	SERIE	
*	*	*	4 PEZZI	
*	*			
*	*			
CODICE ACCESSORI	N°	L(mm)	NOTE	
*	*			
*	*			
*	*			
*	*			



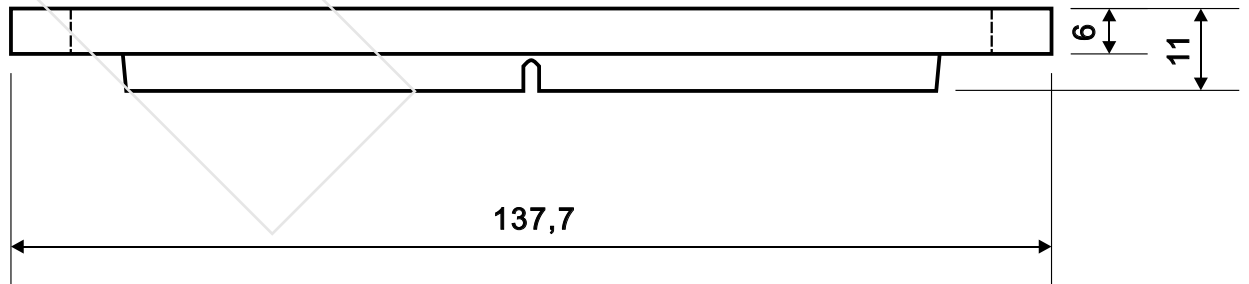
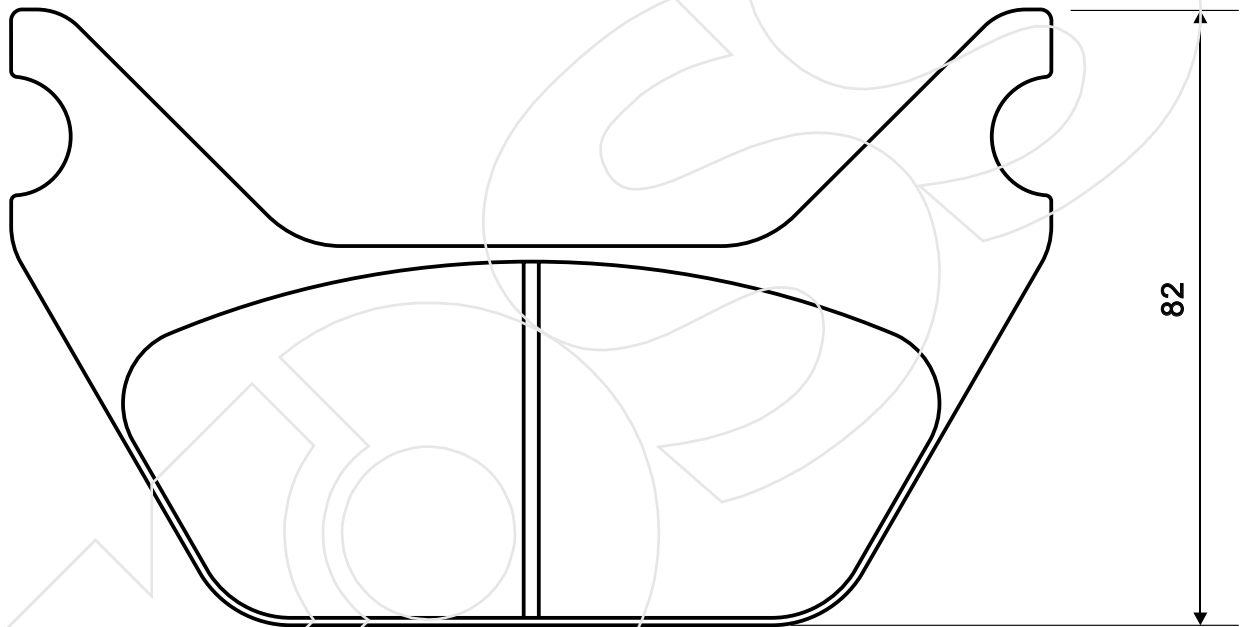
Reference in this Catalogue to other manufactures and to part numbers and other descriptions are for identification purposes only, because the above DISC BRAKE PADS are NOT ORIGINAL but with these interchangeable.

CODICE	IMPIANTO		ASSE	SCALA	APPLICAZIONI
R-5286	PERROT		ANTERIORE	1:1	MAN
CODICE COMPONENTI	N°	L(mm)	SERIE		
*	*	*	4 PEZZI		
*	*				
*	*				
CODICE ACCESSORI	N°	L(mm)	NOTE		
*	*				
*	*				
*	*				



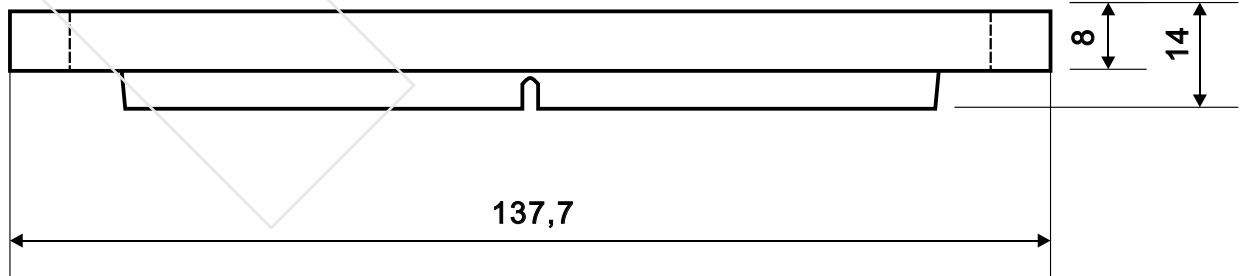
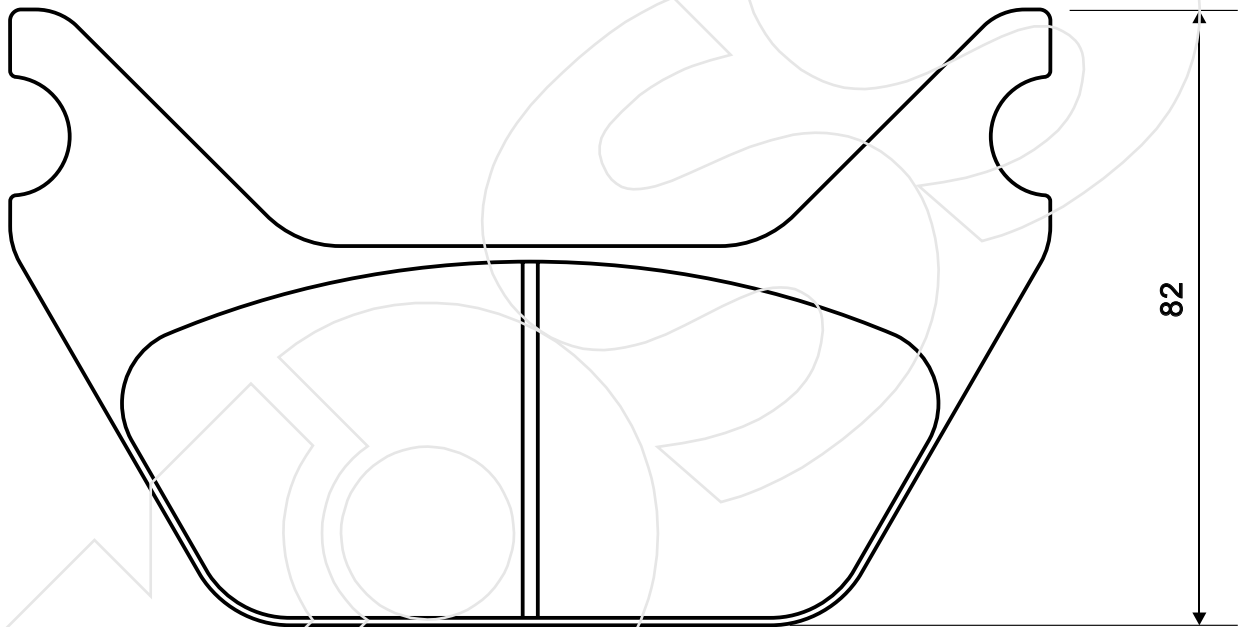
Reference in this Catalogue to other manufactures and to part numbers and other descriptions are for identification purposes only, because the above DISC BRAKE PADS are NOT ORIGINAL but with these interchangeable.

CODICE	IMPIANTO	ASSE	SCALA	APPLICAZIONI
R-5287	PERROT	*	1:1	*
CODICE COMPONENTI	N°	L(mm)	SERIE	
*	*	*	4 PEZZI	
*	*			
*	*			
CODICE ACCESSORI	N°	L(mm)	NOTE	
*	*			
*	*			
*	*			
*	*			



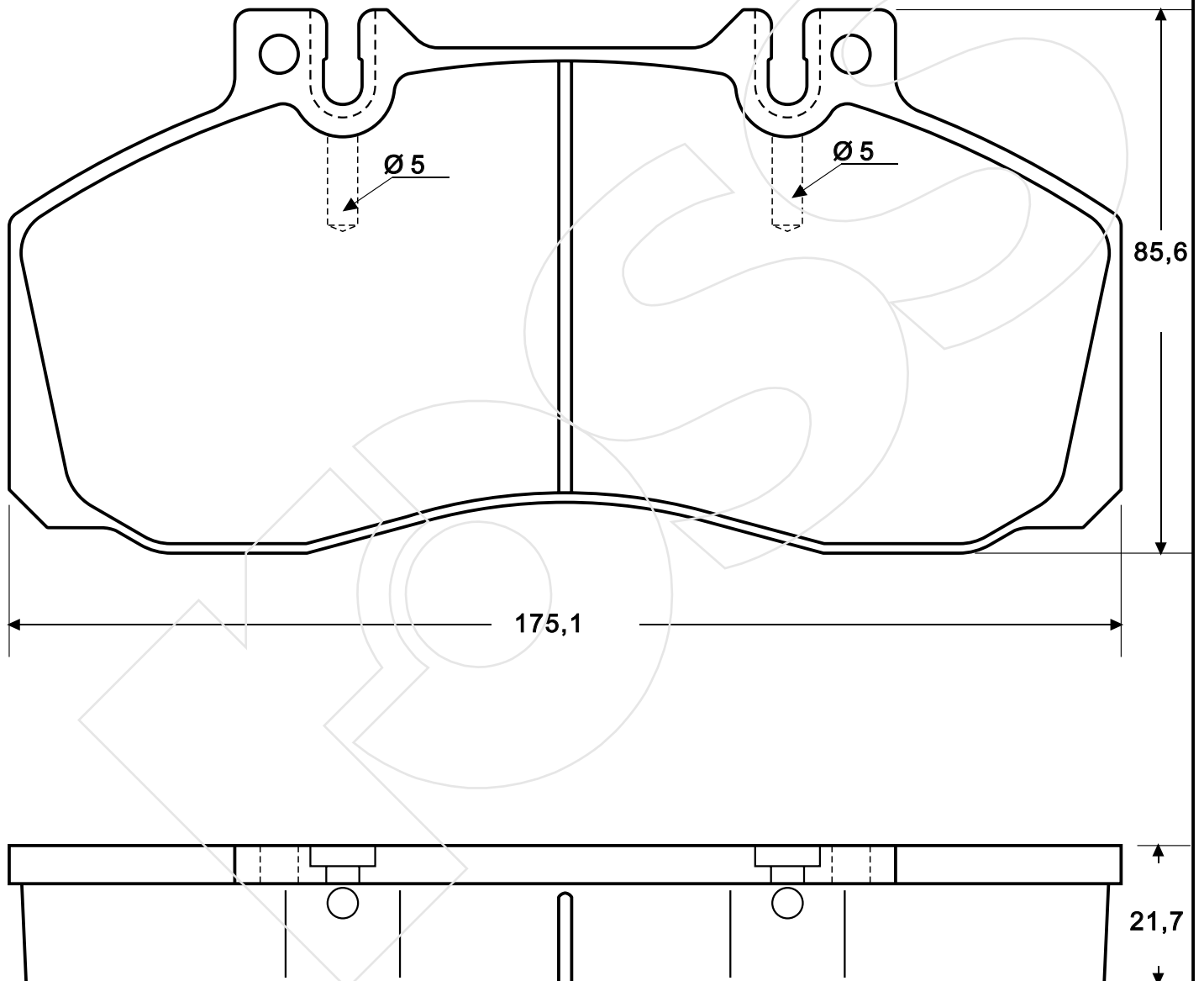
Reference in this Catalogue to other manufactures and to part numbers and other descriptions are for identification purposes only, because the above DISC BRAKE PADS are NOT ORIGINAL but with these interchangeable.

CODICE	IMPIANTO	ASSE	SCALA	APPLICAZIONI
R-5288	PERROT	*	1:1	*
CODICE COMPONENTI	N°	L(mm)	SERIE	
*	*	*	4 PEZZI	
*	*			
*	*			
CODICE ACCESSORI	N°	L(mm)	NOTE	
*	*			
*	*			
*	*			
*	*			



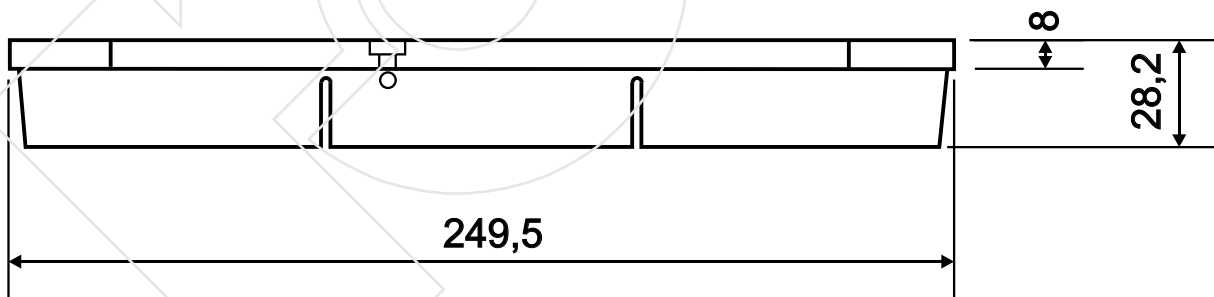
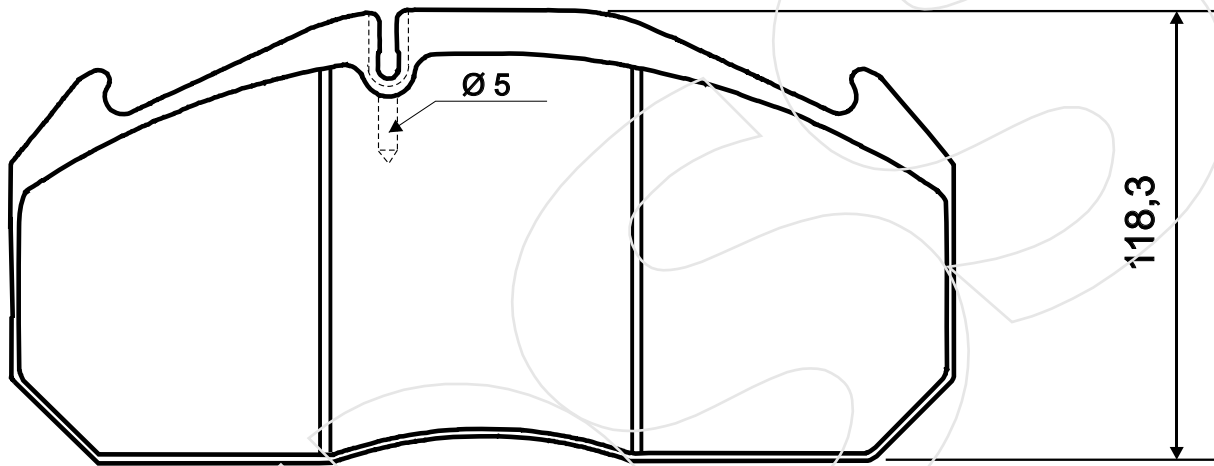
Reference in this Catalogue to other manufactures and to part numbers and other descriptions are for identification purposes only, because the above DISC BRAKE PADS are NOT ORIGINAL but with these interchangeable.

CODICE	IMPIANTO		ASSE	SCALA	APPLICAZIONI
R-5289	GIRLING		ANTERIORE	1:1	IVECO RENAULT
CODICE COMPONENTI	N°	L(mm)	SERIE		
*	*	*	4 PEZZI CON FORI Ø5		
*	*				
*	*				
CODICE ACCESSORI	N°	L(mm)	NOTE		
*	*				
*	*				
*	*				
*	*				



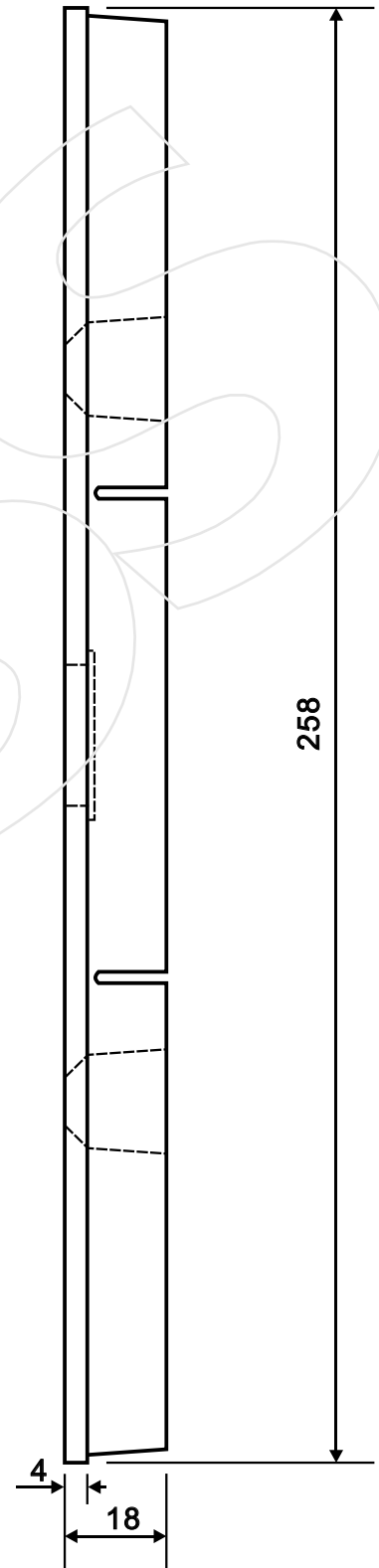
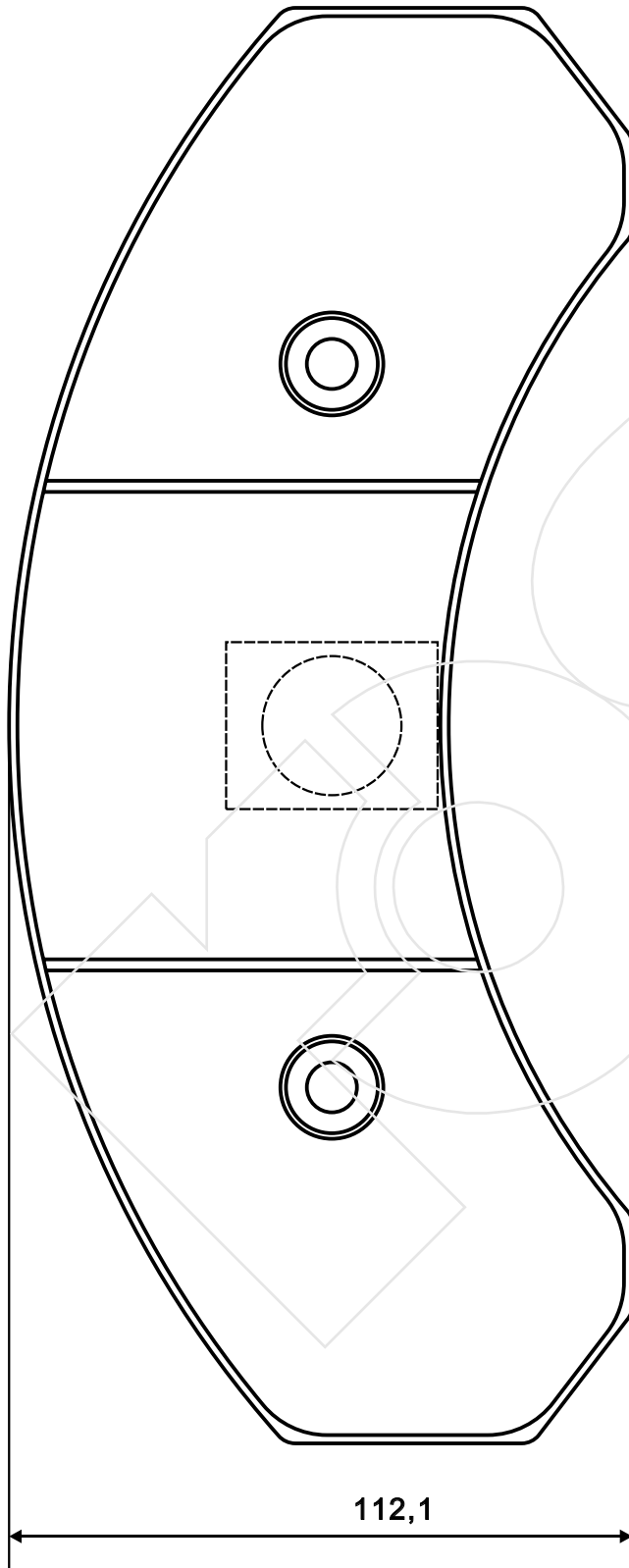
Reference in this Catalogue to other manufactures and to part numbers and other descriptions are for identification purposes only, because the above DISC BRAKE PADS are NOT ORIGINAL but with these interchangeable.

CODICE	IMPIANTO	ASSE	SCALA	APPLICAZIONI
R-5290	LUCAS	ANTERIORE	1:2	RENAULT
CODICE COMPONENTI	N°	L(mm)	SERIE	
*	*	*	4 PEZZI	
*	*			
*	*			
CODICE ACCESSORI	N°	L(mm)	NOTE	
*	*			
*	*			
*	*			
*	*			



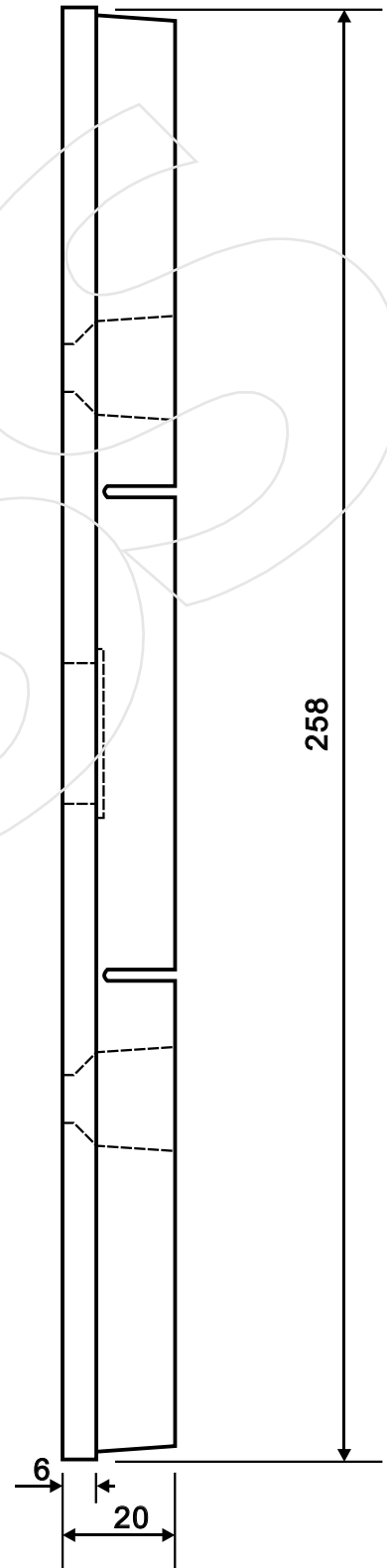
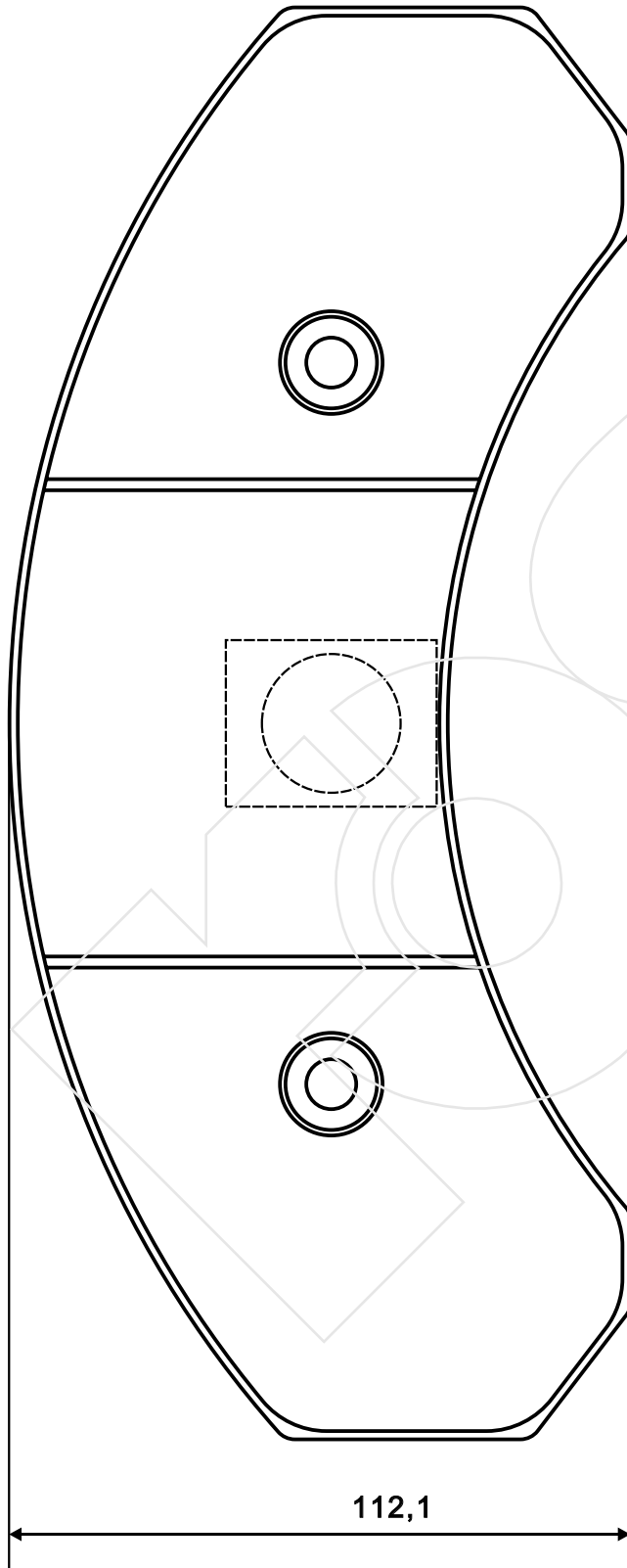
Reference in this Catalogue to other manufactures and to part numbers and other descriptions are for identification purposes only, because the above DISC BRAKE PADS are NOT ORIGINAL but with these interchangeable.

CODICE	IMPIANTO	ASSE	SCALA	APPLICAZIONI
R-5291	KNORR	ANTERIORE	75%	KÄSSBOHRER
CODICE COMPONENTI	N°	L(mm)	SERIE	
*	*	*	4 PEZZI	
*	*			
*	*			
CODICE ACCESSORI	N°	L(mm)	NOTE	
*	*			
*	*			
*	*			
*	*			



Reference in this Catalogue to other manufactures and to part numbers and other descriptions are for identification purposes only, because the above DISC BRAKE PADS are NOT ORIGINAL but with these interchangeable.

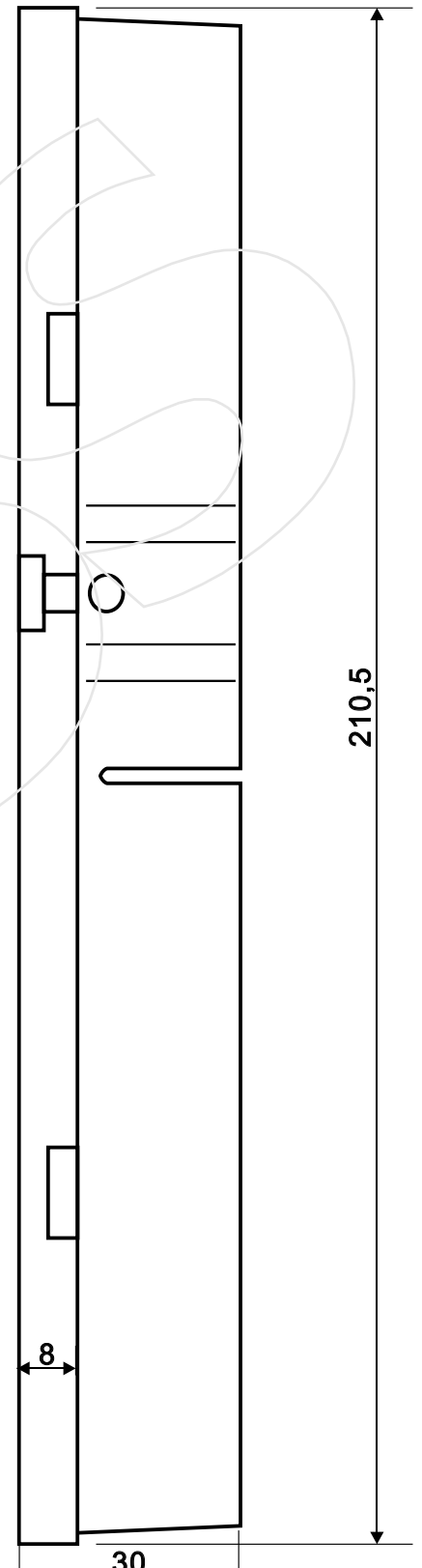
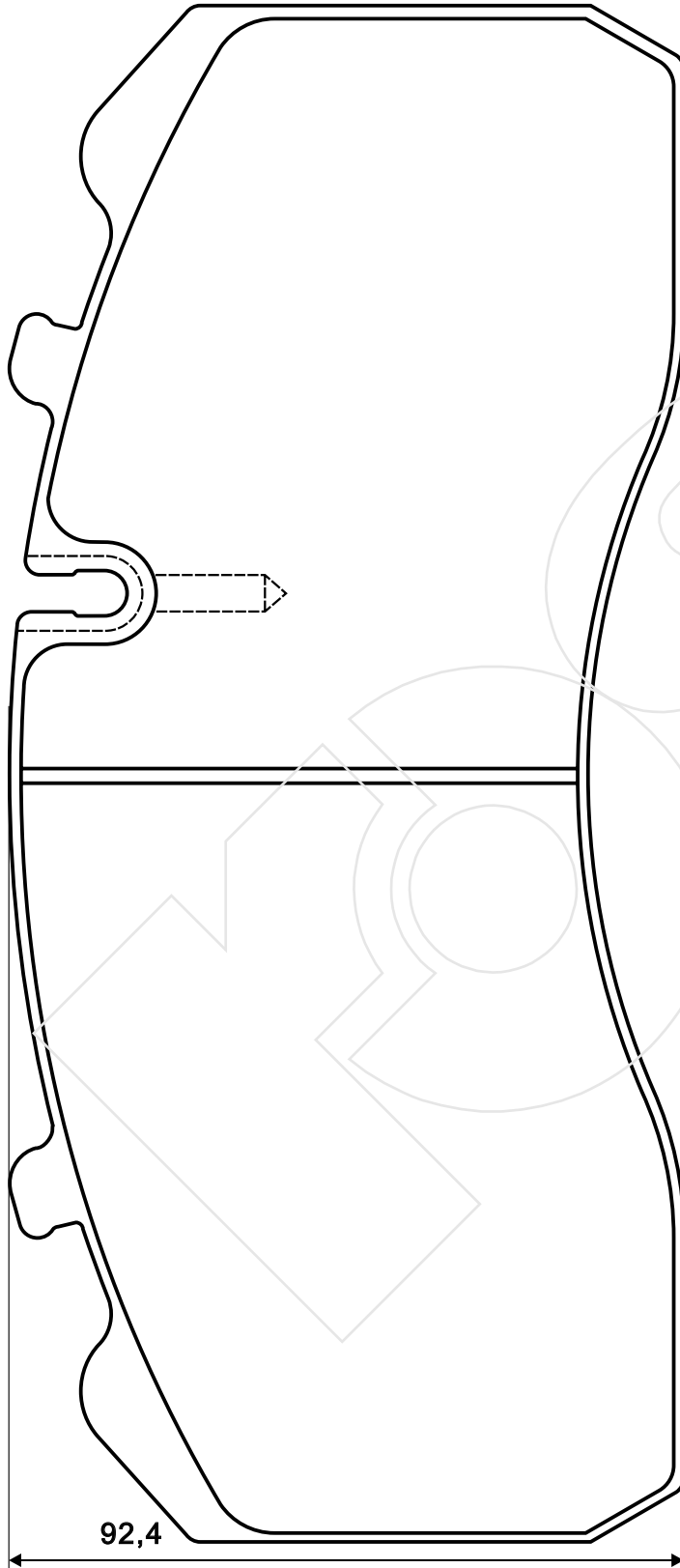
CODICE	IMPIANTO	ASSE	SCALA	APPLICAZIONI
R-5292	KNORR	ANTERIORE	75%	KÄSSBOHRER
CODICE COMPONENTI	N°	L(mm)	SERIE	
*	*	*	4 PEZZI	
*	*			
*	*			
CODICE ACCESSORI	N°	L(mm)	NOTE	
*	*			
*	*			
*	*			
*	*			



Reference in this Catalogue to other manufactures and to part numbers and other descriptions are for identification purposes only, because the above DISC BRAKE PADS are NOT ORIGINAL but with these interchangeable.

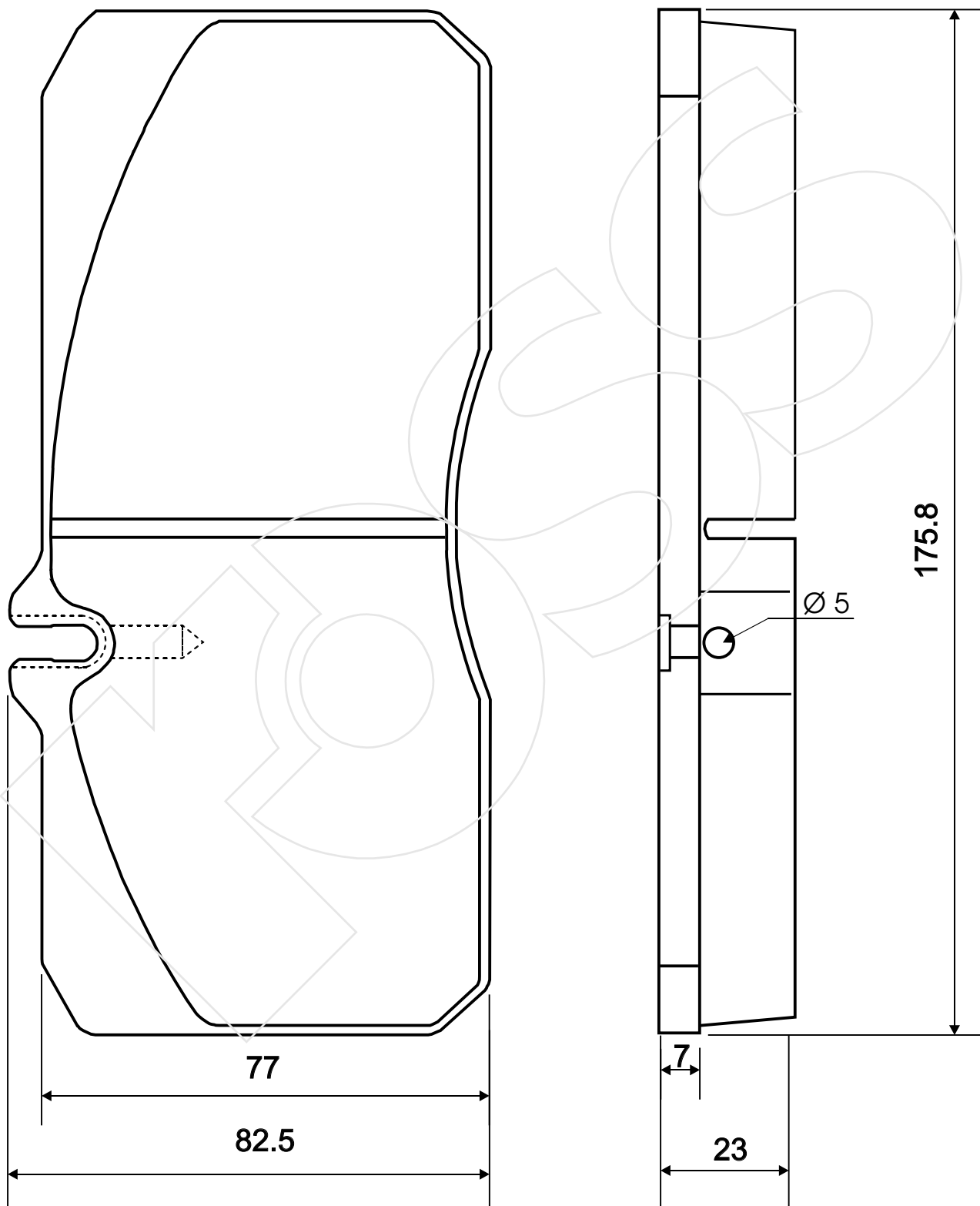
CODICE	IMPIANTO		ASSE	SCALA	APPLICAZIONI
R-5293	KNORR		ANTERIORE	1:1	MAN
CODICE COMPONENTI	N°	L(mm)	SERIE		
*	*	*	4 PEZZI		
*	*				
*	*				
CODICE ACCESSORI	N°	L(mm)	NOTE		
*	*				
*	*				
*	*				
*	*				

MERCEDES



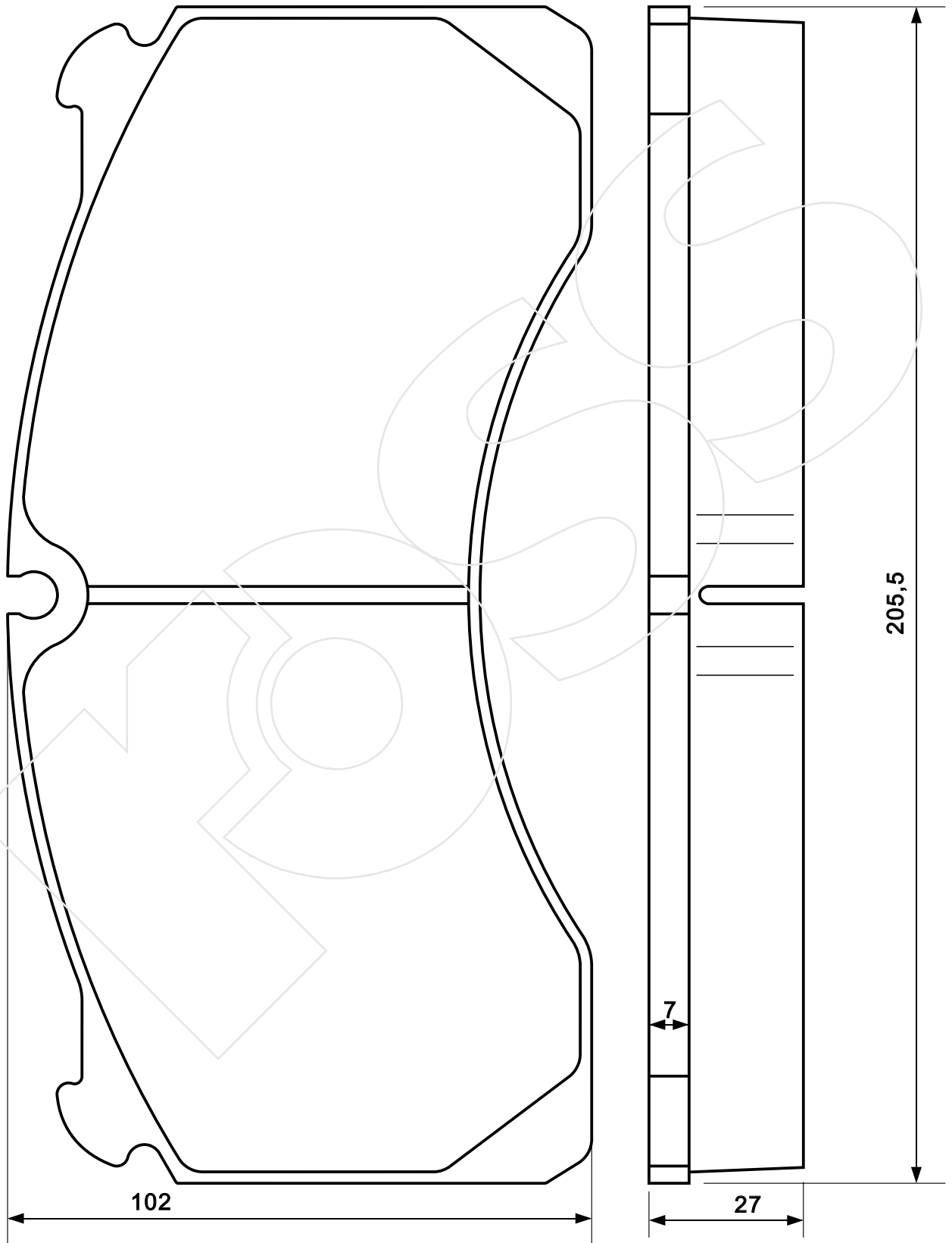
Reference in this Catalogue to other manufactures and to part numbers and other descriptions are for identification purposes only, because the above DISC BRAKE PADS are NOT ORIGINAL but with these interchangeable.

CODICE	IMPIANTO	ASSE	SCALA	APPLICAZIONI
R-5294	PERROT	ANTERIORE	1:1	MAN
CODICE COMPONENTI	N°	L(mm)	SERIE	
*	*	*	4 PEZZI	
*	*	*	*	
*	*	*	*	
CODICE ACCESSORI	N°	L(mm)	NOTE	
*	*	*	*	
*	*	*	*	
*	*	*	*	
*	*	*	*	



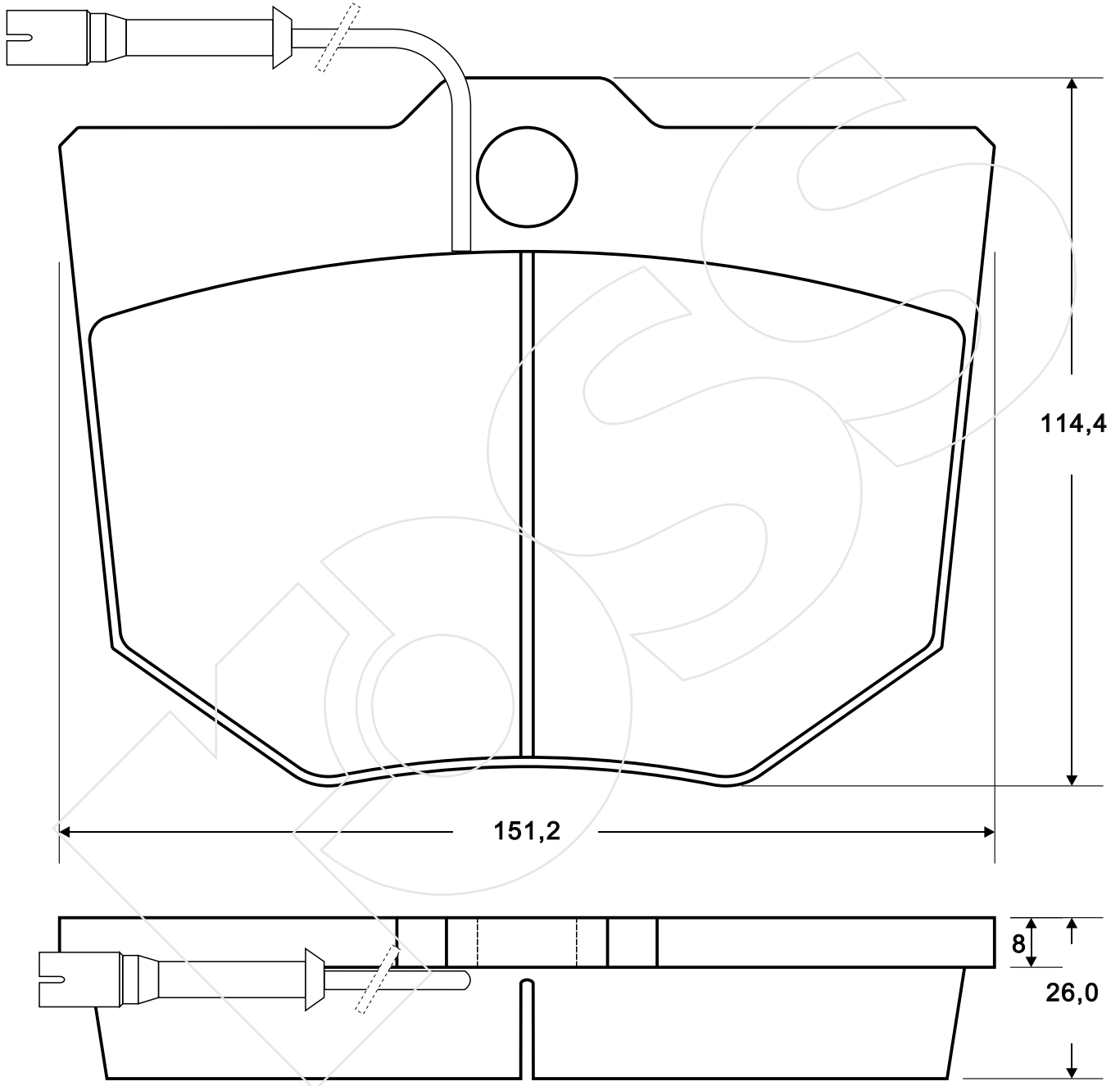
Reference in this Catalogue to other manufactures and to part numbers and other descriptions are for identification purposes only, because the above DISC BRAKE PADS are NOT ORIGINAL but with these interchangeable.

CODICE	IMPIANTO	ASSE	SCALA	APPLICAZIONI
R-5295	MERITOR	ANTERIORE	1:1	R.O.R
CODICE COMPONENTI	N°	L(mm)	SERIE	
*	*	*	4 PEZZI	
*	*			
*	*			
CODICE ACCESSORI	N°	L(mm)	NOTE	
*	*			
*	*			
*	*			



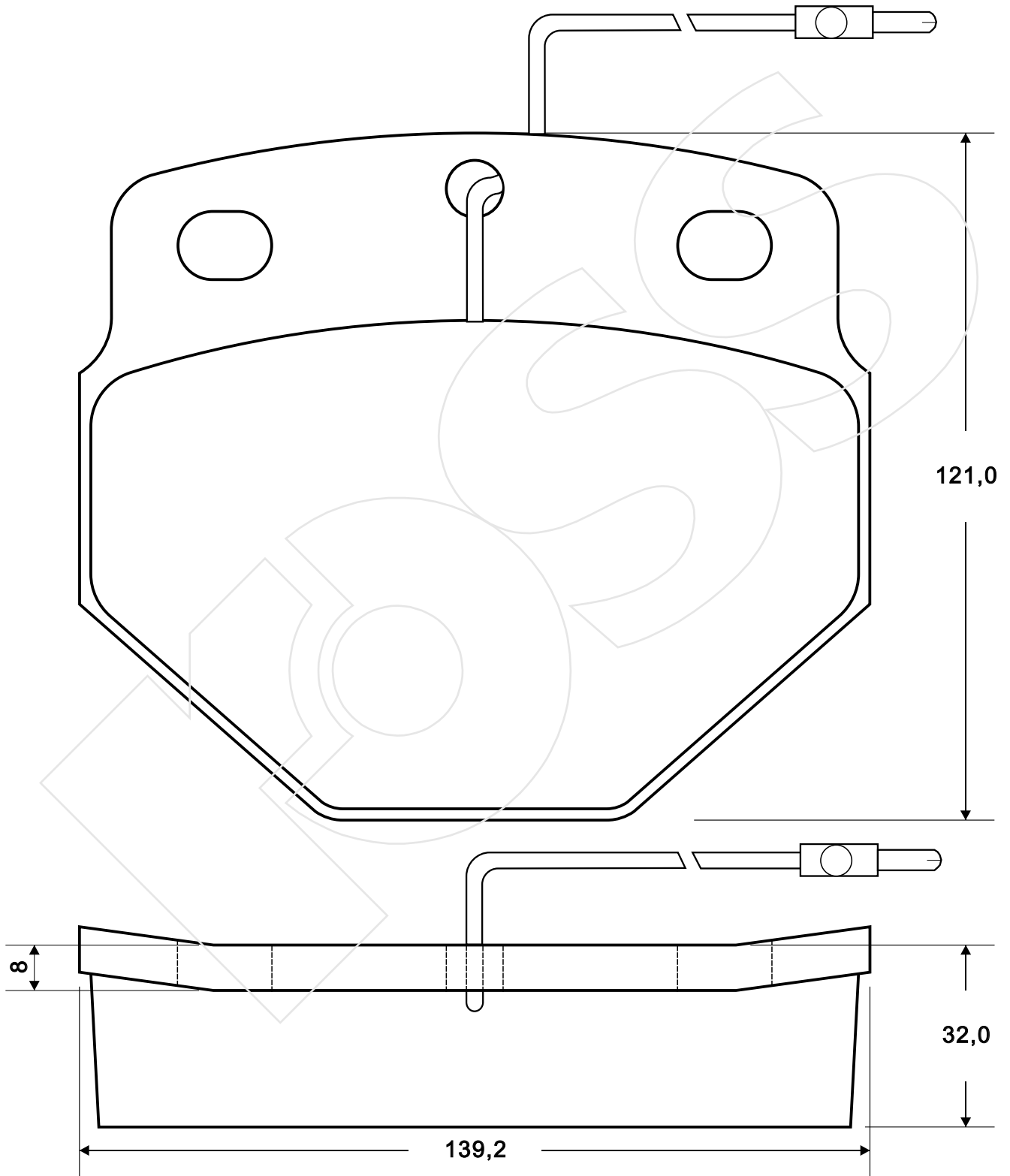
Reference in this Catalogue to other manufactures and to part numbers and other descriptions are for identification purposes only, because the above DISC BRAKE PADS are NOT ORIGINAL but with these interchangeable.

CODICE	IMPIANTO		ASSE	SCALA	APPLICAZIONI
R-5296	PERROT		ANTERIORE	1:1	HANOMAG
CODICE COMPONENTI	N°	L(mm)	SERIE		
F3113	4	280	4 PEZZI		
*	*				
*	*				
CODICE ACCESSORI	N°	L(mm)	NOTE		
*	*				
*	*				
*	*				
*	*				



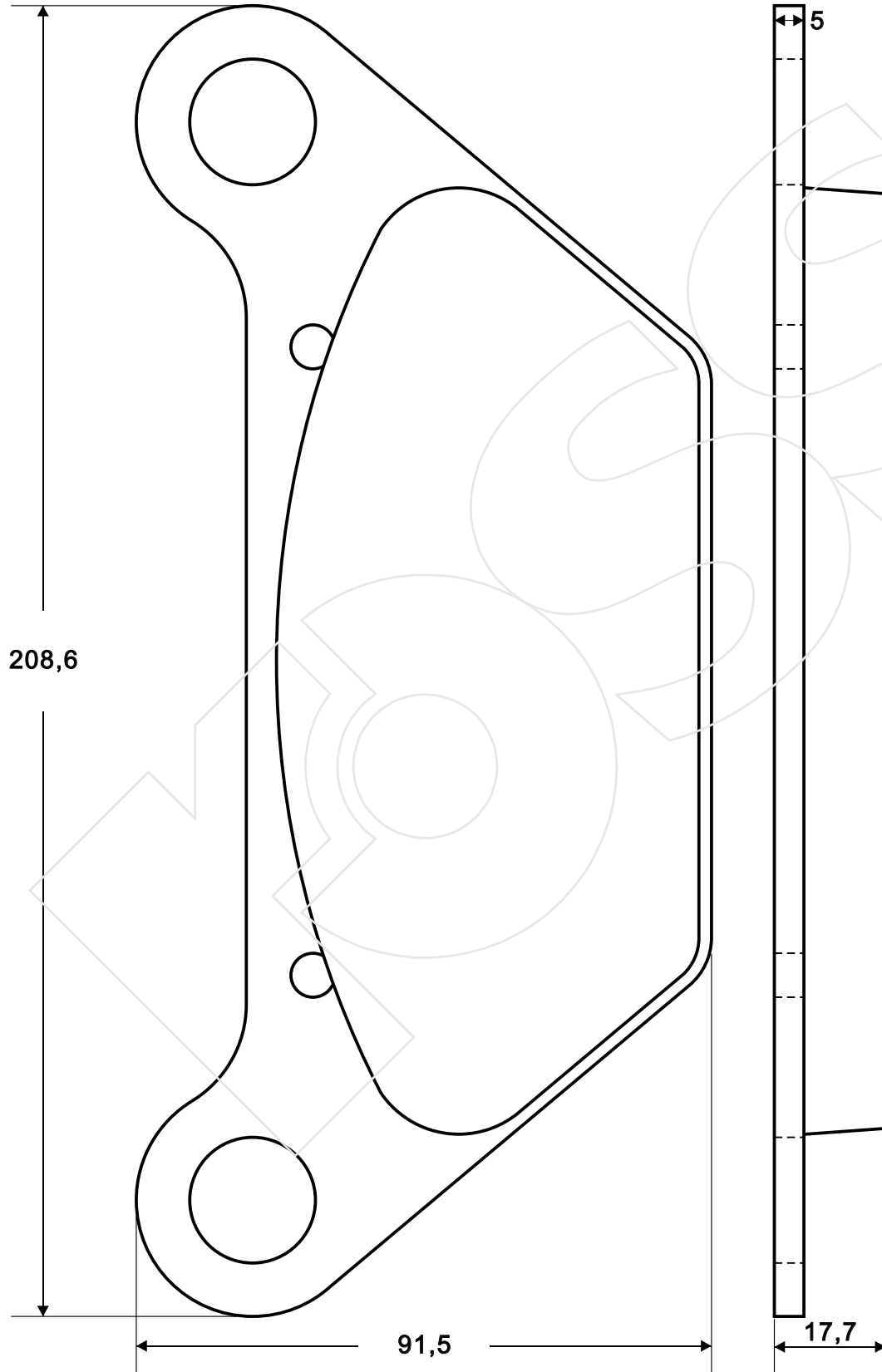
Reference in this Catalogue to other manufactures and to part numbers and other descriptions are for identification purposes only, because the above DISC BRAKE PADS are NOT ORIGINAL but with these interchangeable.

CODICE	IMPIANTO		ASSE	SCALA	APPLICAZIONI
R-5297	KNOR		ANTERIORE	1:1	DAF
CODICE COMPONENTI	N°	L(mm)	SERIE		
F3112	4	520	4 PEZZI		
*	*				
*	*				
CODICE ACCESSORI	N°	L(mm)	NOTE		
*	*				
*	*				
*	*				
*	*				



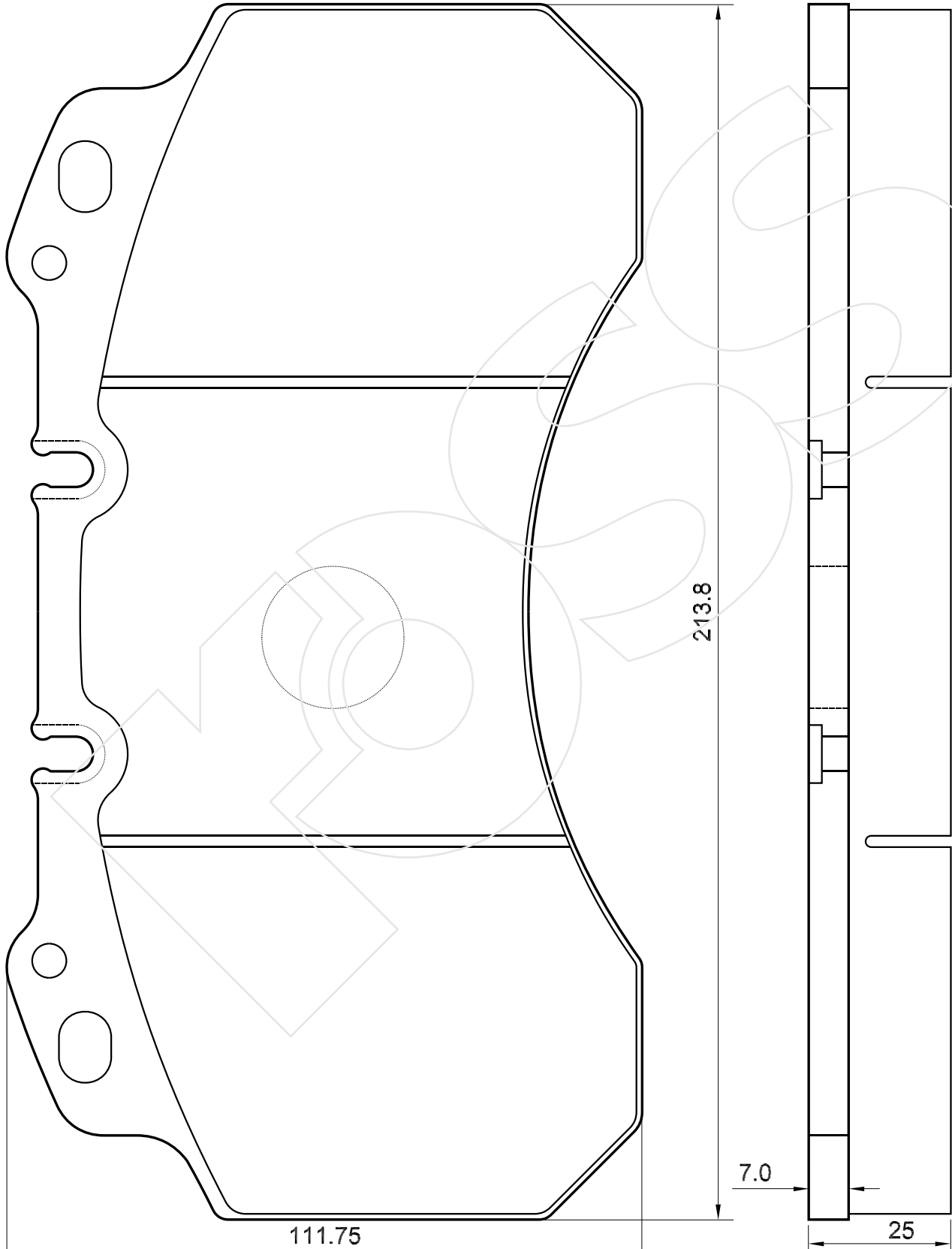
Reference in this Catalogue to other manufactures and to part numbers and other descriptions are for identification purposes only, because the above DISC BRAKE PADS are NOT ORIGINAL but with these interchangeable.

CODICE	IMPIANTO		ASSE	SCALA	APPLICAZIONI
R-5298	*		ANTERIORE	1:1	*
CODICE COMPONENTI	N°	L(mm)	SERIE		
*	*	*	4 PEZZI		
*	*				
*	*				
CODICE ACCESSORI	N°	L(mm)	NOTE		
*	*				
*	*				
*	*				
*	*				



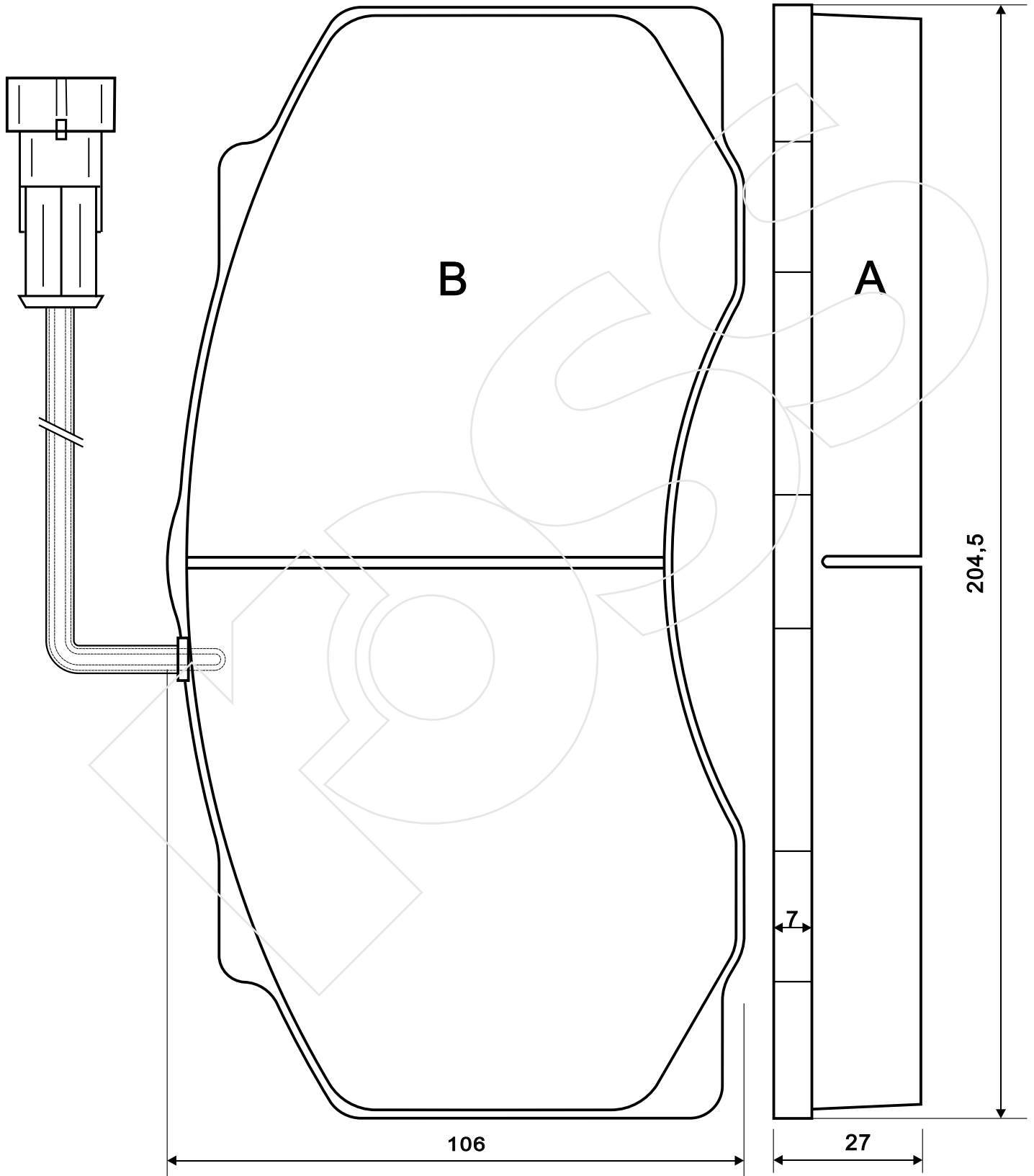
Reference in this Catalogue to other manufactures and to part numbers and other descriptions are for identification purposes only, because the above DISC BRAKE PADS are NOT ORIGINAL but with these interchangeable.

CODICE	IMPIANTO		ASSE	SCALA	APPLICAZIONI
R-5299	GIR		ANTERIORE	100%	NISSAN
CODICE COMPONENTI	N°	L(mm)	SERIE		
*	*	*	4 PEZZI		
*	*	*	*		
*	*	*	*		
*	*	*	*		
CODICE ACCESSORI	N°	L(mm)	NOTE		
*	*	*			
*	*	*			
*	*	*			



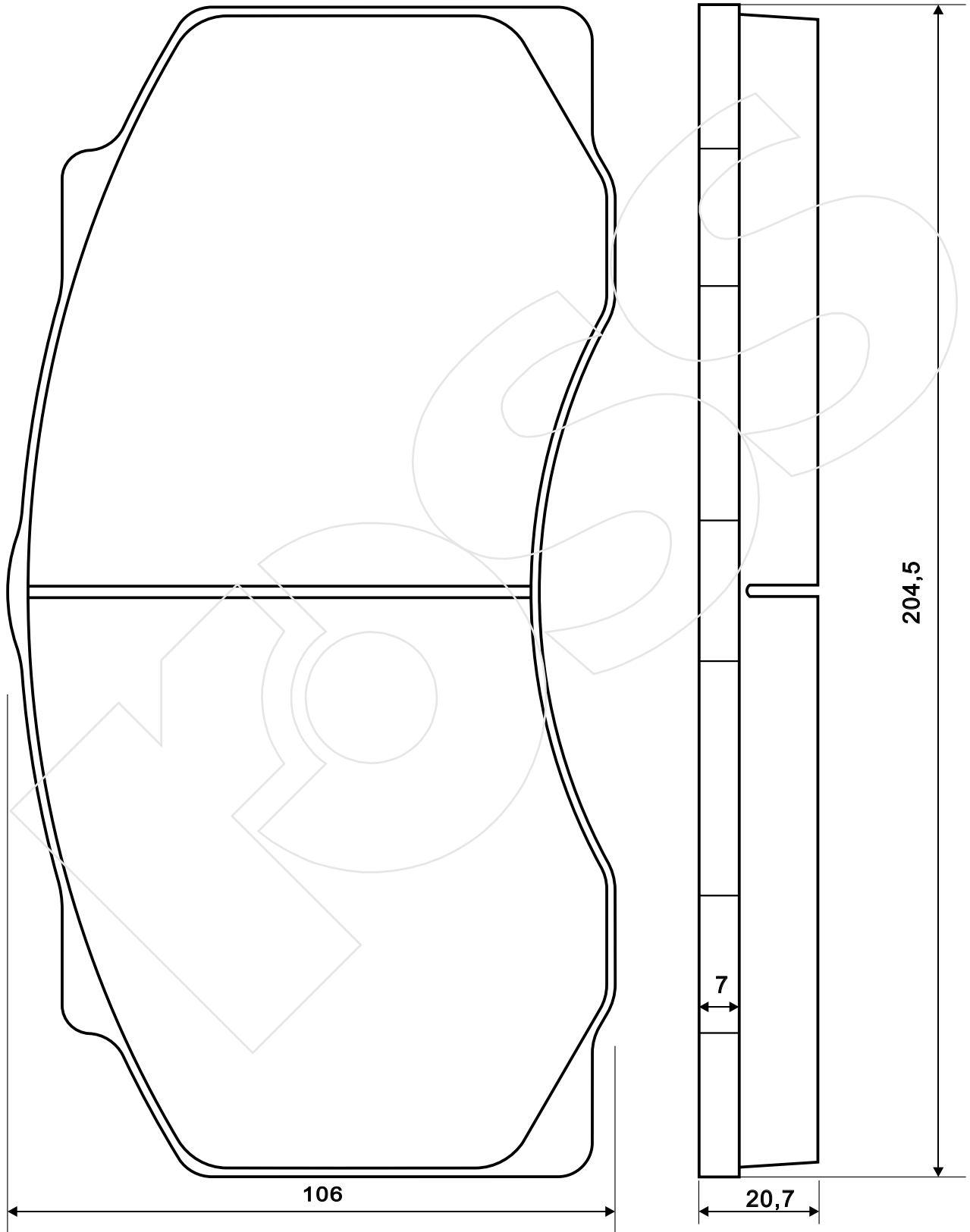
Reference in this Catalogue to other manufactures and to part numbers and other descriptions are for identification purposes only, because the above DISC BRAKE PADS are NOT ORIGINAL but with these interchangeable.

CODICE	IMPIANTO	ASSE	SCALA	APPLICAZIONI
R-5300	PERROT	ANTERIORE	1:1	DAF
CODICE COMPONENTI	N°	L(mm)	SERIE	
*	*	*	2 PEZZI TIPO A	
F3120	2	380	2 PEZZI TIPO B	
*	*	*		
CODICE ACCESSORI	N°	L(mm)	NOTE	
*	*	*		
*	*	*		
*	*	*		



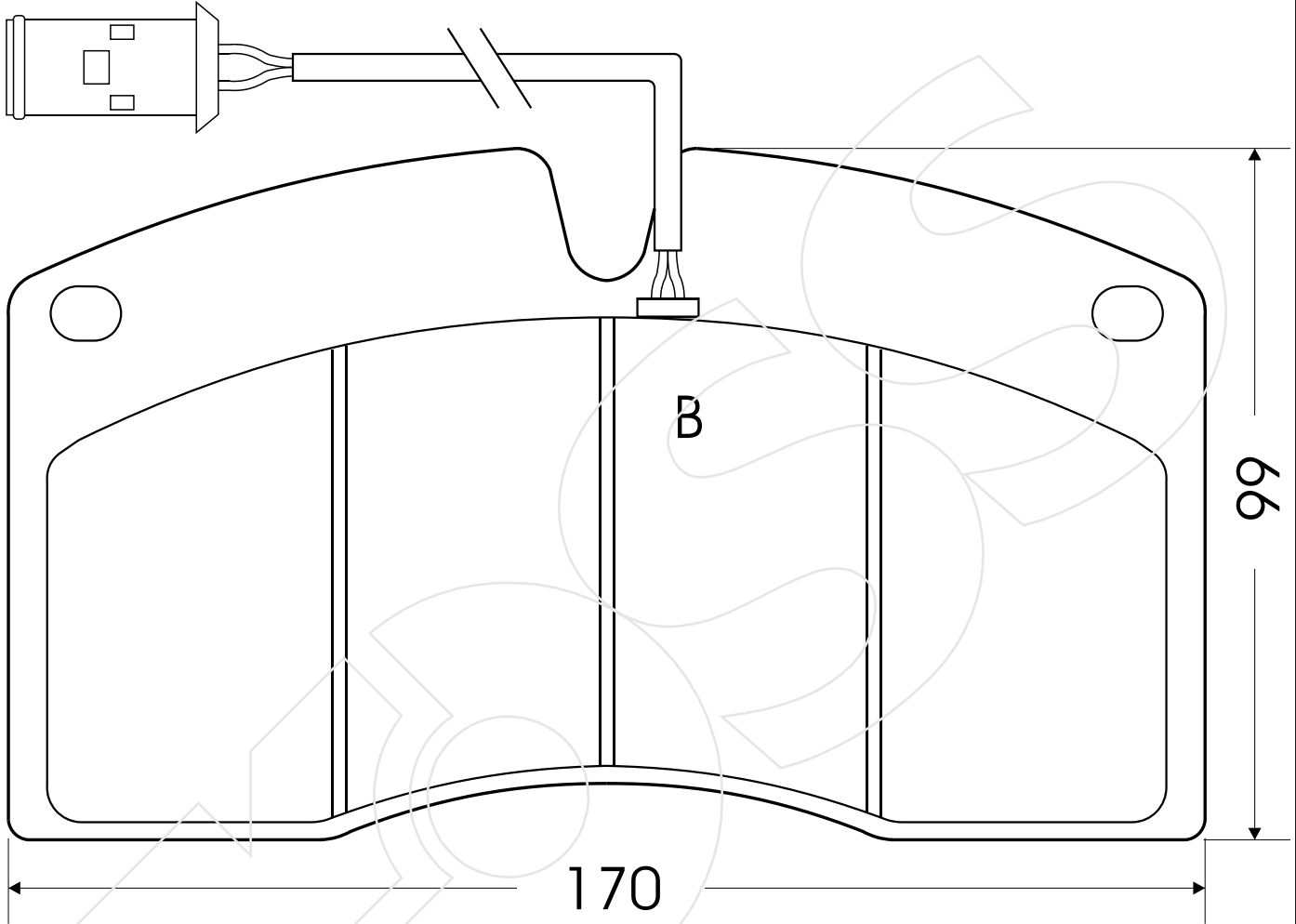
Reference in this Catalogue to other manufactures and to part numbers and other descriptions are for identification purposes only, because the above DISC BRAKE PADS are NOT ORIGINAL but with these interchangeable.

CODICE	IMPIANTO		ASSE	SCALA	APPLICAZIONI
R-5301	PERROT		ANTERIORE	1:1	ASTRA
CODICE COMPONENTI	N°	L(mm)	SERIE		
*	*	*	4 PEZZI		
*	*	*	*		
*	*	*	*		
*	*	*	*		
CODICE ACCESSORI	N°	L(mm)	NOTE		
*	*	*			
*	*	*			
*	*	*			
*	*	*			



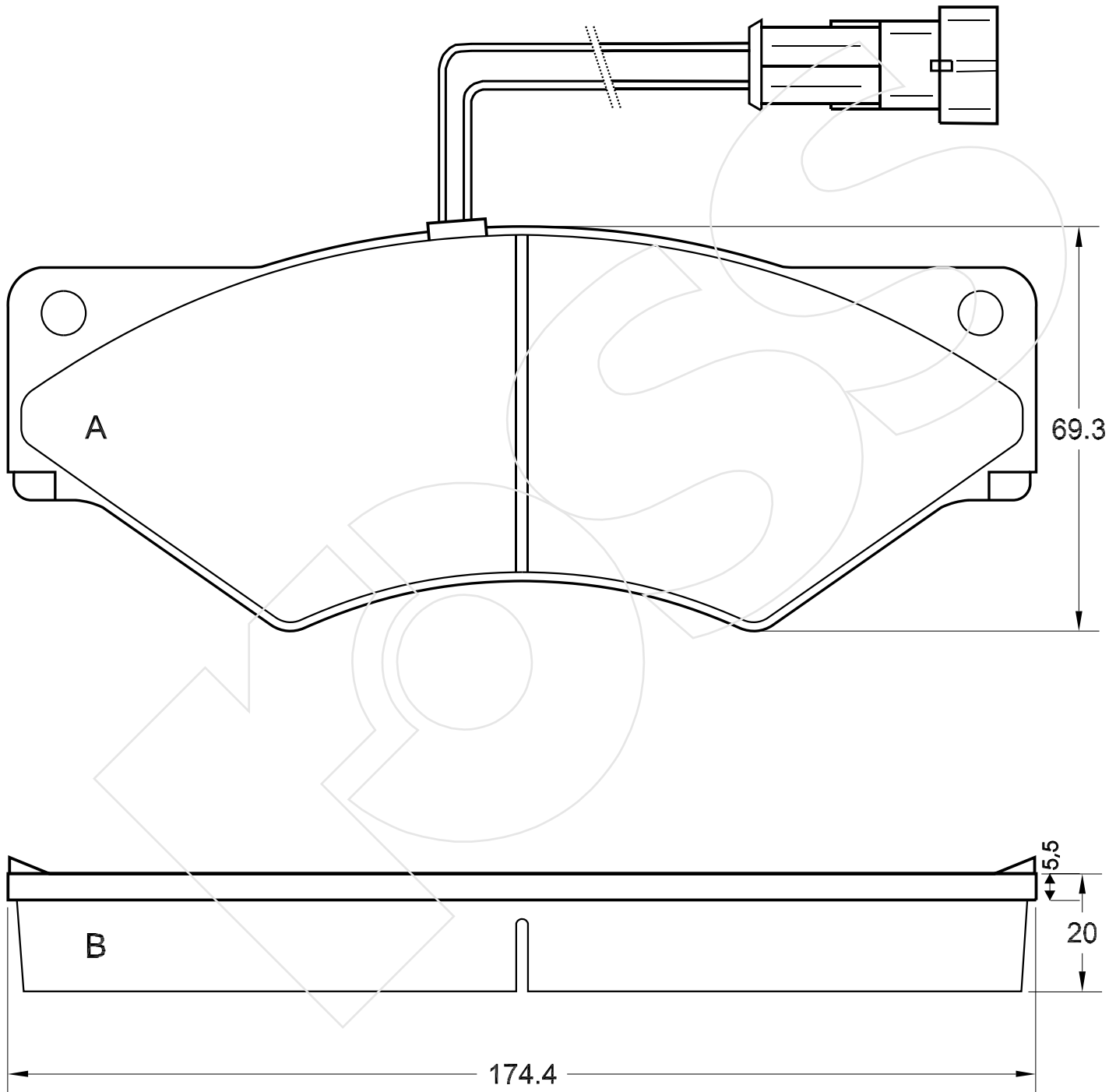
Reference in this Catalogue to other manufactures and to part numbers and other descriptions are for identification purposes only, because the above DISC BRAKE PADS are NOT ORIGINAL but with these interchangeable.

CODICE	IMPIANTO		ASSE	SCALA	APPLICAZIONI
R-5302	BREMBO		ANTERIORE	1:1	MENARINI
CODICE COMPONENTI	N°	L(mm)	SERIE		
	*	*	4 PEZZI A		
F3030	4	460	4 PEZZI B		
*	*	*	*		
*	*	*	*		
CODICE ACCESSORI	N°	L(mm)	NOTE		
*	*				
*	*				
*	*				
*	*				



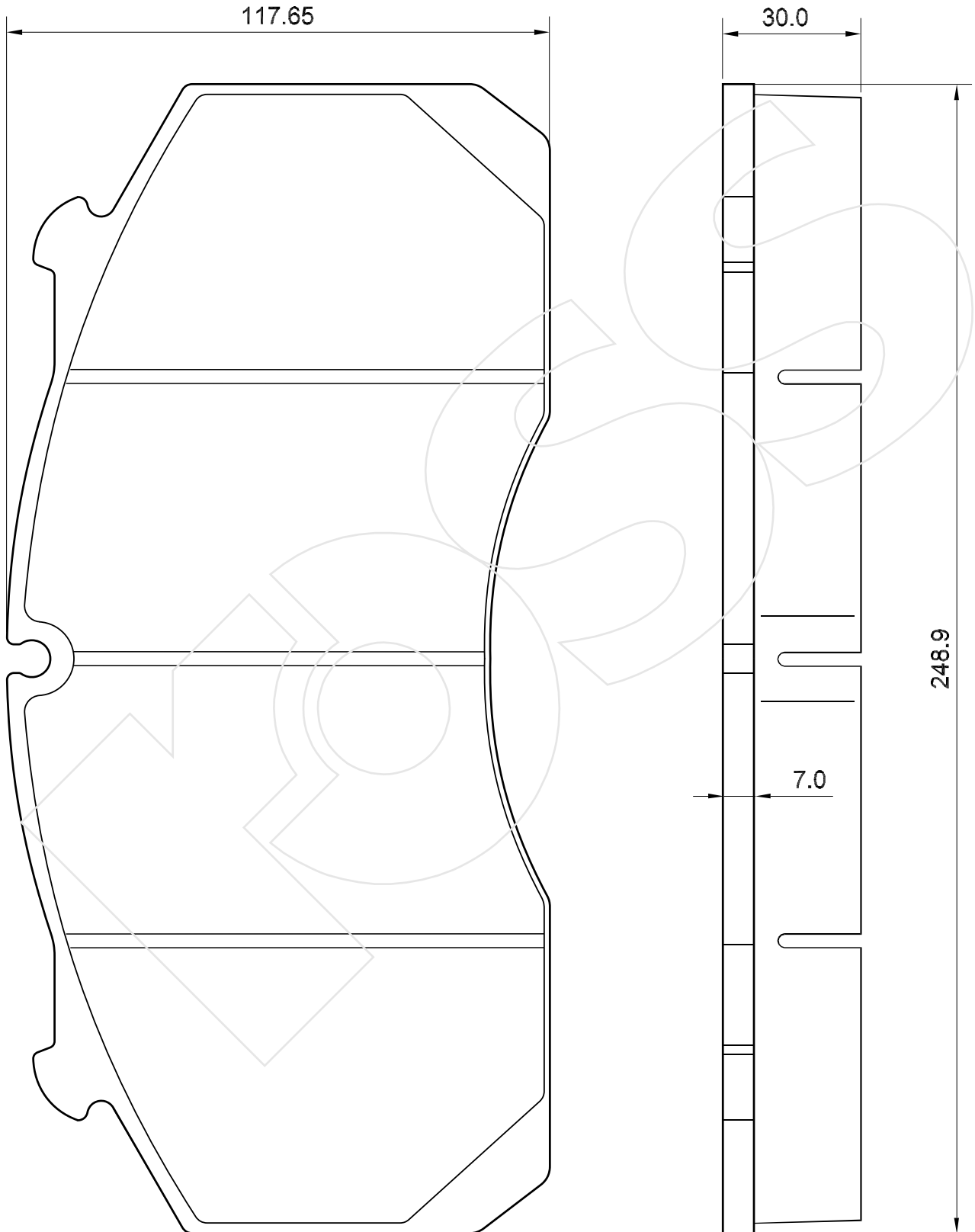
Reference in this Catalogue to other manufactures and to part numbers and other descriptions are for identification purposes only, because the above DISC BRAKE PADS are NOT ORIGINAL but with these interchangeable.

CODICE	IMPIANTO		ASSE	SCALA	APPLICAZIONI
R-5303	PERROT		ANTERIORE	1:1	FIAT IVECO
CODICE COMPONENTI	N°	L(mm)	SERIE		
F3068	2	285	2 PEZZI CON SEGNALETORE		
*	*	*	2 PEZZI SENZA		
*	*	*	*		
*	*	*	*		
CODICE ACCESSORI	N°	L(mm)	NOTE		
*	*	*			
*	*	*			
*	*	*			
*	*	*			



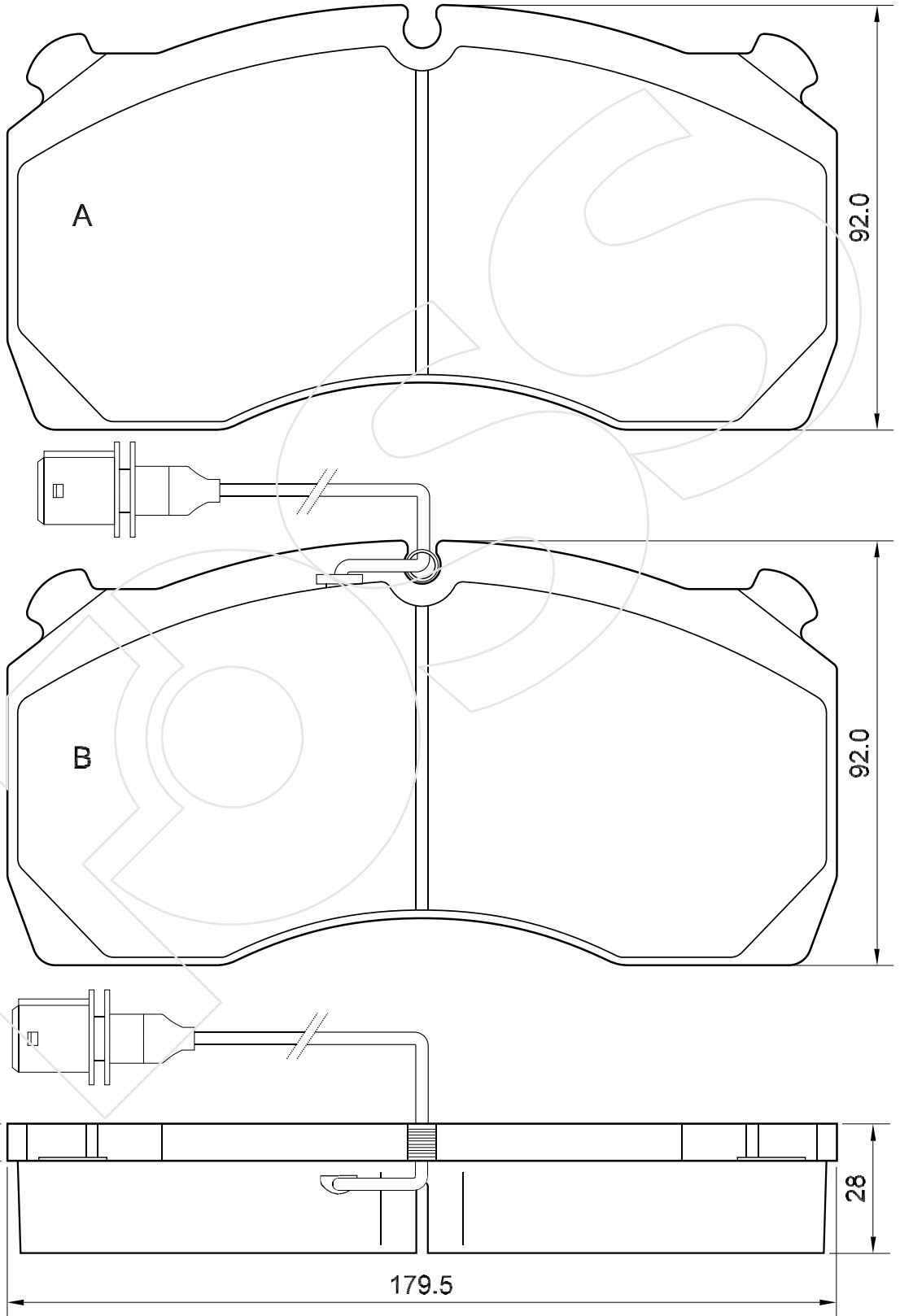
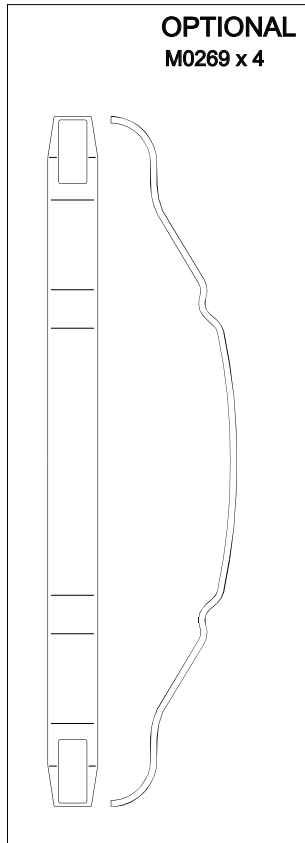
Reference in this Catalogue to other manufactures and to part numbers and other descriptions are for identification purposes only, because the above DISC BRAKE PADS are NOT ORIGINAL but with these interchangeable.

CODICE	IMPIANTO	ASSE	SCALA	APPLICAZIONI
R-5304	MERITOR	ANTERIORE	80%	MERITOR
CODICE COMPONENTI	N°	L(mm)	SERIE	
*	*	*	4 PEZZI	
*	*	*	*	
*	*	*	*	
*	*	*	*	
CODICE ACCESSORI	N°	L(mm)	NOTE	
*	*	*		
*	*	*		
*	*	*		
*	*	*		



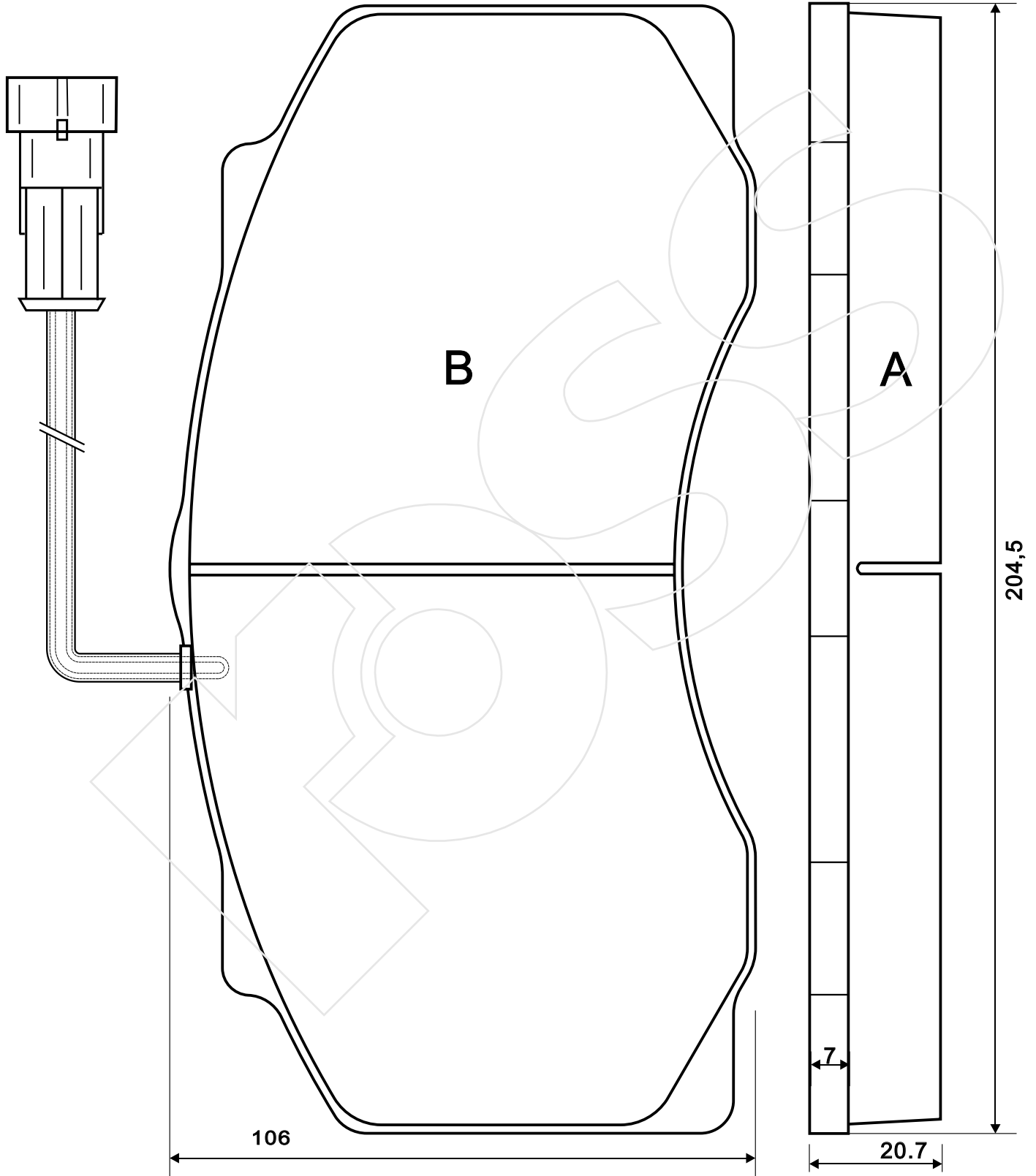
Reference in this Catalogue to other manufactures and to part numbers and other descriptions are for identification purposes only, because the above DISC BRAKE PADS are NOT ORIGINAL but with these interchangeable.

CODICE	IMPIANTO		ASSE	SCALA	APPLICAZIONI
R-5305	MERITOR		ANTERIORE	75%	MERITOR
CODICE COMPONENTI	N°	L(mm)	SERIE		
*	*	*	2 PEZZI TIPO A		
F3131	*	180	2 PEZZI TIPO B		
*	*	*	*		
*	*	*	*		
OPTIONAL	N°	L(mm)	NOTE		
M0269	4	*			
*	*	*			
*	*	*			
*	*	*			



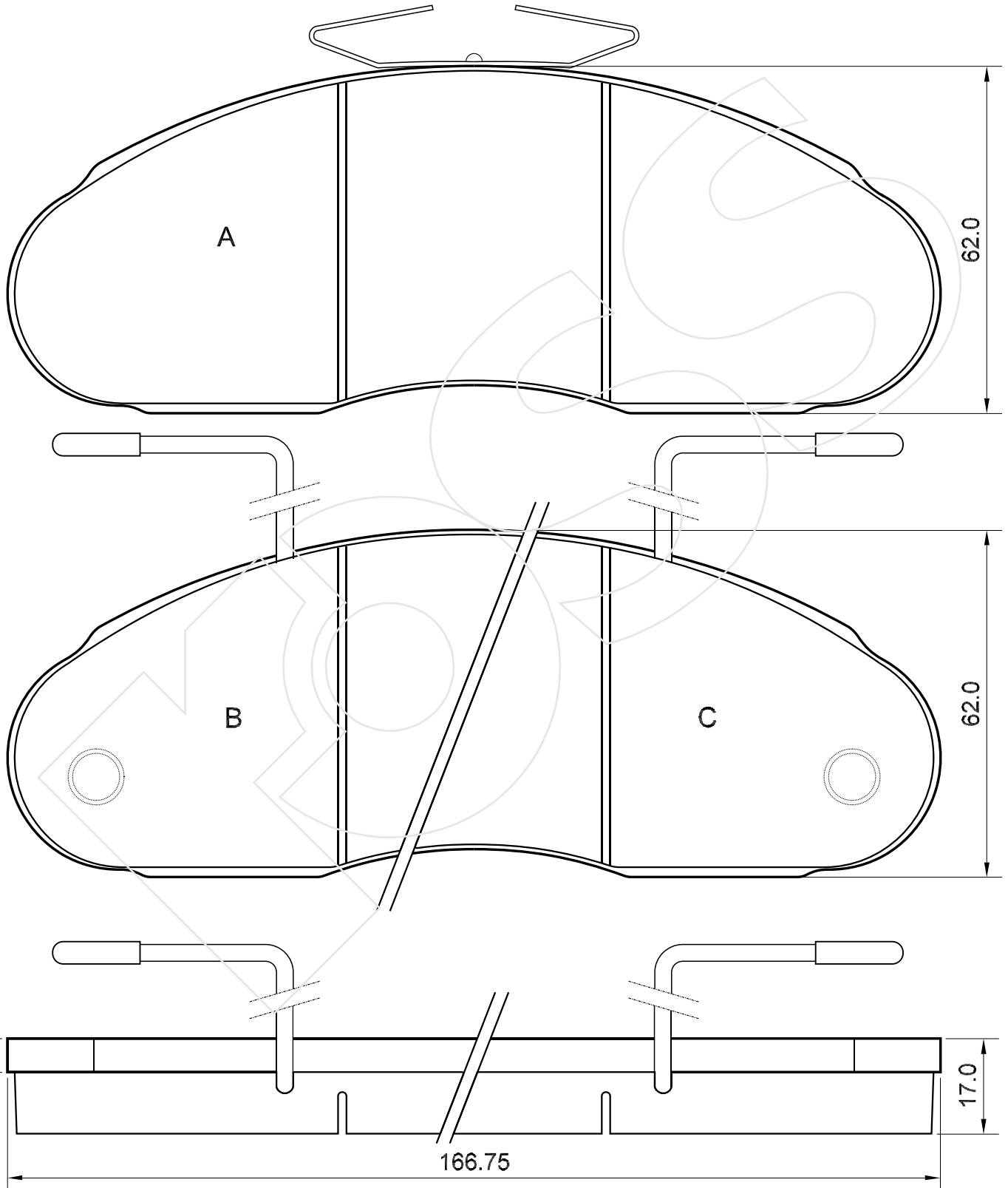
Reference in this Catalogue to other manufactures and to part numbers and other descriptions are for identification purposes only, because the above DISC BRAKE PADS are NOT ORIGINAL but with these interchangeable.

CODICE	IMPIANTO	ASSE	SCALA	APPLICAZIONI
R-5306	PERROT	ANTERIORE	1:1	ASTRA
CODICE COMPONENTI	N°	L(mm)	SERIE	
*	*	*	2 PEZZI TIPO A	
F3120	2	380	2 PEZZI TIPO B	
*	*	*		
CODICE ACCESSORI	N°	L(mm)	NOTE	
*	*	*		
*	*	*		
*	*	*		



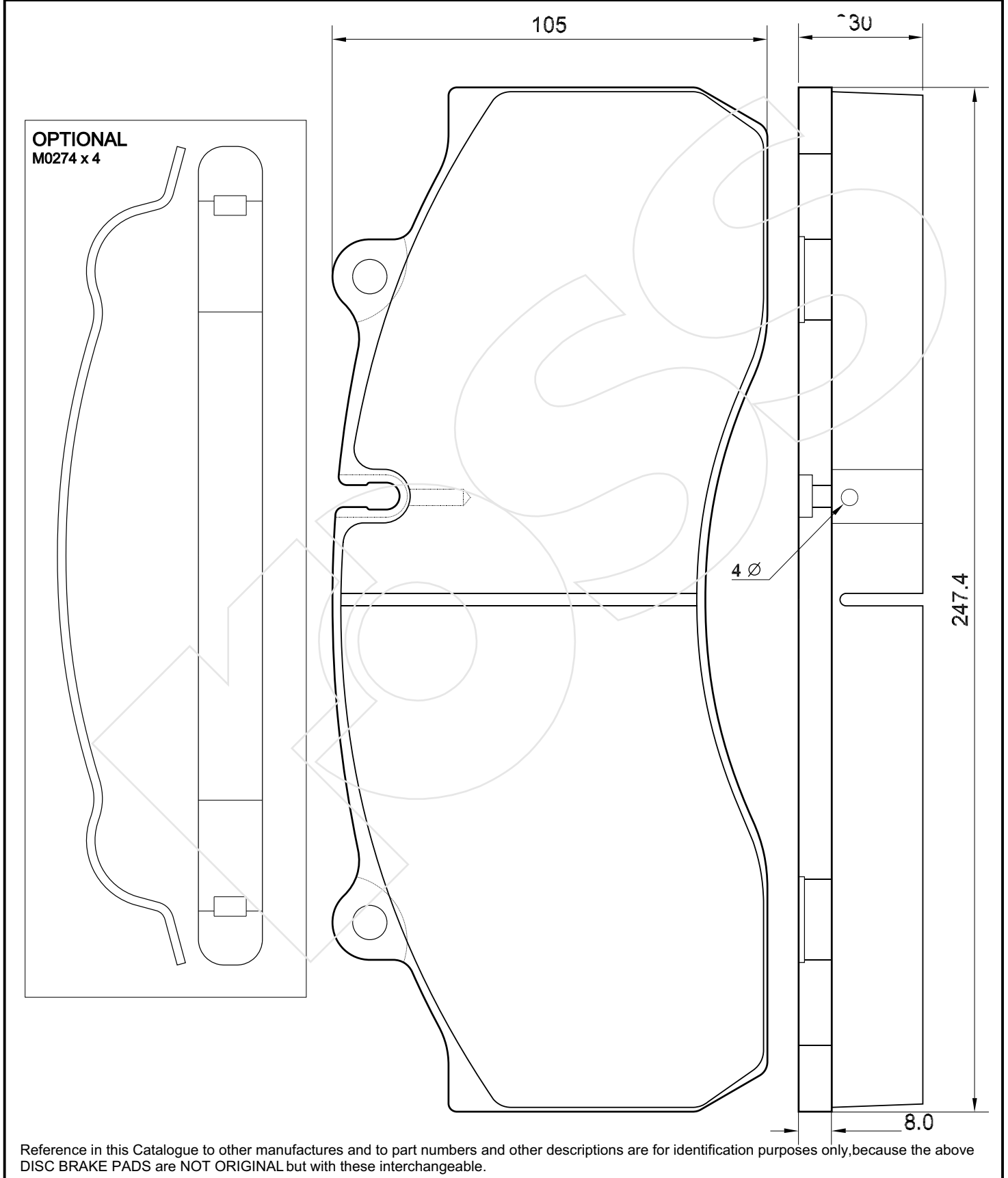
Reference in this Catalogue to other manufactures and to part numbers and other descriptions are for identification purposes only, because the above DISC BRAKE PADS are NOT ORIGINAL but with these interchangeable.

CODICE	IMPIANTO	ASSE	SCALA	APPLICAZIONI
R-5307	BENDIX	ANTERIORE	100%	NISSAN
CODICE COMPONENTI	N°	L(mm)	SERIE	
M0085+P1008	2+2	*	2 PEZZI TIPO A	
F3007	1	250	1 PEZZO TIPO B	
F3007	1	250	1 PEZZO TIPO C	
*	*	*	*	
CODICE ACCESSORI	N°	L(mm)	NOTE	
*	*	*		
*	*	*		
*	*	*		
*	*	*		

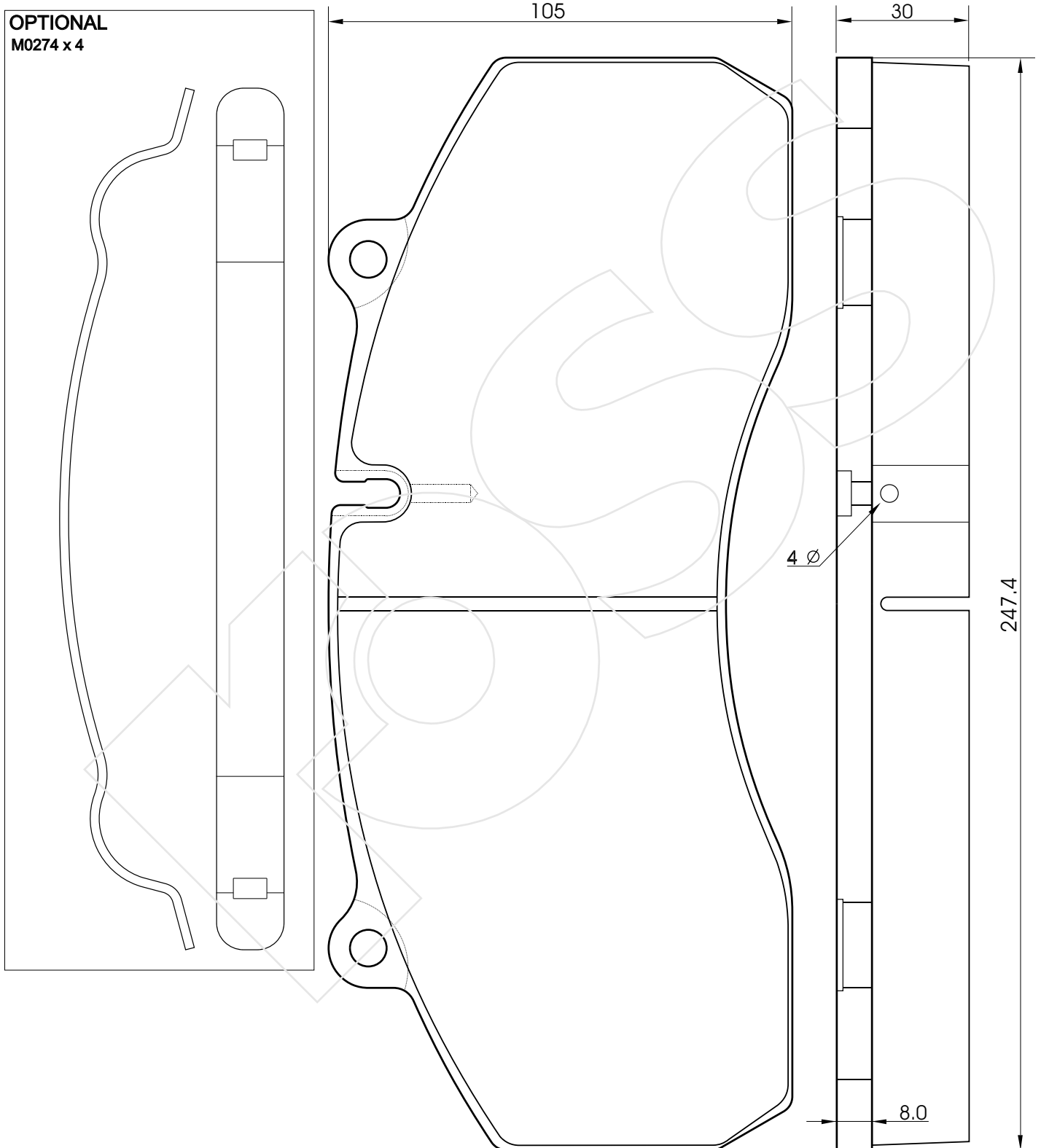


Reference in this Catalogue to other manufactures and to part numbers and other descriptions are for identification purposes only, because the above DISC BRAKE PADS are NOT ORIGINAL but with these interchangeable.

CODICE	IMPIANTO	ASSE	SCALA	APPLICAZIONI
R-5308	HALDEX	ANTERIORE/POSTERIORE	80%	RIMORCHIO (TRAILER) SCANIA SAF DISCOS SMB
CODICE COMPONENTI	N°	L(mm)	SERIE	
*	*	*	4 PEZZI CON FORO	
*	*	*	*	
*	*	*	*	
*	*	*	*	
OPTIONAL	N°	L(mm)	NOTE	
F3127	2	285		
M0274	4	*		
*	*	*		
*	*	*		
				FMSI: W.V.A.:29143 O.E.:



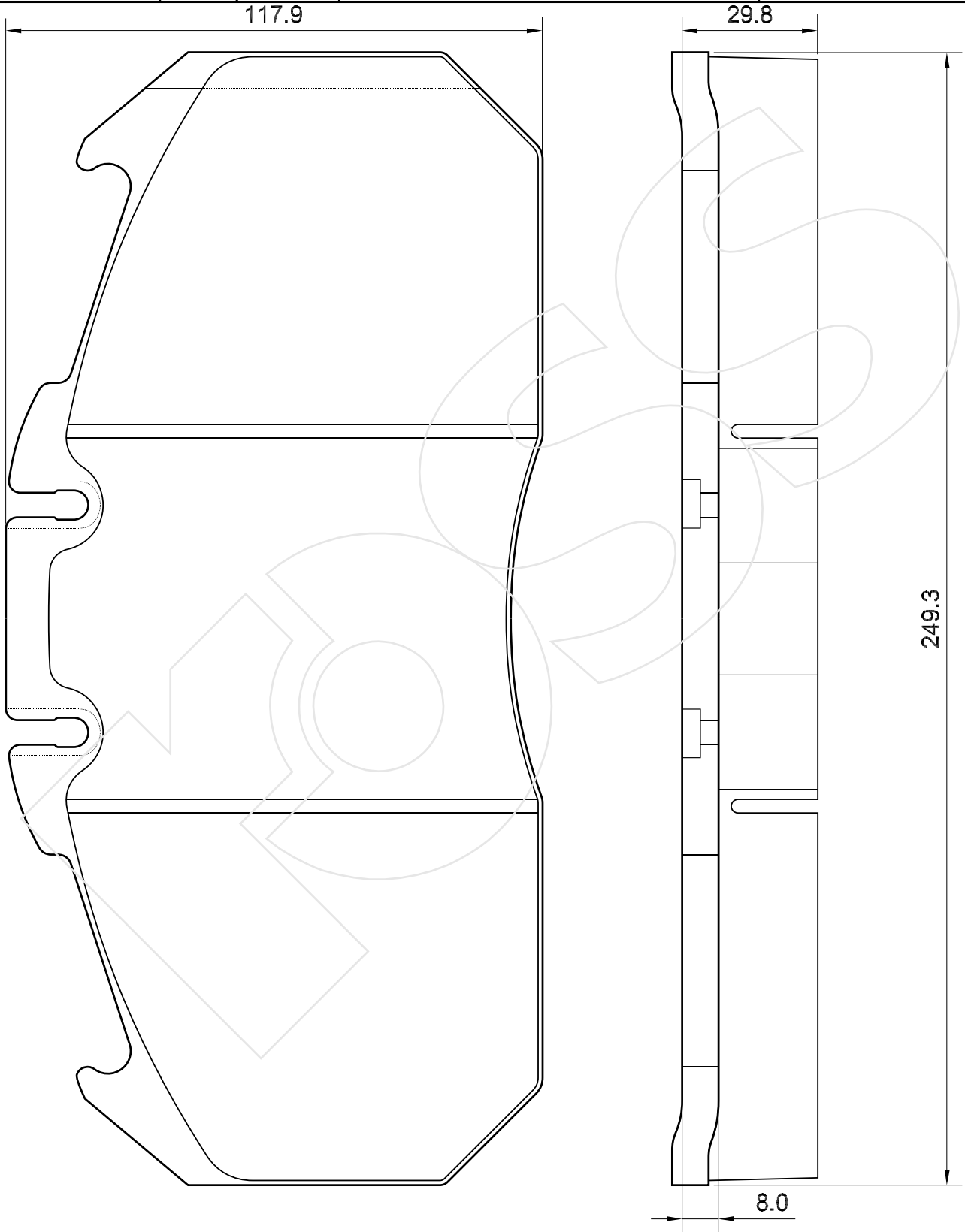
CODICE	IMPIANTO		ASSE	SCALA	APPLICAZIONI
R-5309	HALDEX		ANTERIORE/POSTERIORE	80%	RIMORCHIO (TRAILER) SCANIA:
CODICE COMPONENTI	N°	L(mm)	SERIE		SAF: DISCOS SMB
*	*	*	4 PEZZI CON FORO		
*	*	*	*		
*	*	*	*		
*	*	*	*		
OPTIONAL	N°	L(mm)	NOTE		
F3127	2	285			
M0274	4	*			
*	*	*			
*	*	*			



Reference in this Catalogue to other manufactures and to part numbers and other descriptions are for identification purposes only, because the above DISC BRAKE PADS are NOT ORIGINAL but with these interchangeable.

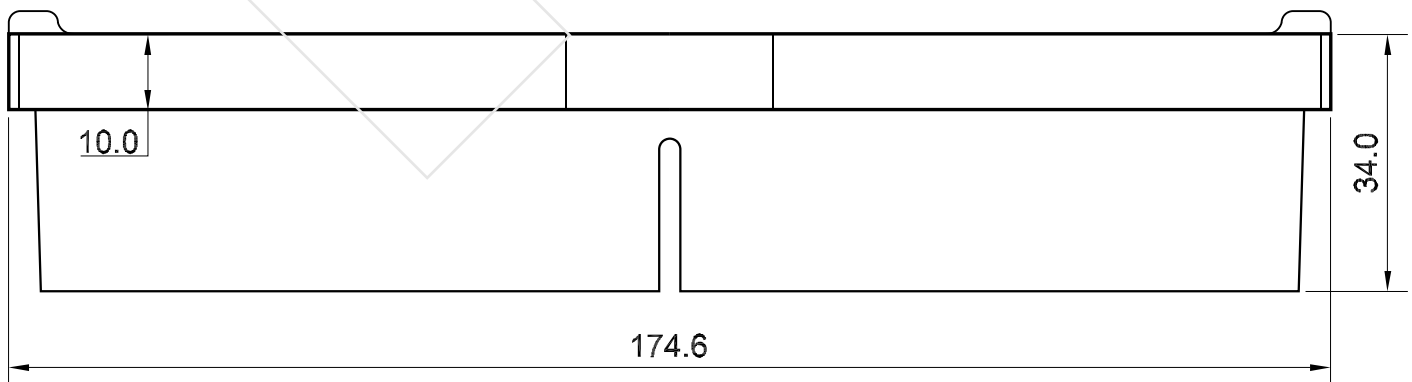
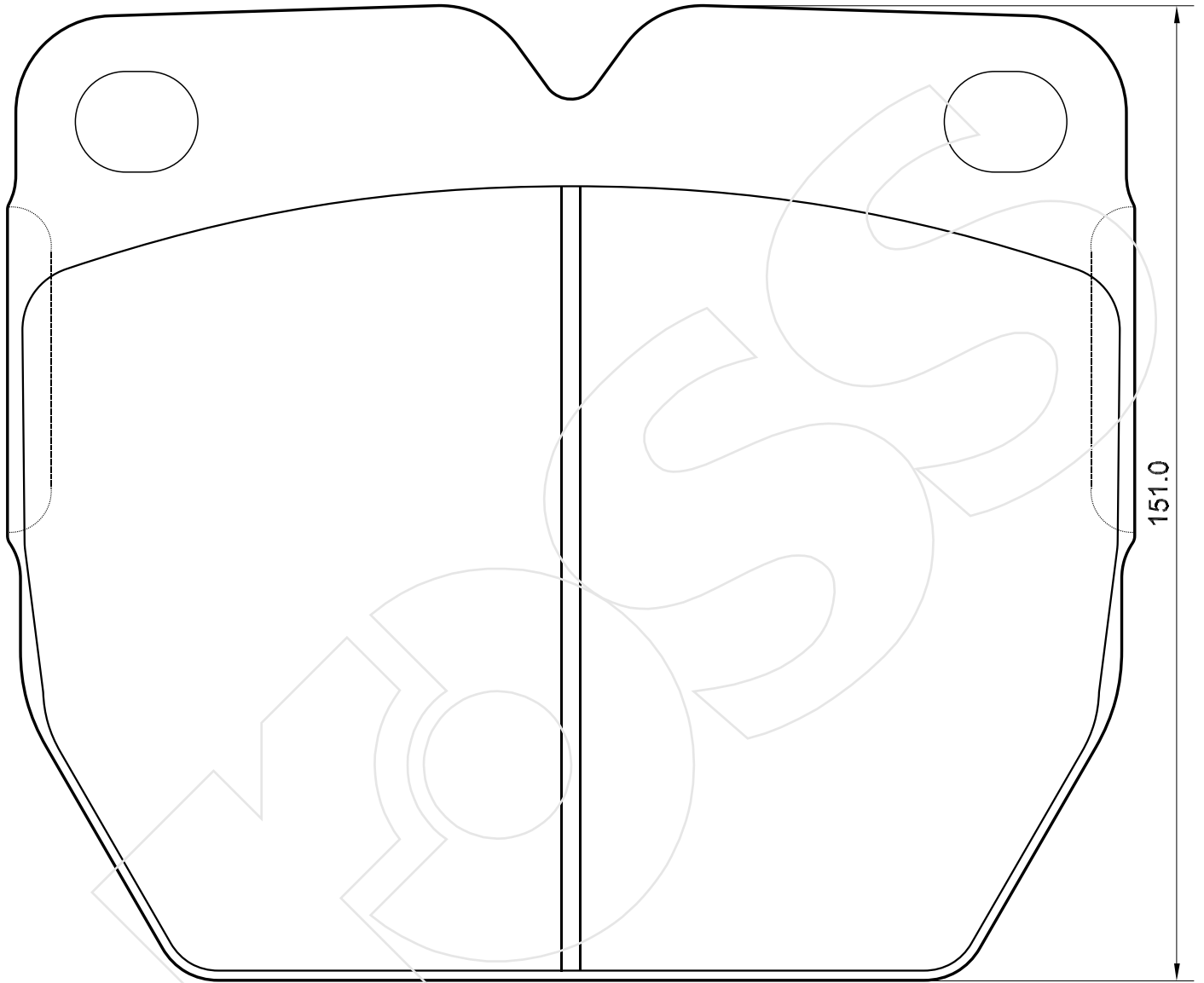
CODICE	IMPIANTO		ASSE	SCALA	APPLICAZIONI
R-5310	MERITOR		ANTERIORE-POSTERIORE	80%	RENAULT
CODICE COMPONENTI	N°	L(mm)	SERIE		
*	*	*	4 PEZZI CON FORO		
*	*	*	*		
*	*	*	*		
*	*	*	*		
CODICE ACCESSORI	N°	L(mm)	NOTE		
*	*	*			
*	*	*			
*	*	*			
*	*	*			

MAN



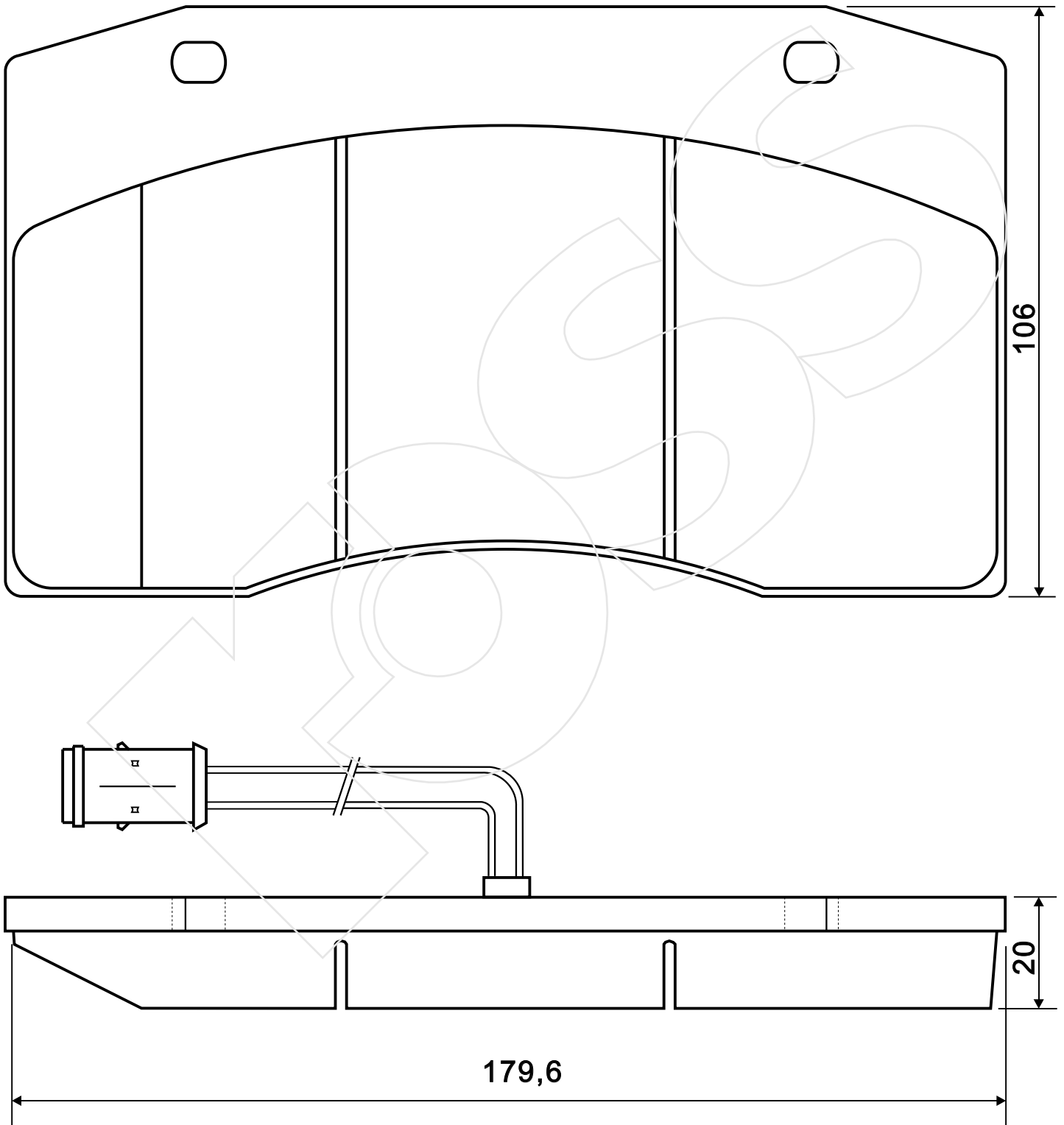
Reference in this Catalogue to other manufactures and to part numbers and other descriptions are for identification purposes only, because the above DISC BRAKE PADS are NOT ORIGINAL but with these interchangeable.

CODICE	IMPIANTO	ASSE	SCALA	APPLICAZIONI
R-5311	*	ANTERIORE	100%	PERLINI :
CODICE COMPONENTI	N°	L(mm)	SERIE	
*	*	*	4 PEZZI	
*	*	*	*	
*	*	*	*	
CODICE ACCESSORI	N°	L(mm)	NOTE	
*	*	*		
*	*	*		
*	*	*		



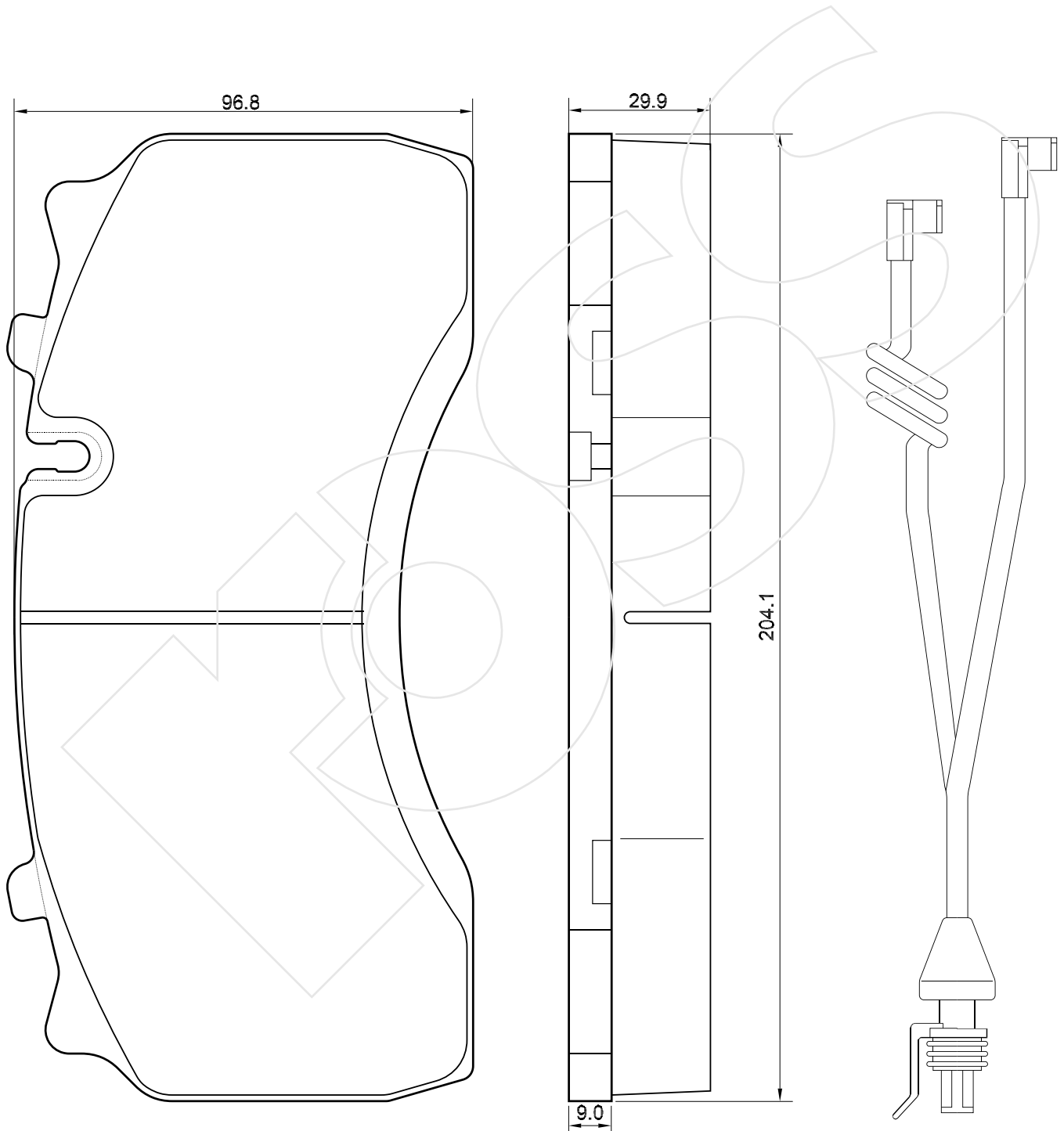
Reference in this Catalogue to other manufactures and to part numbers and other descriptions are for identification purposes only, because the above DISC BRAKE PADS are NOT ORIGINAL but with these interchangeable.

CODICE	IMPIANTO		ASSE	SCALA	APPLICAZIONI
R-5312	BREMBO		ANTERIORE	1:1	FIAT IVECO
CODICE COMPONENTI	N°	L(mm)	SERIE		
*	*		3 PEZZI CON SMUSSO A DX		
*	*		3 PEZZI CON SMUSSO A SX		
F3143	1	650	1 PEZZO CON SMUSSO A DX + CAVO		
F3143	1	650	1 PEZZO CON SMUSSO A SX + CAVO		
CODICE ACCESSORI	N°	L(mm)	NOTE		
*	*		*		
*	*		*		
*	*		*		
*	*		*		



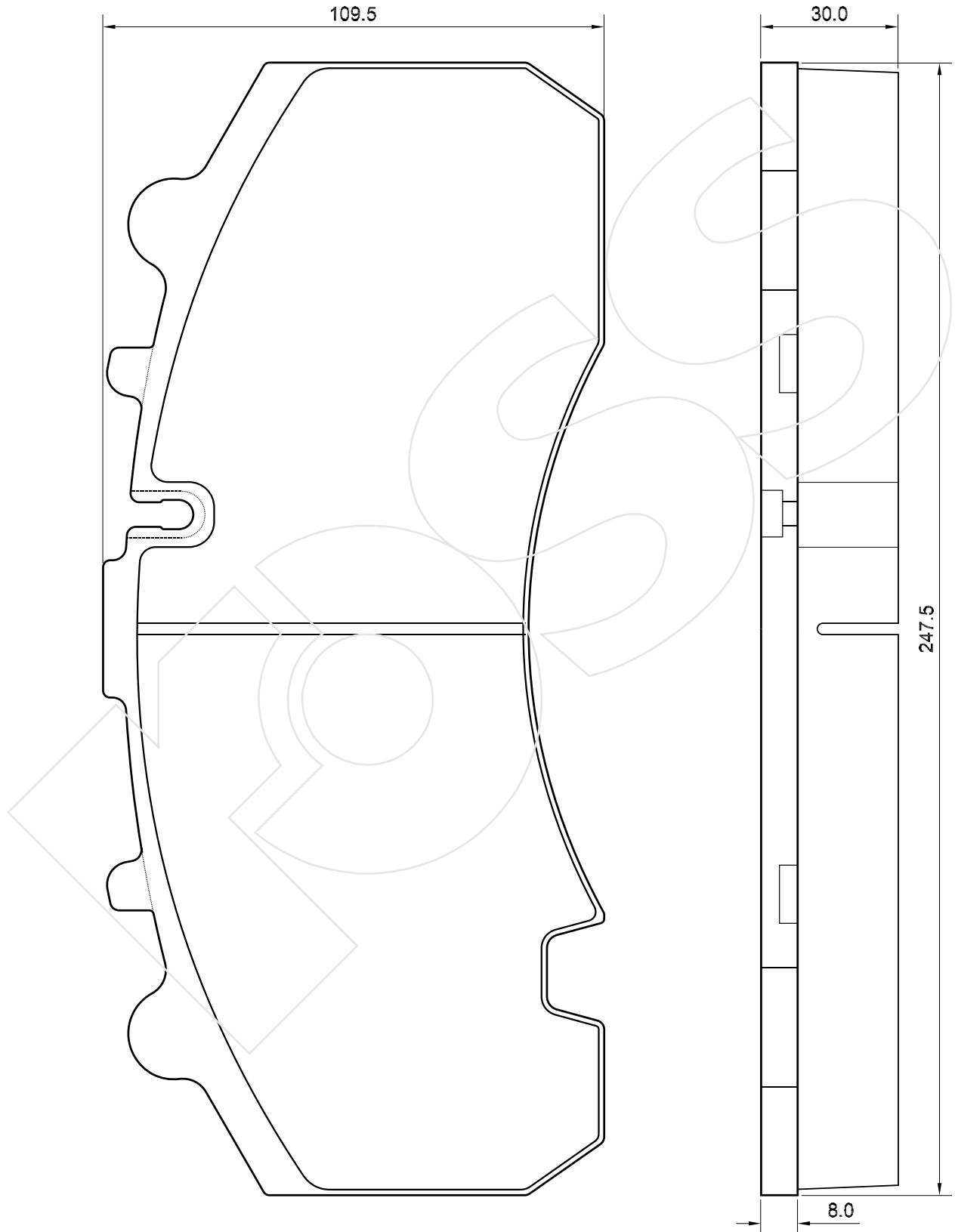
Reference in this Catalogue to other manufactures and to part numbers and other descriptions are for identification purposes only, because the above DISC BRAKE PADS are NOT ORIGINAL but with these interchangeable.

CODICE	IMPIANTO		ASSE	SCALA	APPLICAZIONI
R-5313	WABCO		ANTERIORE	80%	RENAULT
CODICE COMPONENTI	N°	L(mm)	SERIE		DAF
*	*	*	4 PEZZI		
*	*	*			
*	*	*			
*	*	*			
CODICE ACCESSORI	N°	L(mm)	NOTE		
F3145	2	360			
*	*	*			
*	*	*			
*	*	*			



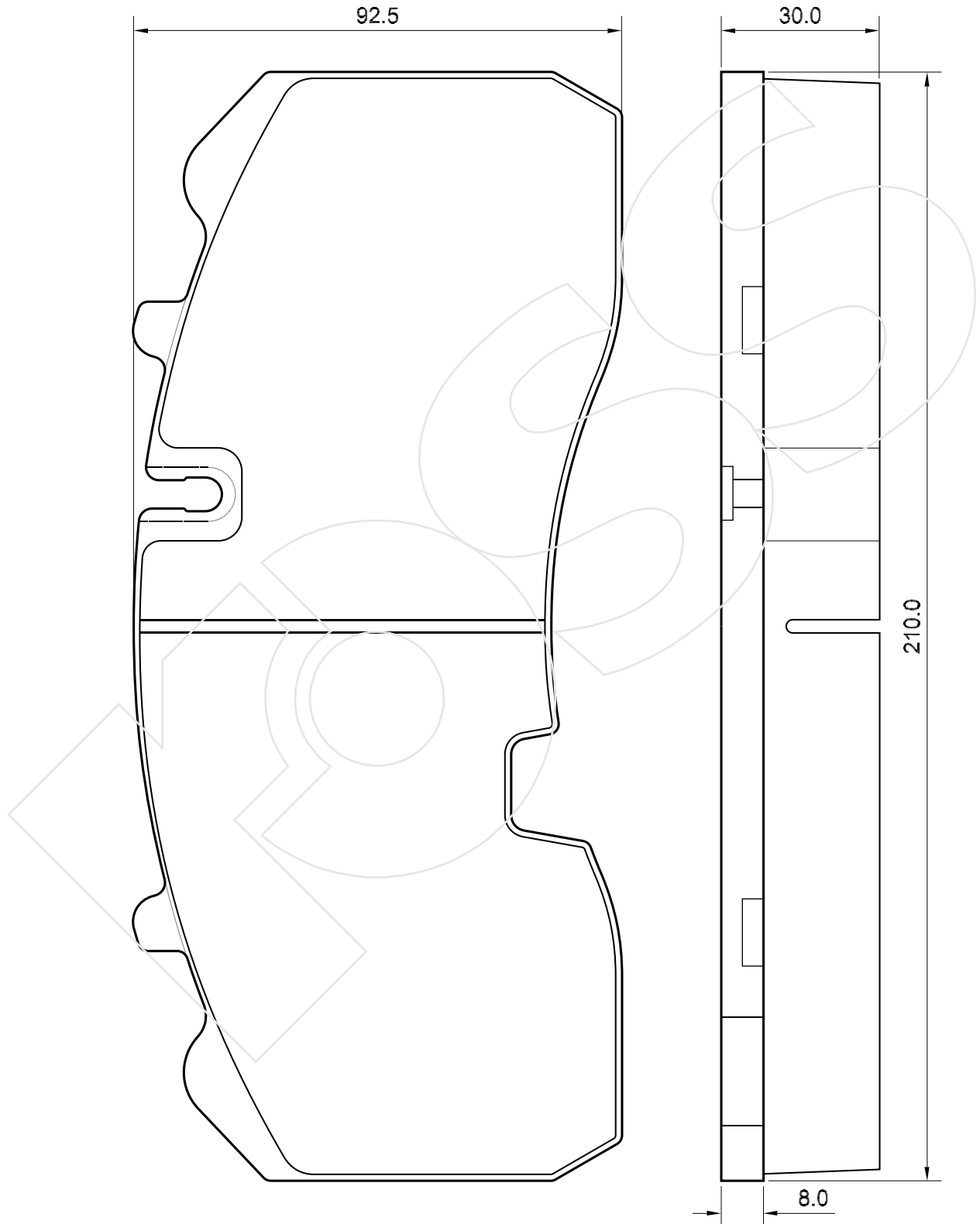
Reference in this Catalogue to other manufactures and to part numbers and other descriptions are for identification purposes only, because the above DISC BRAKE PADS are NOT ORIGINAL but with these interchangeable.

CODICE	IMPIANTO		ASSE	SCALA	APPLICAZIONI
R-5314	KNORR		ANTERIORE	80%	KNORR
CODICE COMPONENTI	N°	L(mm)	SERIE		BPW
*	*	*	4 PEZZI		
*	*	*	*		
*	*	*	*		
*	*	*	*		
CODICE ACCESSORI	N°	L(mm)	NOTE		
*	*	*			
*	*	*			
*	*	*			
*	*	*			



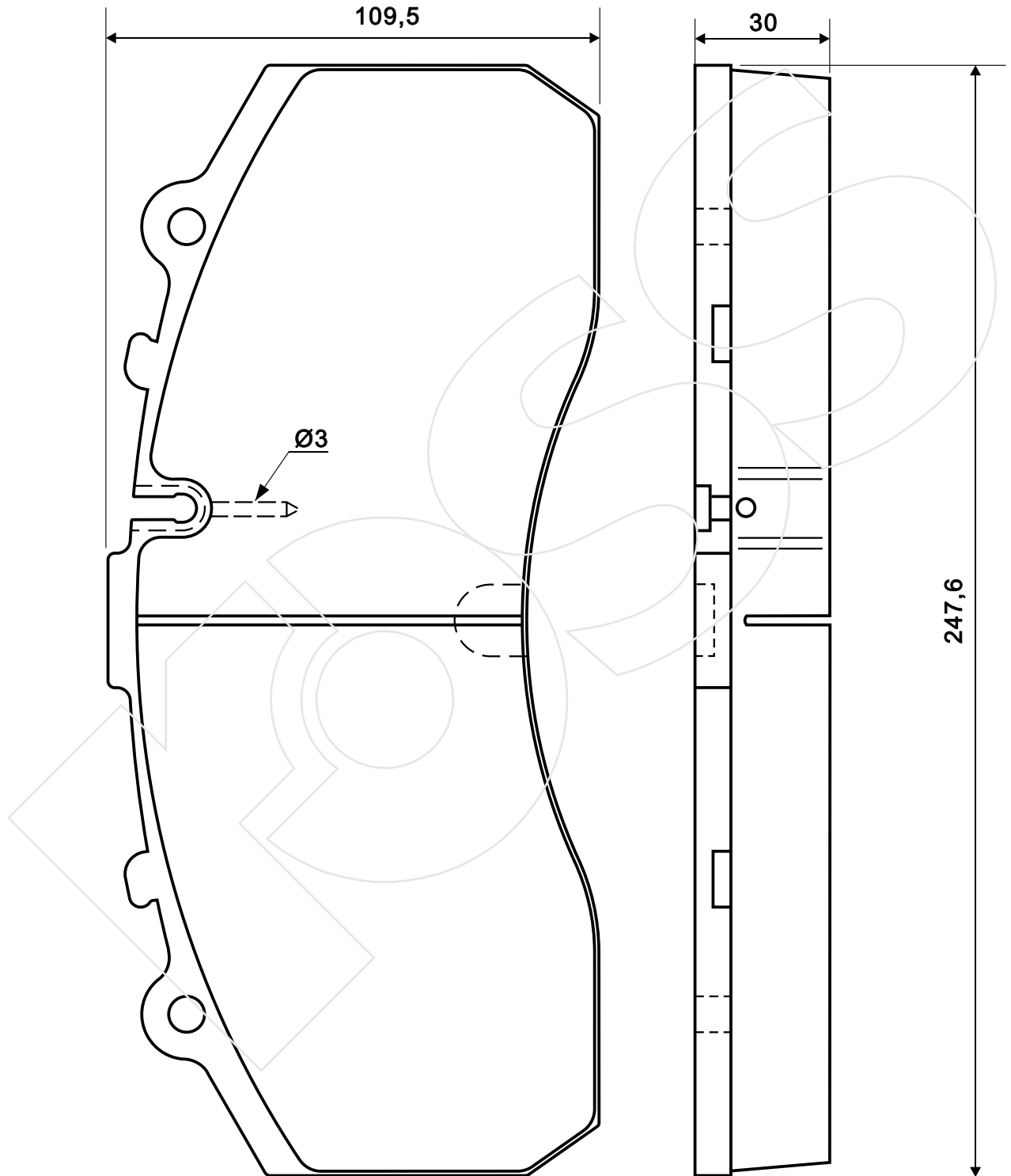
Reference in this Catalogue to other manufactures and to part numbers and other descriptions are for identification purposes only, because the above DISC BRAKE PADS are NOT ORIGINAL but with these interchangeable.

CODICE	IMPIANTO		ASSE	SCALA	APPLICAZIONI
R-5315	KNOR		ANTERIORE	90%	BPW
CODICE COMPONENTI	N°	L(mm)	SERIE		KNORR
*	*	*	4 PEZZI		
*	*	*	*		
*	*	*	*		
*	*	*	*		
CODICE ACCESSORI	N°	L(mm)	NOTE		
*	*	*			
*	*	*			
*	*	*			
*	*	*			



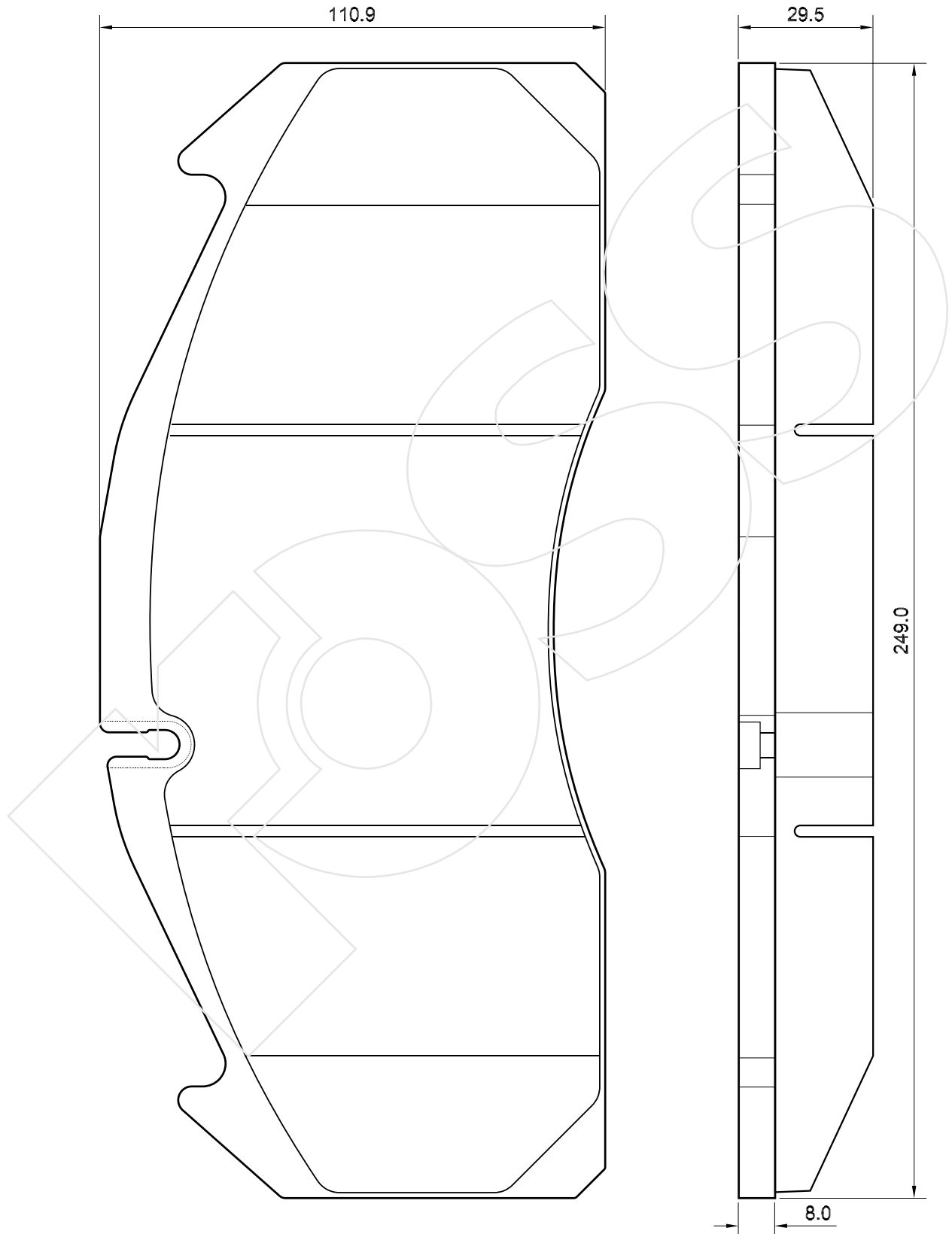
Reference in this Catalogue to other manufactures and to part numbers and other descriptions are for identification purposes only, because the above DISC BRAKE PADS are NOT ORIGINAL but with these interchangeable.

CODICE	IMPIANTO		ASSE	SCALA	APPLICAZIONI
R-5316	KNORR		ANTERIORE	75%	DAF MERCEDES SCANIA
CODICE COMPONENTI	N°	L(mm)	SERIE		
*	*	*	4 PEZZI		
*	*	*	*		
*	*	*	*		
*	*	*	*		
*	*	*	*		
CODICE ACCESSORI	N°	L(mm)	NOTE		
*	*	*			
*	*	*			
*	*	*			
*	*	*			



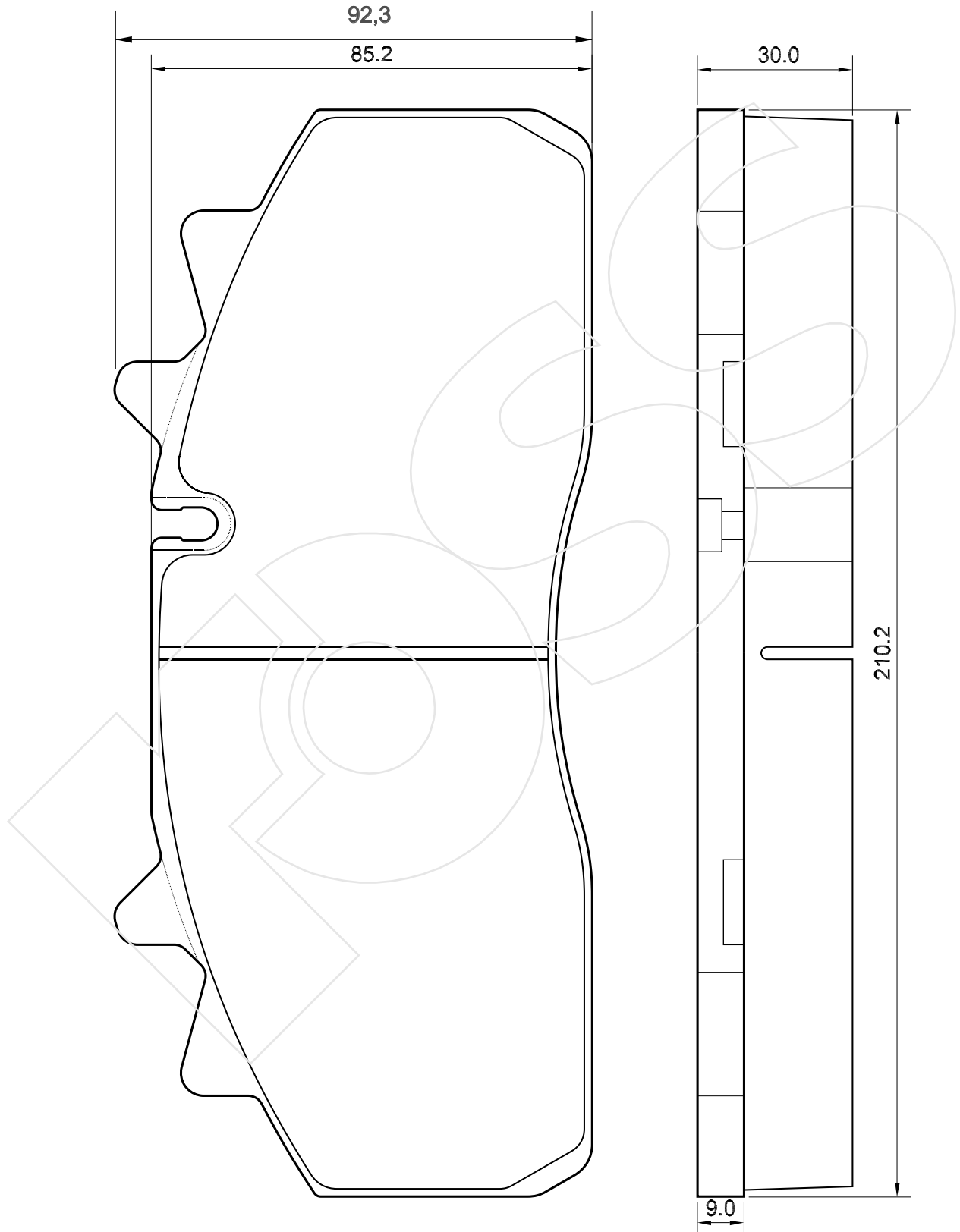
Reference in this Catalogue to other manufactures and to part numbers and other descriptions are for identification purposes only, because the above DISC BRAKE PADS are NOT ORIGINAL but with these interchangeable.

CODICE	IMPIANTO		ASSE	SCALA	APPLICAZIONI
R-5317	LUCAS		ANTERIORE	80%	VOLVO
CODICE COMPONENTI	N°	L(mm)	SERIE		
*	*	*	4 PEZZI		
*	*	*			
*	*	*			
*	*	*			
CODICE ACCESSORI	N°	L(mm)	NOTE		
*	*	*			
*	*	*			
*	*	*			
*	*	*			



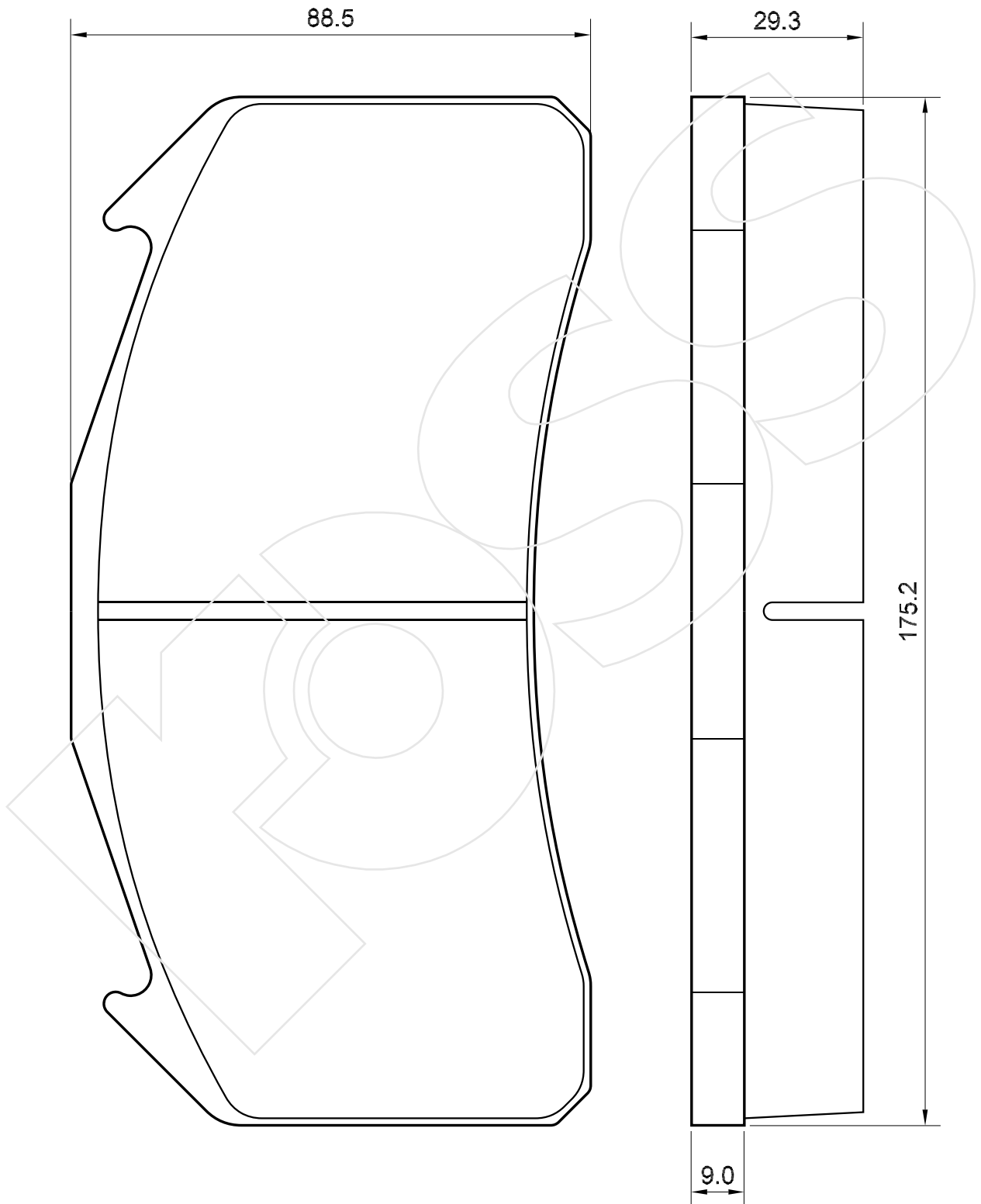
Reference in this Catalogue to other manufactures and to part numbers and other descriptions are for identification purposes only, because the above DISC BRAKE PADS are NOT ORIGINAL but with these interchangeable.

CODICE	IMPIANTO		ASSE	SCALA	APPLICAZIONI
R-5318	WABCO		ANTERIORE/POSTERIORE	90%	DAF
CODICE COMPONENTI	N°	L(mm)	SERIE		
*	*	*	4 PEZZI		
*	*	*			
*	*	*			
*	*	*			
CODICE ACCESSORI	N°	L(mm)	NOTE		
*	*	*			
*	*	*			
*	*	*			
*	*	*			

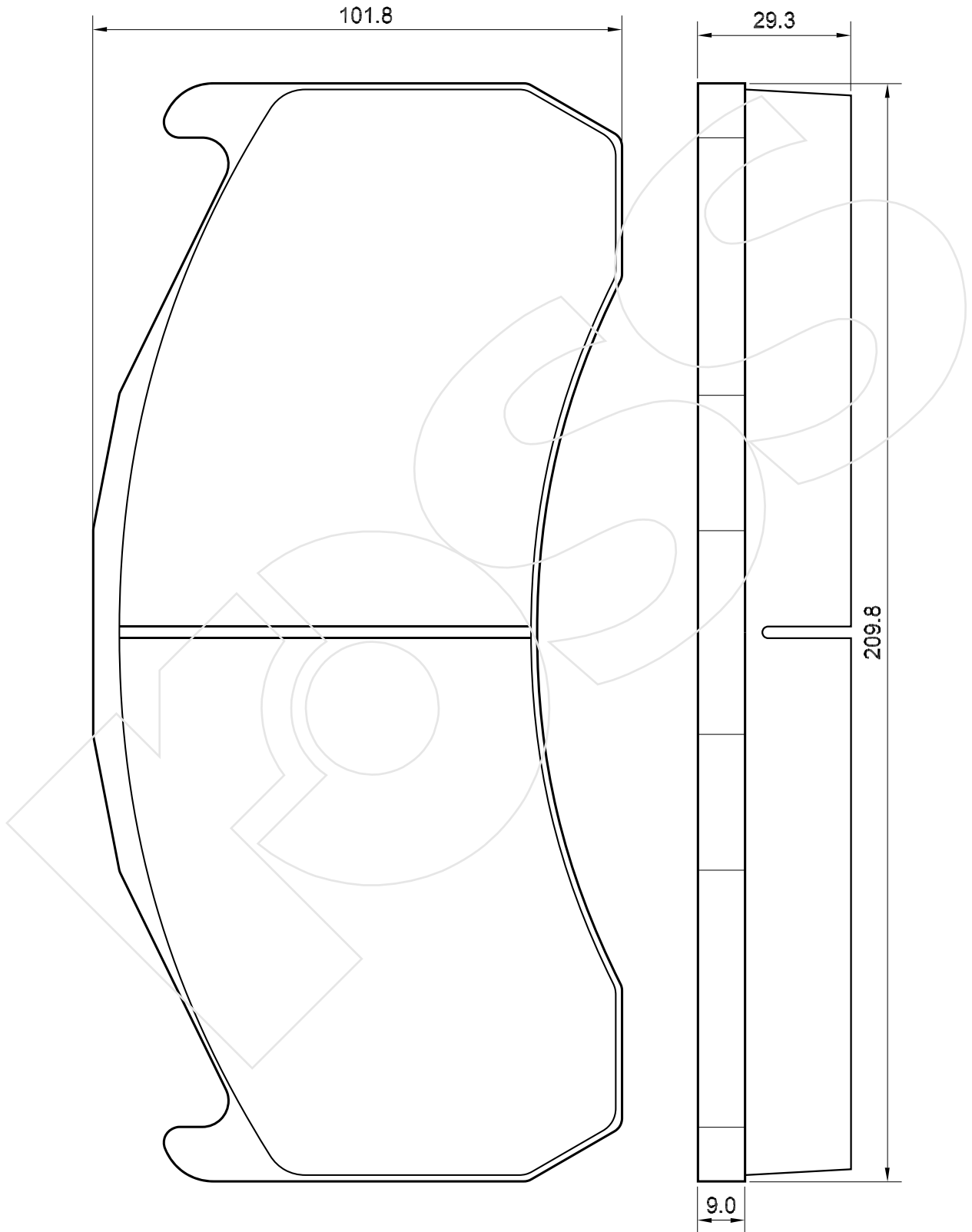


Reference in this Catalogue to other manufactures and to part numbers and other descriptions are for identification purposes only, because the above DISC BRAKE PADS are NOT ORIGINAL but with these interchangeable.

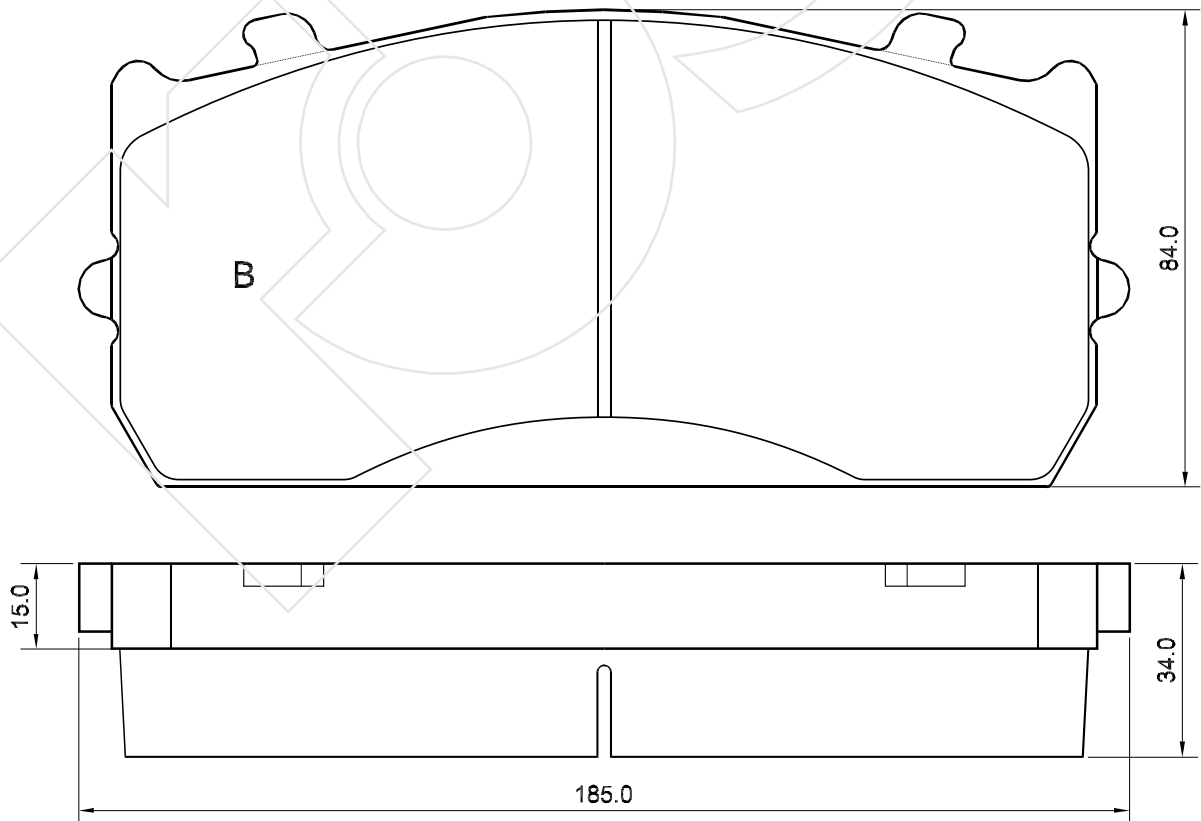
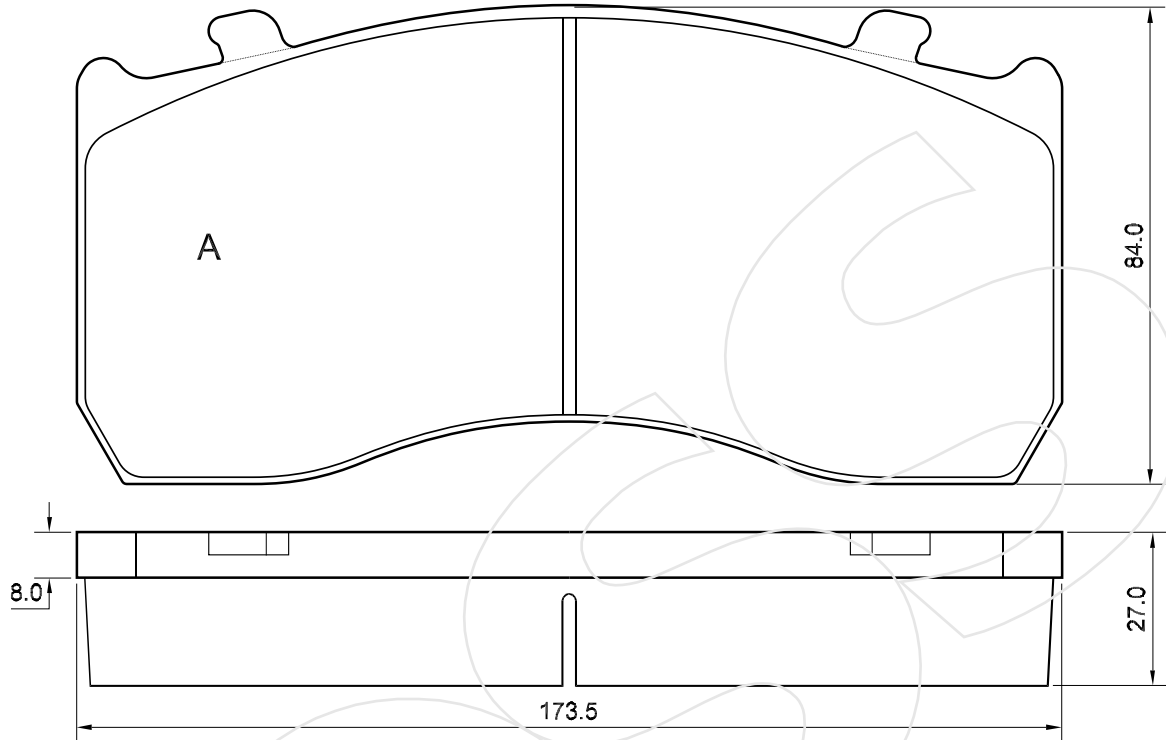
CODICE	IMPIANTO		ASSE	SCALA	APPLICAZIONI
R-5319	LUCAS		ANTERIORE/POSTERIORE	1:1	MERITOR:
CODICE COMPONENTI	N°	L(mm)	SERIE		VOLVO:
*	*	*	4 PEZZI		
*	*	*	*		
*	*	*	*		
*	*	*	*		
CODICE ACCESSORI	N°	L(mm)	NOTE		
*	*	*			
*	*	*			
*	*	*			
*	*	*			



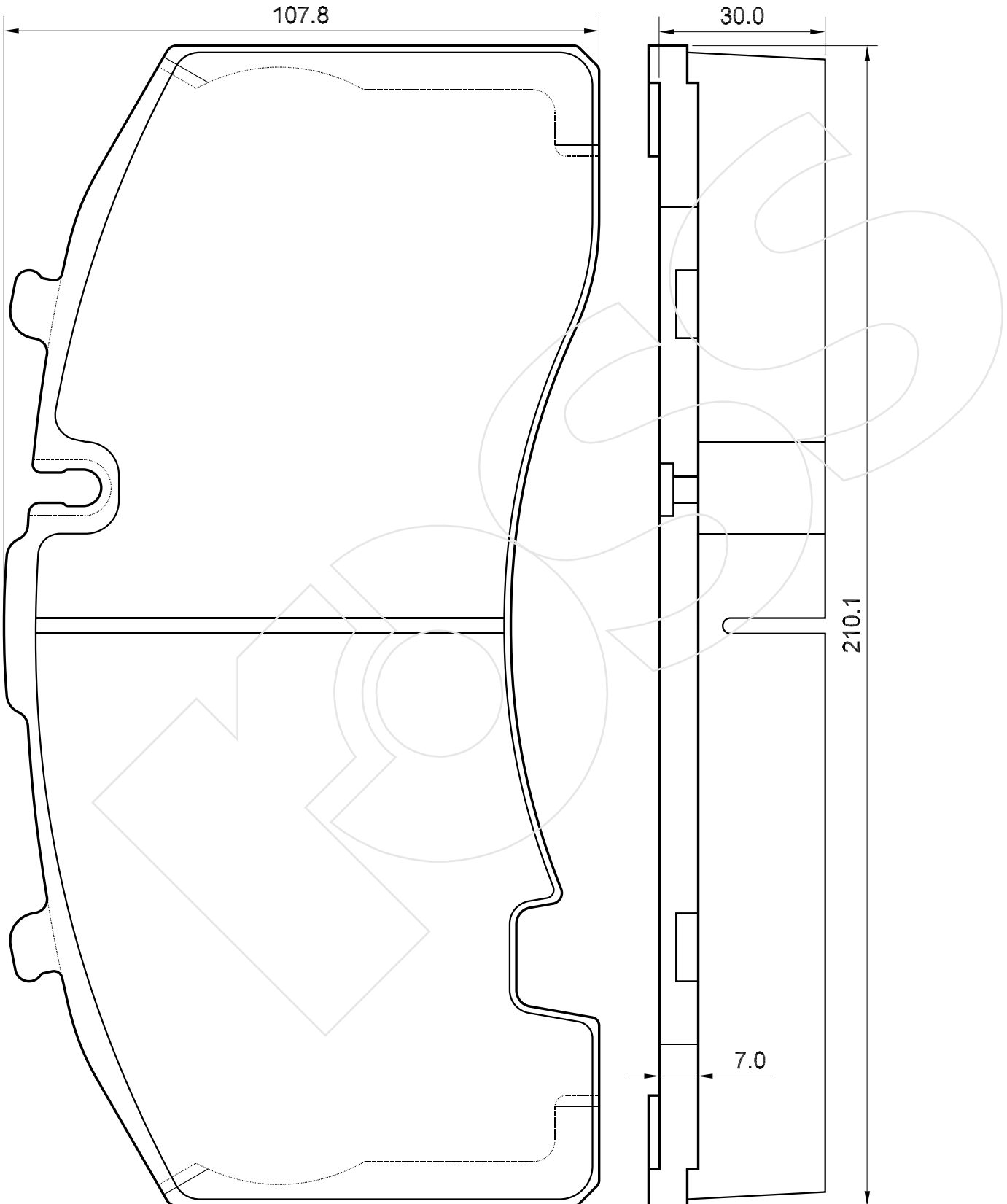
CODICE	IMPIANTO		ASSE	SCALA	APPLICAZIONI
R-5320	LUCAS		ANTERIORE/POSTERIORE	90%	MERITOR:
CODICE COMPONENTI	N°	L(mm)	SERIE		VOLVO
*	*	*	4 PEZZI		
*	*	*	*		
*	*	*	*		
*	*	*	*		
CODICE ACCESSORI	N°	L(mm)	NOTE		
*	*	*			
*	*	*			
*	*	*			
*	*	*			



CODICE	IMPIANTO		ASSE	SCALA	APPLICAZIONI
R-5321	KNORR		ANTERIORE/POSTERIORE	75%	MERCEDES
CODICE COMPONENTI	N°	L(mm)	SERIE		
*	*	*	2 PEZZI TIPO A		
*	*	*	2 PEZZI TIPO B		
*	*	*	*		
*	*	*	*		
CODICE ACCESSORI	N°	L(mm)	NOTE		
*	*	*			
*	*	*			
*	*	*			
*	*	*			

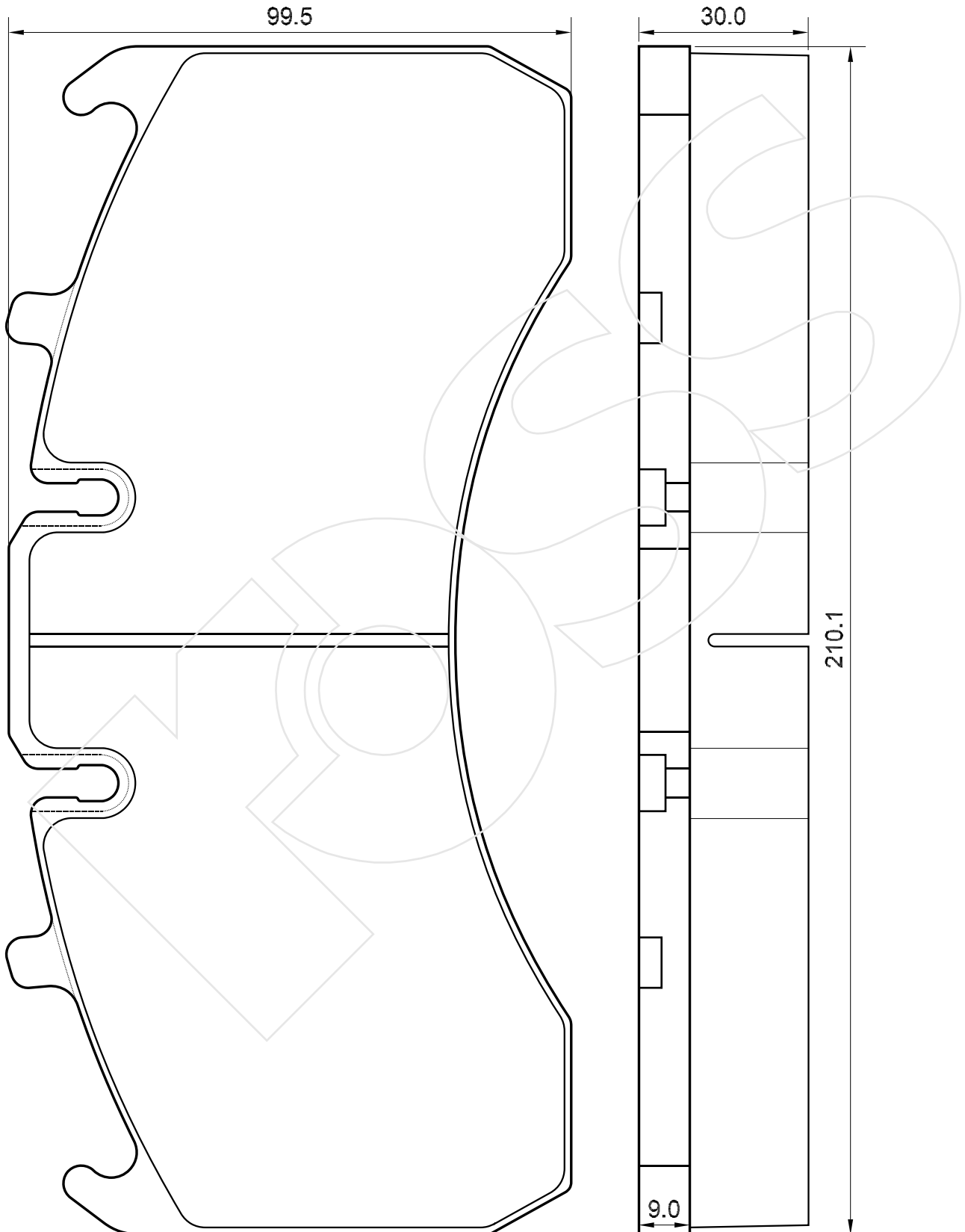


CODICE	IMPIANTO		ASSE	SCALA	APPLICAZIONI
R-5322	KNORR		ANTERIORE / POSTERIORE	1:1	BPW
CODICE COMPONENTI	N°	L(mm)	SERIE		
*	*	*	4 PEZZI		
*	*	*	*		
*	*	*	*		
*	*	*	*		
CODICE ACCESSORI	N°	L(mm)	NOTE		
*	*	*			
*	*	*			
*	*	*			



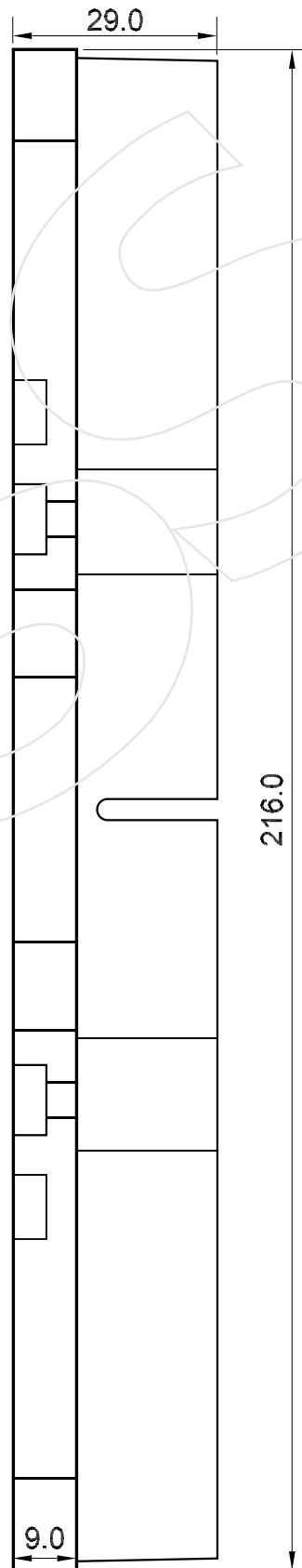
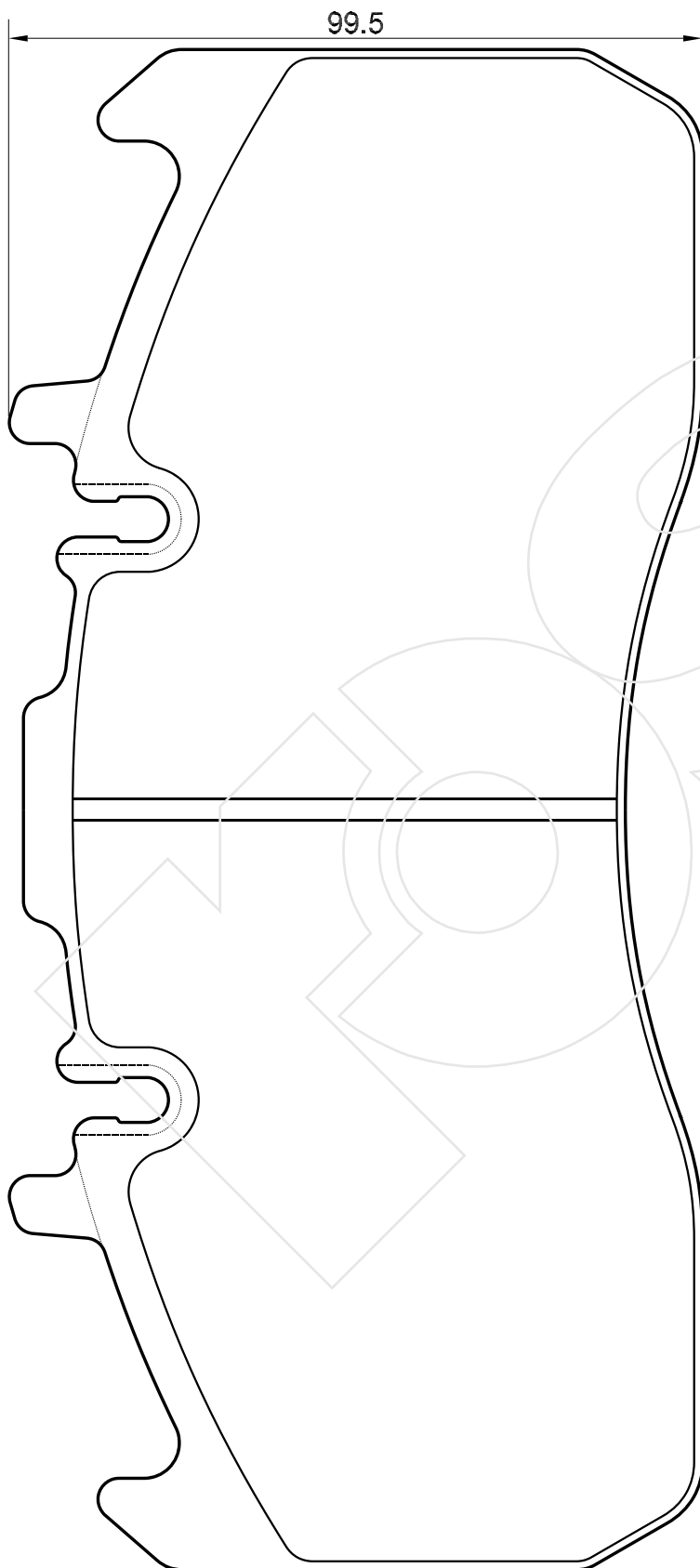
Reference in this Catalogue to other manufactures and to part numbers and other descriptions are for identification purposes only, because the above DISC BRAKE PADS are NOT ORIGINAL but with these interchangeable.

CODICE	IMPIANTO		ASSE	SCALA	APPLICAZIONI
R-5323	MERITOR		ANTERIORE/POSTERIORE	1:1	RENAULT
CODICE COMPONENTI	N°	L(mm)	SERIE		
*	*	*	4 PEZZI		
*	*	*	*		
*	*	*	*		
*	*	*	*		
CODICE ACCESSORI	N°	L(mm)	NOTE		
*	*	*			
*	*	*			
*	*	*			
*	*	*			

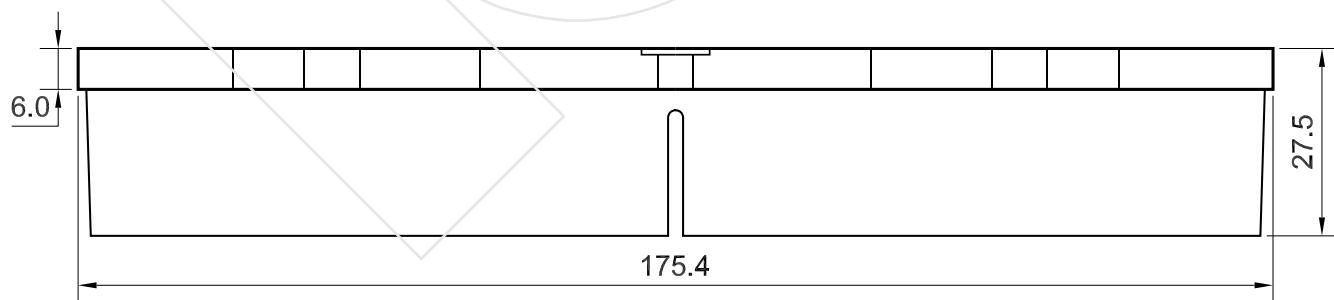
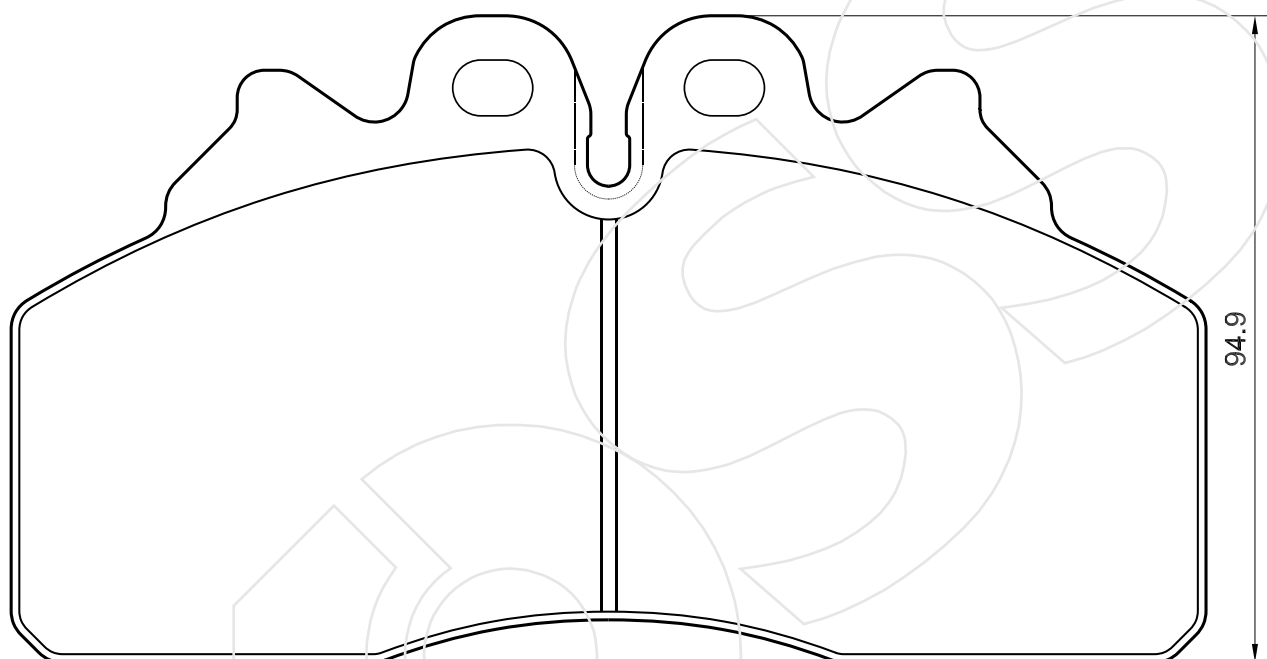


Reference in this Catalogue to other manufactures and to part numbers and other descriptions are for identification purposes only, because the above DISC BRAKE PADS are NOT ORIGINAL but with these interchangeable.

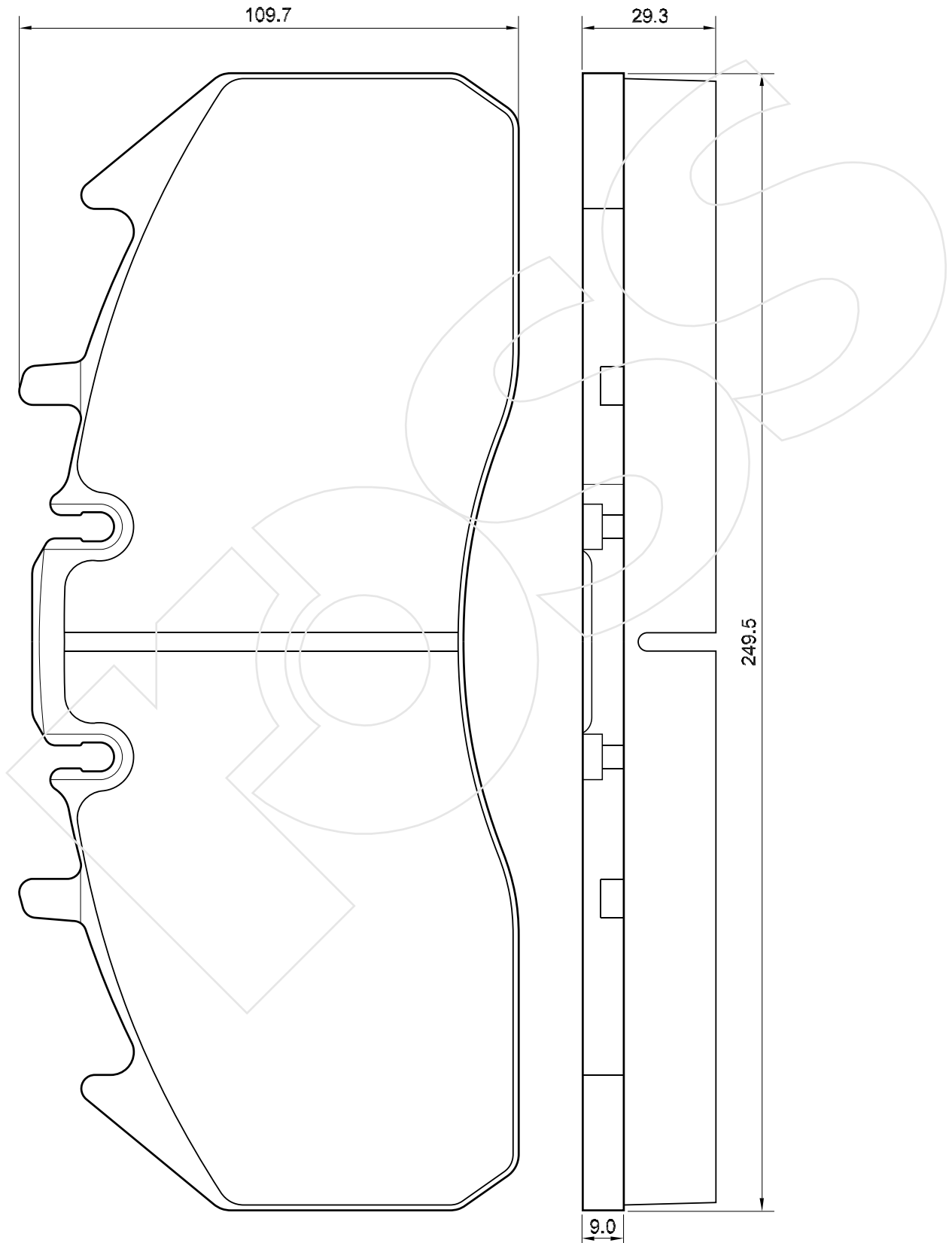
CODICE	IMPIANTO		ASSE	SCALA	APPLICAZIONI
R-5324	MERITOR		ANTERIORE/POSTERIORE	1:1	RENAULT
CODICE COMPONENTI	N°	L(mm)	SERIE		VOLVO
*	*	*	4 PEZZI		
*	*	*			
*	*	*			
*	*	*			
CODICE ACCESSORI	N°	L(mm)	NOTE		
*	*	*			
*	*	*			
*	*	*			
*	*	*			



CODICE	IMPIANTO		ASSE	SCALA	APPLICAZIONI
R-5325	BREMBO		ANTERIORE	1:1	IVECO EUROCARGO 75 E18
CODICE COMPONENTI	N°	L(mm)	SERIE		FMSI: W.V.A.: O.E.:
*	*	*	4 PEZZI		
*	*	*	*		
*	*	*	*		
*	*	*	*		
CODICE ACCESSORI	N°	L(mm)	NOTE		
*	*	*			
*	*	*			
*	*	*			
*	*	*			

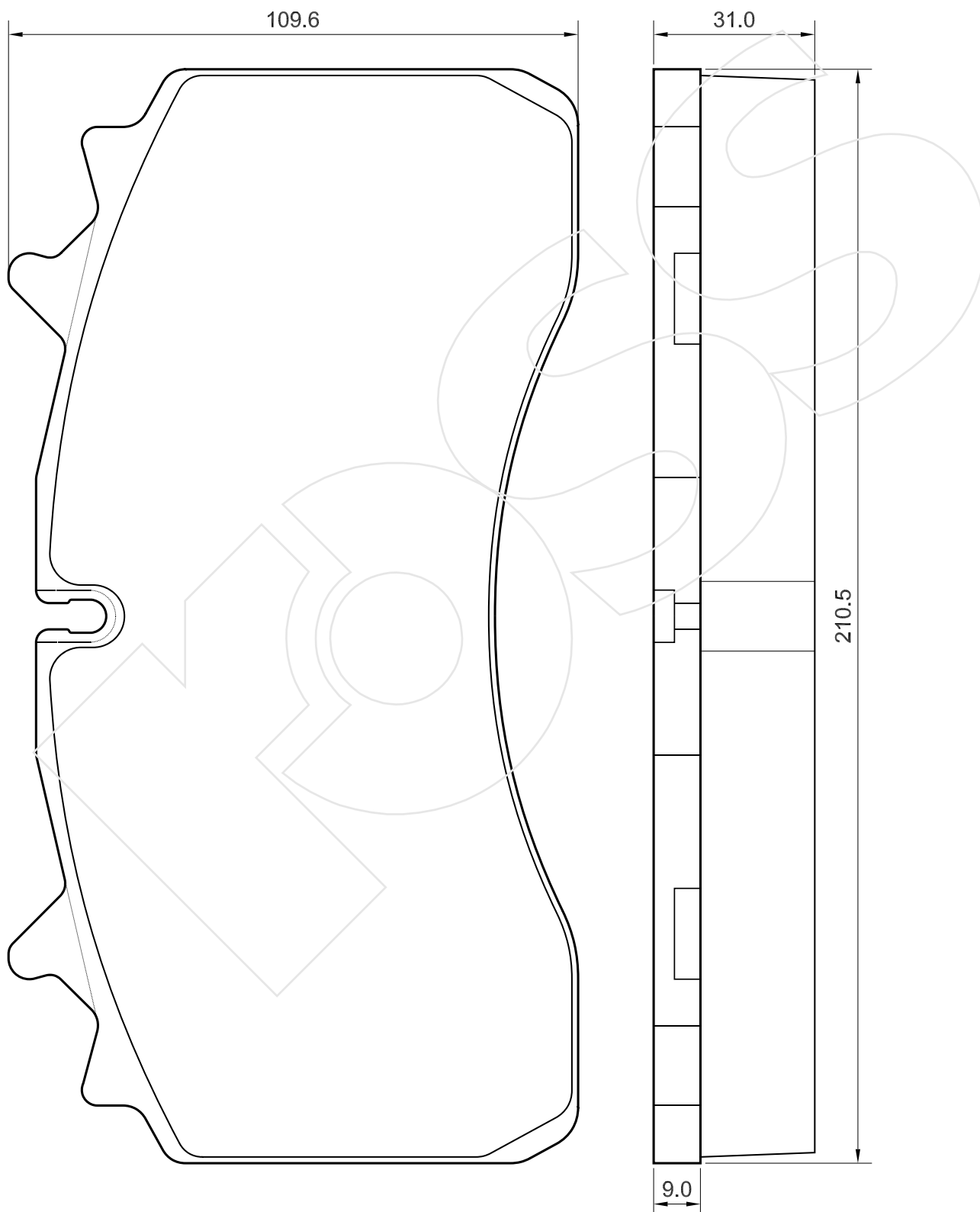


CODICE	IMPIANTO		ASSE	SCALA	APPLICAZIONI
R-5326	MERITOR		ANTERIORE	80%	RENAULT MAGNUM Dxi
CODICE COMPONENTI	N°	L(mm)	SERIE		10/04-
*	*	*	4 PEZZI		
*	*	*			
*	*	*			
*	*	*			
CODICE ACCESSORI	N°	L(mm)	NOTE		
*	*	*			FMSI:
*	*	*			W.V.A.:29174
*	*	*			O.E.:5001864363
*	*	*			

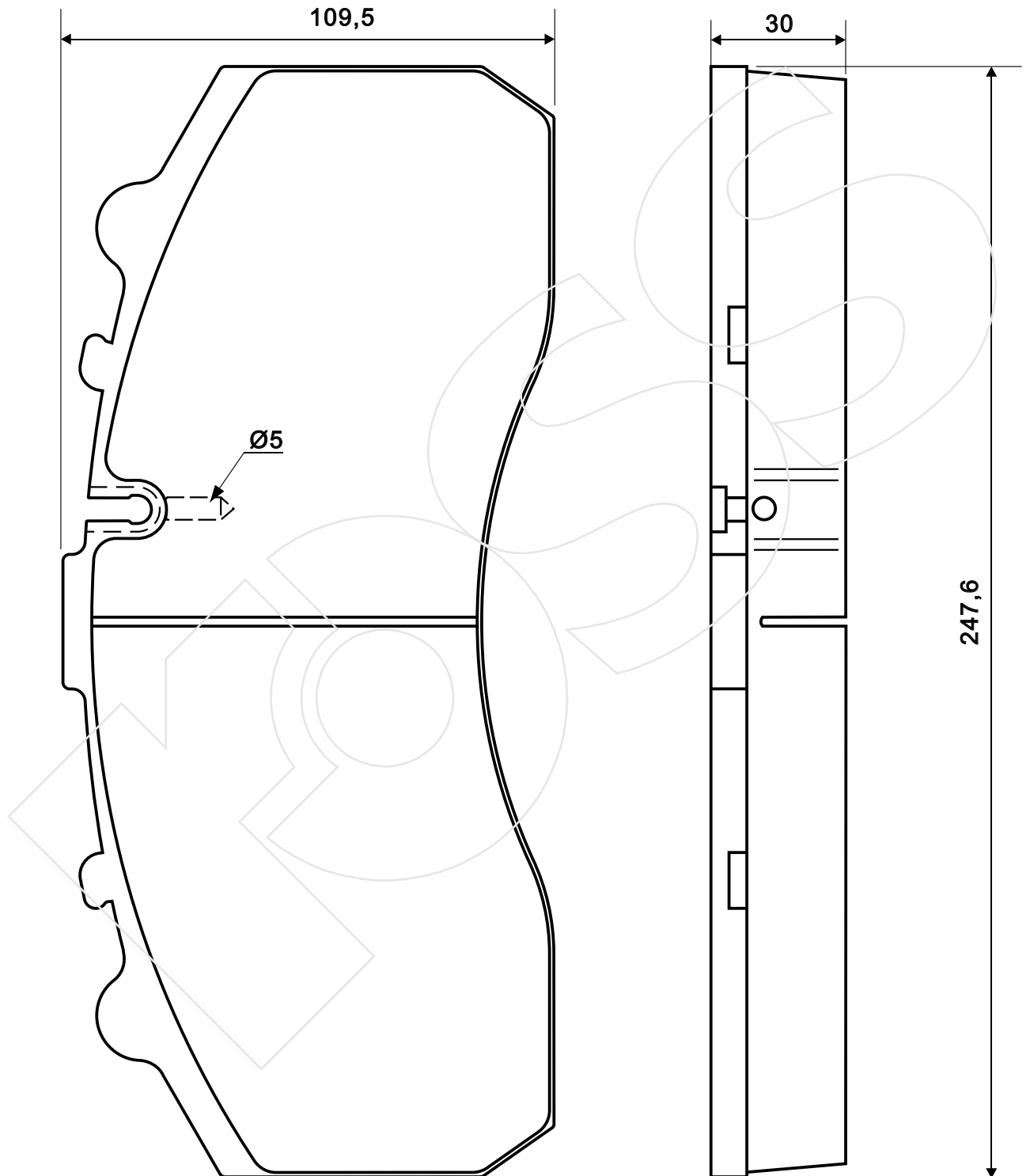


CODICE	IMPIANTO		ASSE	SCALA	APPLICAZIONI
R-5327	*		ANTERIORE	90%	SAF
CODICE COMPONENTI	N°	L(mm)	SERIE		
*	*	*	4 PEZZI		
*	*	*	*		
*	*	*	*		
*	*	*	*		
CODICE ACCESSORI	N°	L(mm)	NOTE		
*	*	*			
*	*	*			
*	*	*			
*	*	*			

FMSI:
W.V.A.:29162
O.E.:

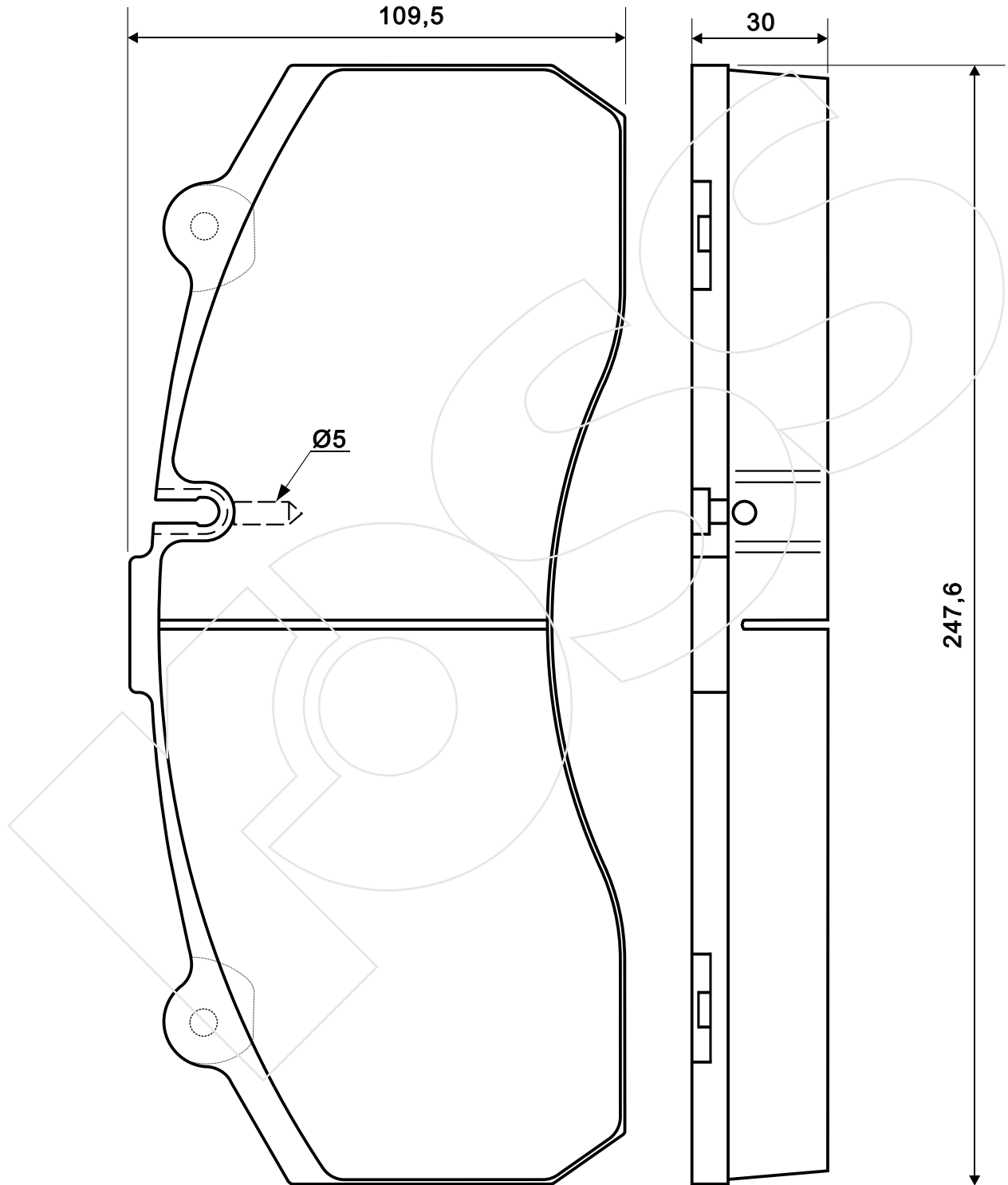


CODICE	IMPIANTO		ASSE	SCALA	APPLICAZIONI
R-5328	KNORR		ANTERIORE	75%	BOVA BPW IVECO MERCEDES SCANIA
CODICE COMPONENTI	N°	L(mm)	SERIE		
*	*	*	4 PEZZI		
*	*	*	*		
*	*	*	*		
CODICE ACCESSORI	N°	L(mm)	NOTE		FMSI: W.V.A.:29202 O.E.:1906439
*	*	*	*		
*	*	*	*		
*	*	*	*		



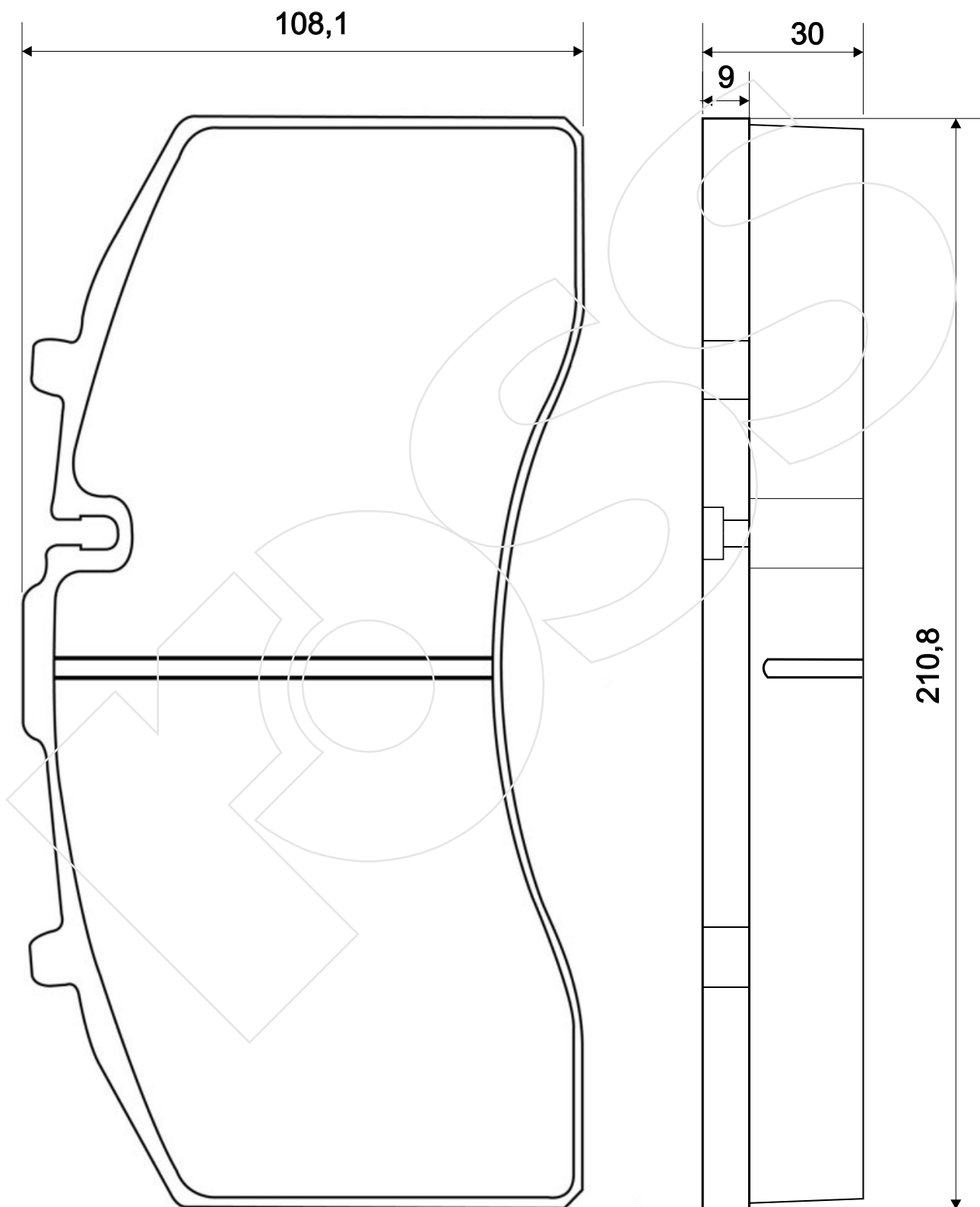
Reference in this Catalogue to other manufactures and to part numbers and other descriptions are for identification purposes only, because the above DISC BRAKE PADS are NOT ORIGINAL but with these interchangeable.

CODICE	IMPIANTO		ASSE	SCALA	APPLICAZIONI	
R-5329	KNORR		ANTERIORE	75%	DAF	LF 55
CODICE COMPONENTI	N°	L(mm)	SERIE			
*	*	*	4 PEZZI			
*	*	*				
*	*	*				
*	*	*				
CODICE ACCESSORI	N°	L(mm)	NOTE			
*	*	*				
*	*	*				
*	*	*				
*	*	*				
					FMSI: W.V.A.:29179 O.E.:1439324	

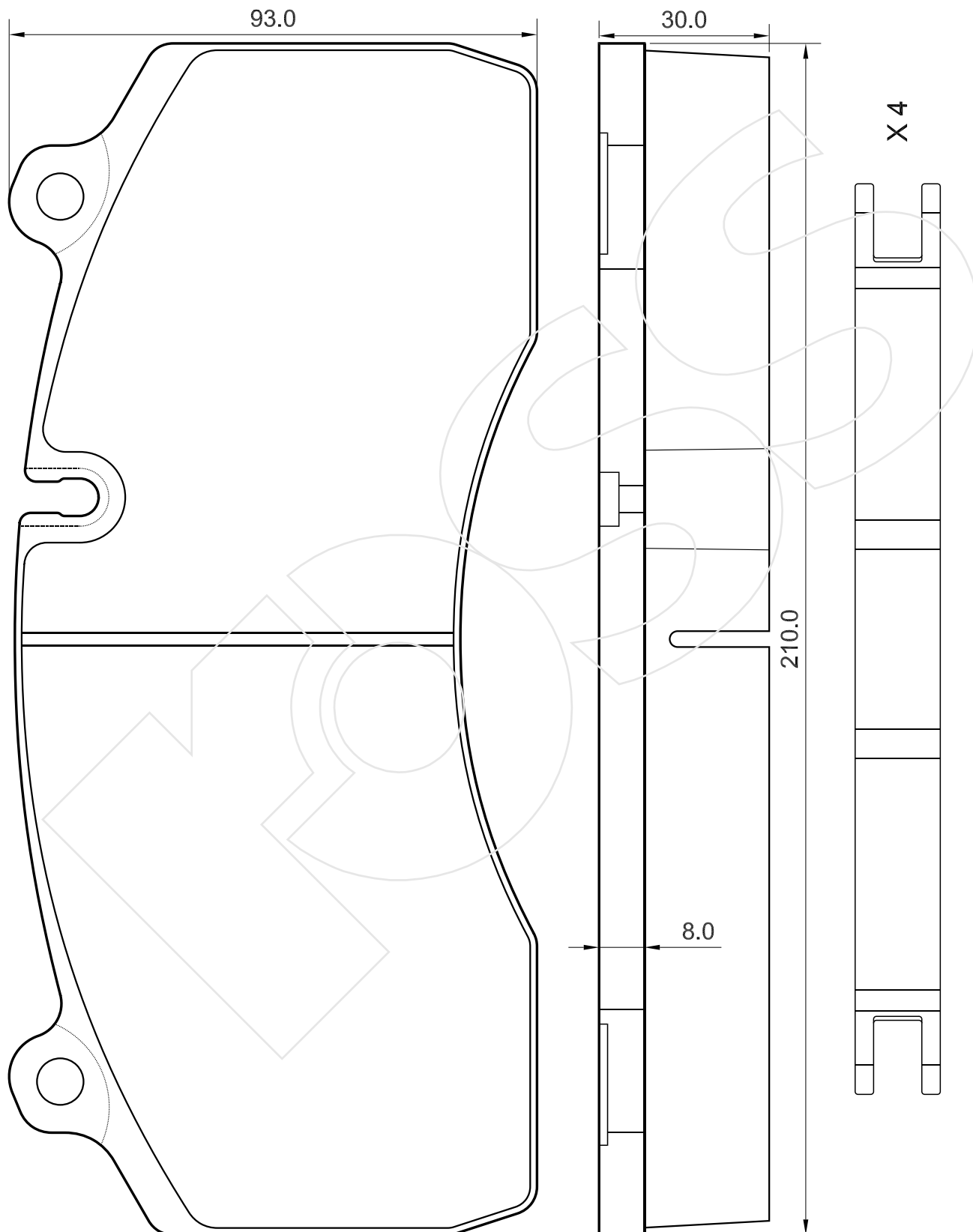


Reference in this Catalogue to other manufactures and to part numbers and other descriptions are for identification purposes only, because the above DISC BRAKE PADS are NOT ORIGINAL but with these interchangeable.

CODICE	IMPIANTO		ASSE	SCALA	APPLICAZIONI
R-5330	KNORR		ANTERIORE/POSTERIORE	90%	SAF/SAUER
CODICE COMPONENTI	N°	L(mm)	SERIE		
*	*	*	4 PEZZI		
*	*	*	*		
*	*	*	*		
*	*	*	*		
CODICE ACCESSORI	N°	L(mm)	NOTE		
*	*	*			
*	*	*			
*	*	*			
*	*	*			

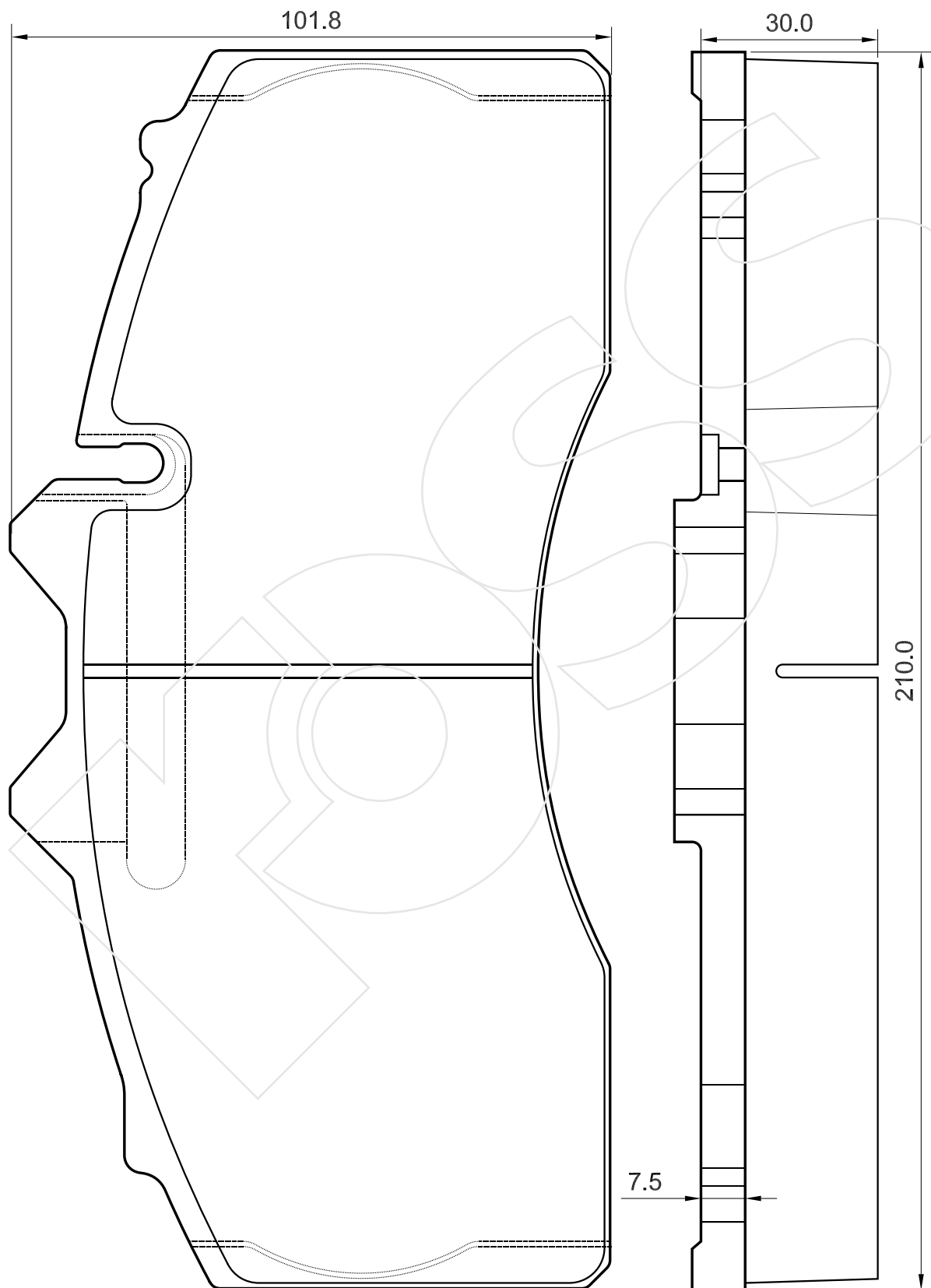


CODICE	IMPIANTO		ASSE	SCALA	APPLICAZIONI
R-5333	HALDEX		ANTERIORE/POSTERIORE	100%	RENAULT
CODICE COMPONENTI	N°	L(mm)	SERIE		VOLVO
M0000	4	*	4 PEZZI		
*	*	*	*		
*	*	*	*		
CODICE ACCESSORI	N°	L(mm)	NOTE		
*	*	*			
*	*	*			
*	*	*			
*	*	*			



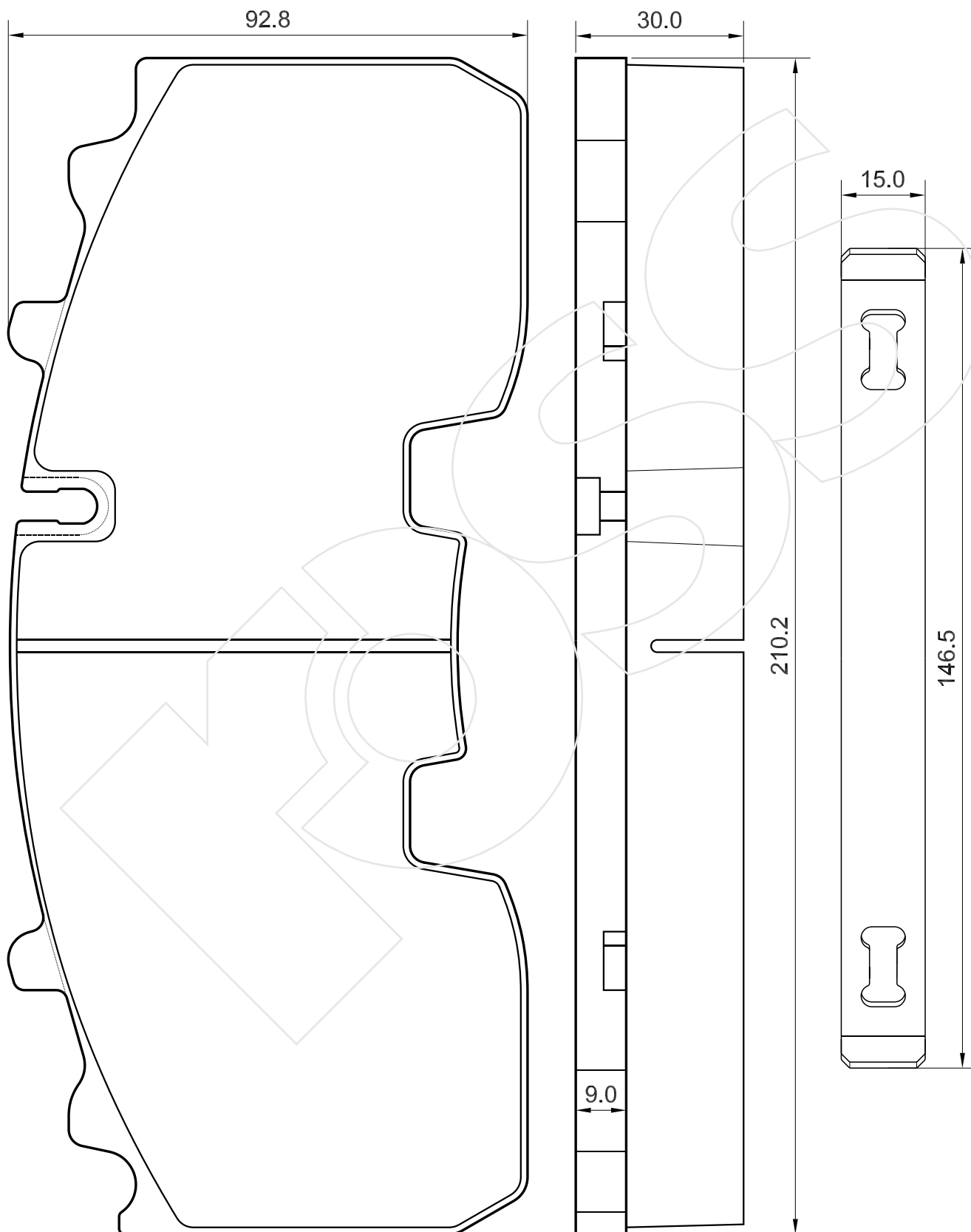
Reference in this Catalogue to other manufactures and to part numbers and other descriptions are for identification purposes only, because the above DISC BRAKE PADS are NOT ORIGINAL but with these interchangeable.

CODICE	IMPIANTO		ASSE	SCALA	APPLICAZIONI
R-5334	BPW		ANTERIORE/POSTERIORE	100%	BPW
CODICE COMPONENTI	N°	L(mm)	SERIE		
*	*	*	4 PEZZI		
*	*	*	*		
*	*	*	*		
*	*	*	*		
CODICE ACCESSORI	N°	L(mm)	NOTE		
*	*	*			
*	*	*			
*	*	*			
*	*	*			



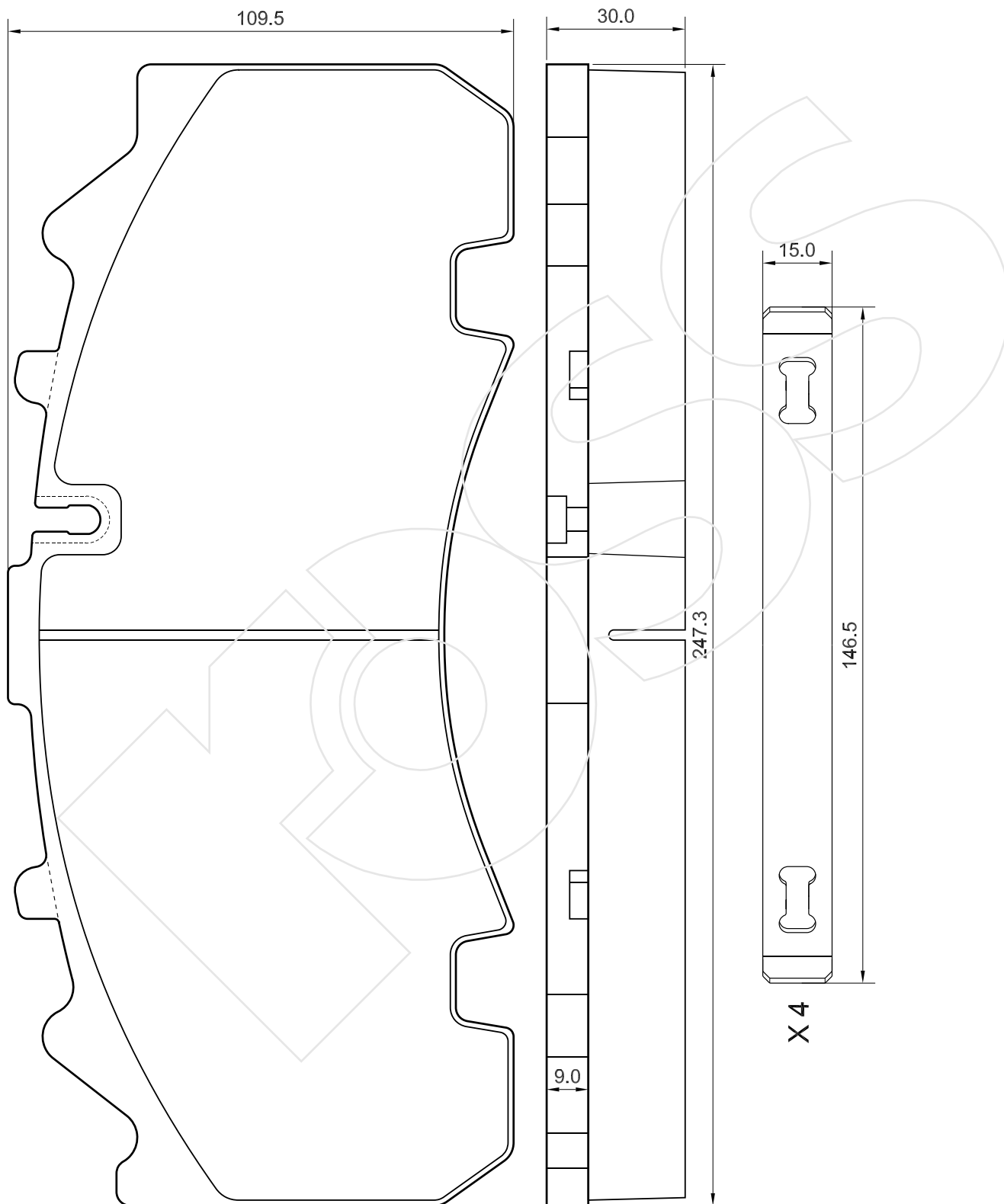
Reference in this Catalogue to other manufactures and to part numbers and other descriptions are for identification purposes only, because the above DISC BRAKE PADS are NOT ORIGINAL but with these interchangeable.

CODICE	IMPIANTO		ASSE	SCALA	APPLICAZIONI
R-5336	KNORR		POSTERIORE	100%	BPW
CODICE COMPONENTI	N°	L(mm)	SERIE		
M0305	4	*	4 PEZZI		
*	*	*	*		
*	*	*	*		
*	*	*	*		
CODICE ACCESSORI	N°	L(mm)	NOTE		
*	*	*			
*	*	*			
*	*	*			
*	*	*			



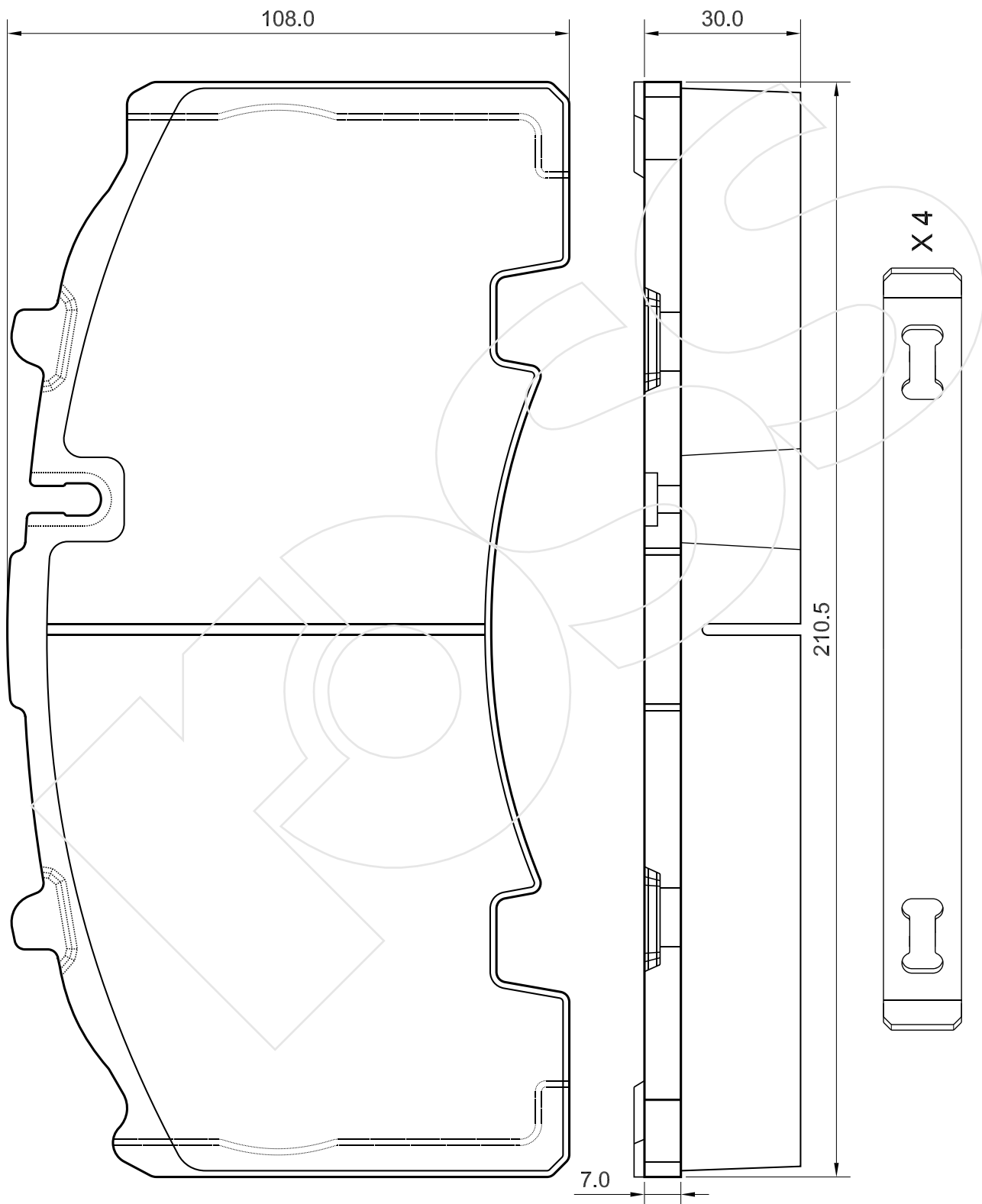
Reference in this Catalogue to other manufactures and to part numbers and other descriptions are for identification purposes only, because the above DISC BRAKE PADS are NOT ORIGINAL but with these interchangeable.

CODICE	IMPIANTO		ASSE	SCALA	APPLICAZIONI
R-5337	KNORR		POSTERIORE	80%	BPW
CODICE COMPONENTI	N°	L(mm)	SERIE		
M0305	4	*	4 PEZZI		
*	*	*	*		
*	*	*	*		
*	*	*	*		
CODICE ACCESSORI	N°	L(mm)	NOTE		
*	*	*			
*	*	*			
*	*	*			
*	*	*			



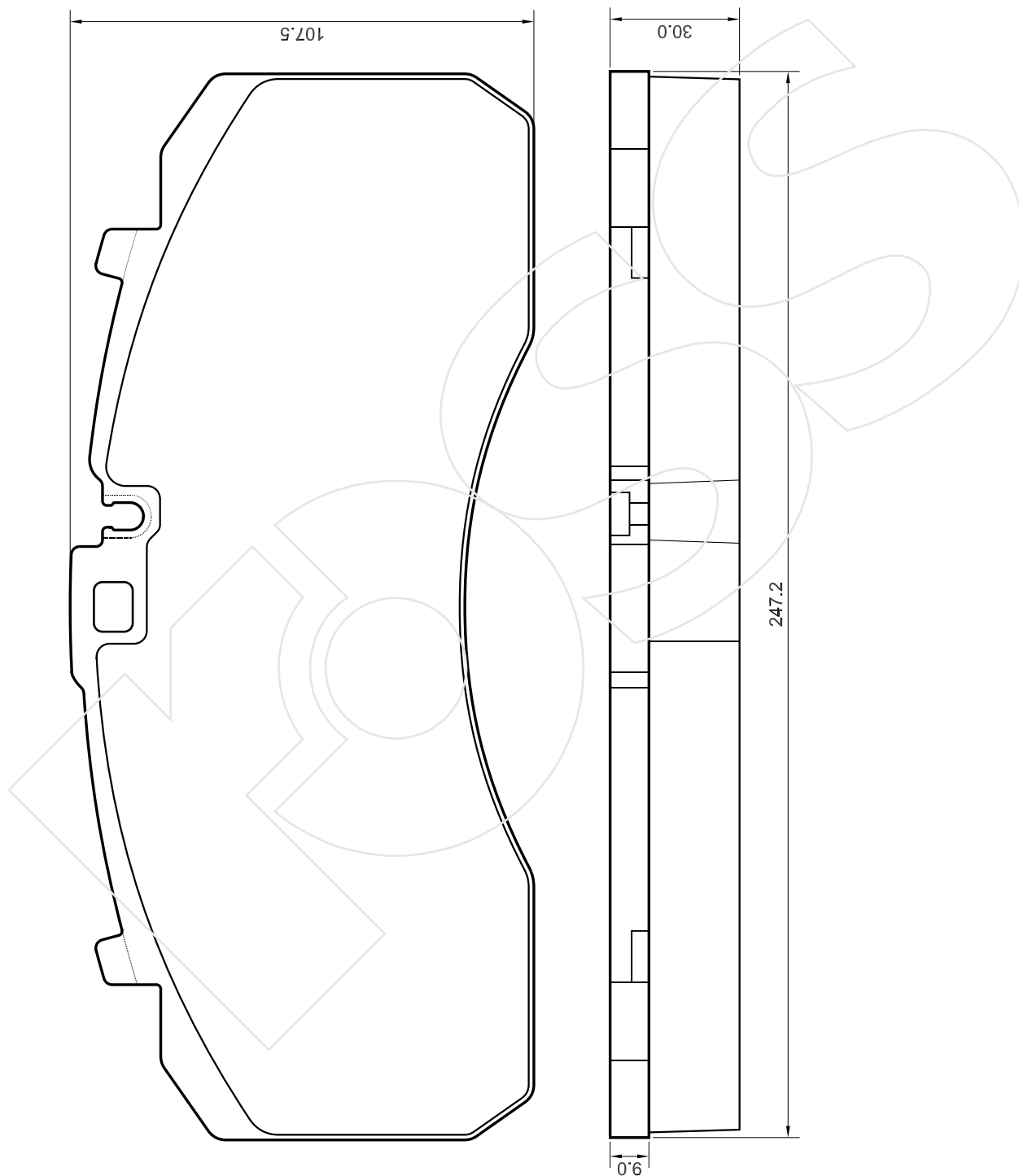
Reference in this Catalogue to other manufactures and to part numbers and other descriptions are for identification purposes only, because the above DISC BRAKE PADS are NOT ORIGINAL but with these interchangeable.

CODICE	IMPIANTO		ASSE	SCALA	APPLICAZIONI
R-5338	KNORR		POSTERIORE	90%	BPW
CODICE COMPONENTI	N°	L(mm)	SERIE		
M0305	4	*	4 PEZZI		
*	*	*	*		
*	*	*	*		
*	*	*	*		
CODICE ACCESSORI	N°	L(mm)	NOTE		
*	*	*			
*	*	*			
*	*	*			
*	*	*			



Reference in this Catalogue to other manufactures and to part numbers and other descriptions are for identification purposes only, because the above DISC BRAKE PADS are NOT ORIGINAL but with these interchangeable.

CODICE	IMPIANTO		ASSE	SCALA	APPLICAZIONI
R-5339	KNORR		ANTERIORE/POSTERIORE	70%	BOVA DAF IVECO MAN MERCEDES SCANIA SETRA
CODICE COMPONENTI	N°	L(mm)	SERIE		
*	*	*	4 PEZZI		
*	*	*	*		
*	*	*	*		
*	*	*	*		
CODICE ACCESSORI	N°	L(mm)	NOTE		
*	*	*			
*	*	*			
*	*	*			
*	*	*			



Reference in this Catalogue to other manufactures and to part numbers and other descriptions are for identification purposes only, because the above DISC BRAKE PADS are NOT ORIGINAL but with these interchangeable.